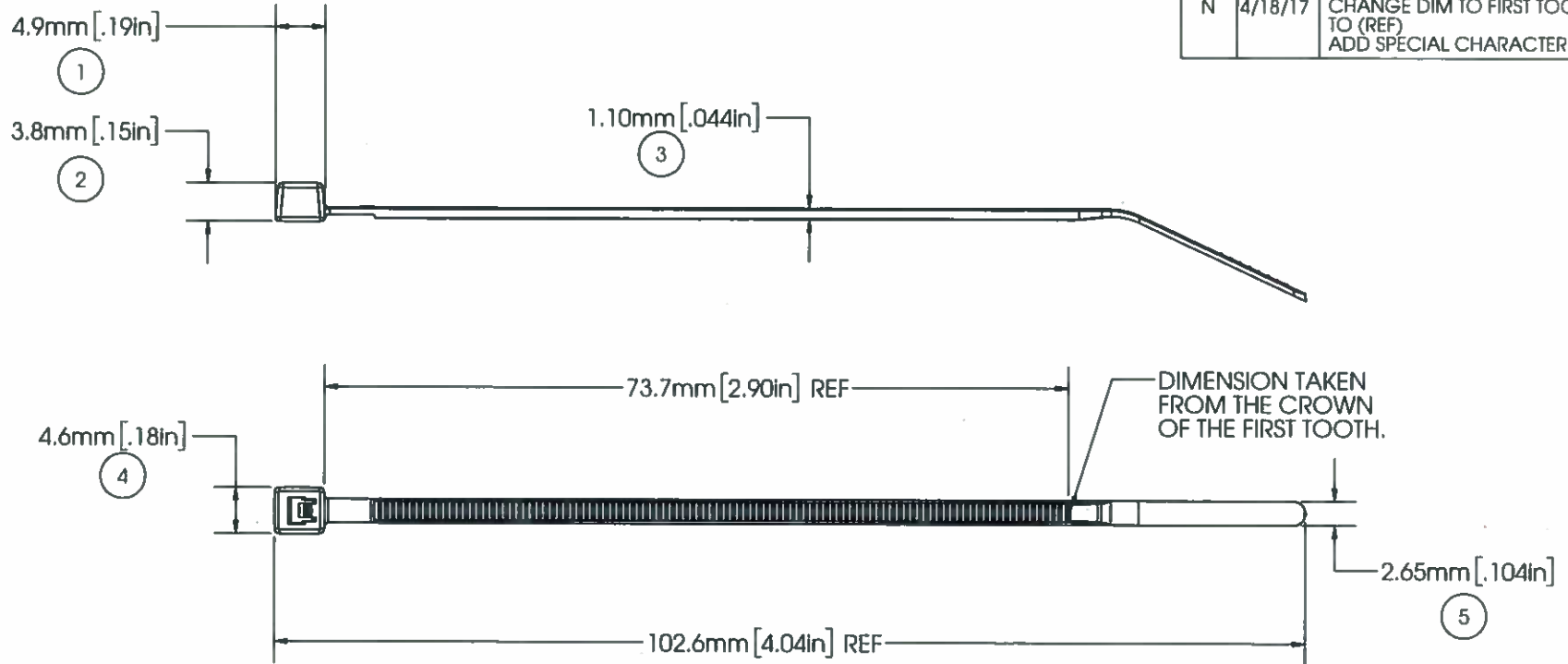


AVERY DENNISON MARKETING SPECIFICATION

HISTORY

THE SUBJECT MATTER DISCLOSED HEREIN EMBODIES PROPRIETARY INFORMATION WHICH IS THE CONFIDENTIAL PROPERTY OF THE AVERY DENNISON CO. NONE OF WHICH SHALL BE COPIED, REPRODUCED, DISCLOSED TO OTHERS, PUBLISHED OR USED IN WHOLE OR IN PART, FOR ANY PURPOSE OTHER THAN THAT FOR WHICH IT IS BEING MADE AVAILABLE WITHOUT THE EXPRESS ADVANCE WRITTEN PERMISSION OF A DULY AUTHORIZED AGENT OF THE COMPANY. THIS DOCUMENT IS THE PROPERTY OF THE AVERY DENNISON CO. AND IS TO BE RETURNED TO THE COMPANY ON DEMAND.

REV.	DATE	DESCRIPTION
M	01-27-15	REDRAWN IN NEW FORMAT. ADDED UL LOGO. CHG. DIM 1 TO BE TAKEN FROM BOTTOM OF HEAD. UPDATED DIM 5
N	4/18/17	CHANGE DIM TO FIRST TOOTH TO (REF) ADD SPECIAL CHARACTERISTICS



⑥	△ FLAMMABILITY RATING:	HB RATED PER FMVSS302
⑦	△ TENSILE STRENGTH:	18 lbs./80N MIN. PER AS-23190
	MILITARY STANDARD:	MS-3367-4-9
	OPERATING TEMP RANGE:	-40 °F (-40 °C) TO 185 °F (85 °C)
	MIN. INSTALLATION TEMP:	32 °F (0 °C)
	WEIGHT:	0.3g
	BUNDLE DIAMETER:	∅ 1.6mm (.06in) TO ∅ 22.2mm (.87in)
	TOOL:	12001 - HAND INSTALLATION TOOL 12500 - PNUEM. INSTALLATION TOOL
	TOOL TENSION SETTING:	1 - 3
	PACKAGING:	1000/BAG, 25,000/CASE

NOTE:

1. SPECIAL CHARACTERISTIC ARE NOTED BY A TRIANGLE (△)

APPROVALS: ENG. APPR. *[Signature]* 4/18/17
Q.A. APPR. *[Signature]* 4/18/17

SPECIFIED TOLERANCES ARE:
 .XX ± .03 IN. .X ± .7 MM
 .XXX ± .010 IN. .XX ± .25 MM
 ANGULAR: ± 2°

MATERIAL
NYLON 6/6
 COLOR
NATURAL

AVERY DENNISON
 FASTENER DIVISION
 FITCHBURG, MA 01420 U.S.A.
 TEL. 1-800-225-5913
 FAX. 978-353-8157

DESCRIPTION
4" CABLE TIE MINIATURE
 STOCK NO. **08432-0** REV. **N**



X-ON Electronics

Largest Supplier of Electrical and Electronic Components

Click to view similar products for [Cable Ties](#) category:

Click to view products by [Avery Dennison](#) manufacturer:

Other Similar products are found below :

[65037-C](#) [770-1751-10](#) [REL50L0C2](#) [20093-0](#) [SF600-120X](#) [SJ3518FR-1x50](#) [SJ3526N-Beige-2"x50yd](#) [SJ3526N BLACK 58" X 50YD](#) [SJ3571](#)
[SJ-3571-1"x50yd-Black](#) [PLT2S-C4](#) [34-455-C](#) [3722](#) [561-B110120](#) [561-N3510](#) [TYZ528M](#) [34-463-C](#) [URT20S-M](#) [06226](#) [08350-0](#) [08600-0](#)
[08376-0](#) [10325-0](#) [10362-0](#) [10606-0](#) [561-EZ250](#) [561-EZ625](#) [SJ3527N-Beige-2"x50yd](#) [SJ3527N-LOOP-BLACK-1](#) [SJ3572-2"x50yd-Black](#)
[CF5625-000](#) [65004-C](#) [65005-C](#) [65007-C](#) [65036-C](#) [157-00039](#) [770-1708](#) [770-1753-10](#) [770-1752](#) [SPNY-041-9](#) [SF400-120X](#) [3719](#) [08582-0](#)
[08386-0](#) [10431-0](#) [08359-0](#) [10620-0](#) [10345-0](#) [08416-0](#) [08384-0](#)