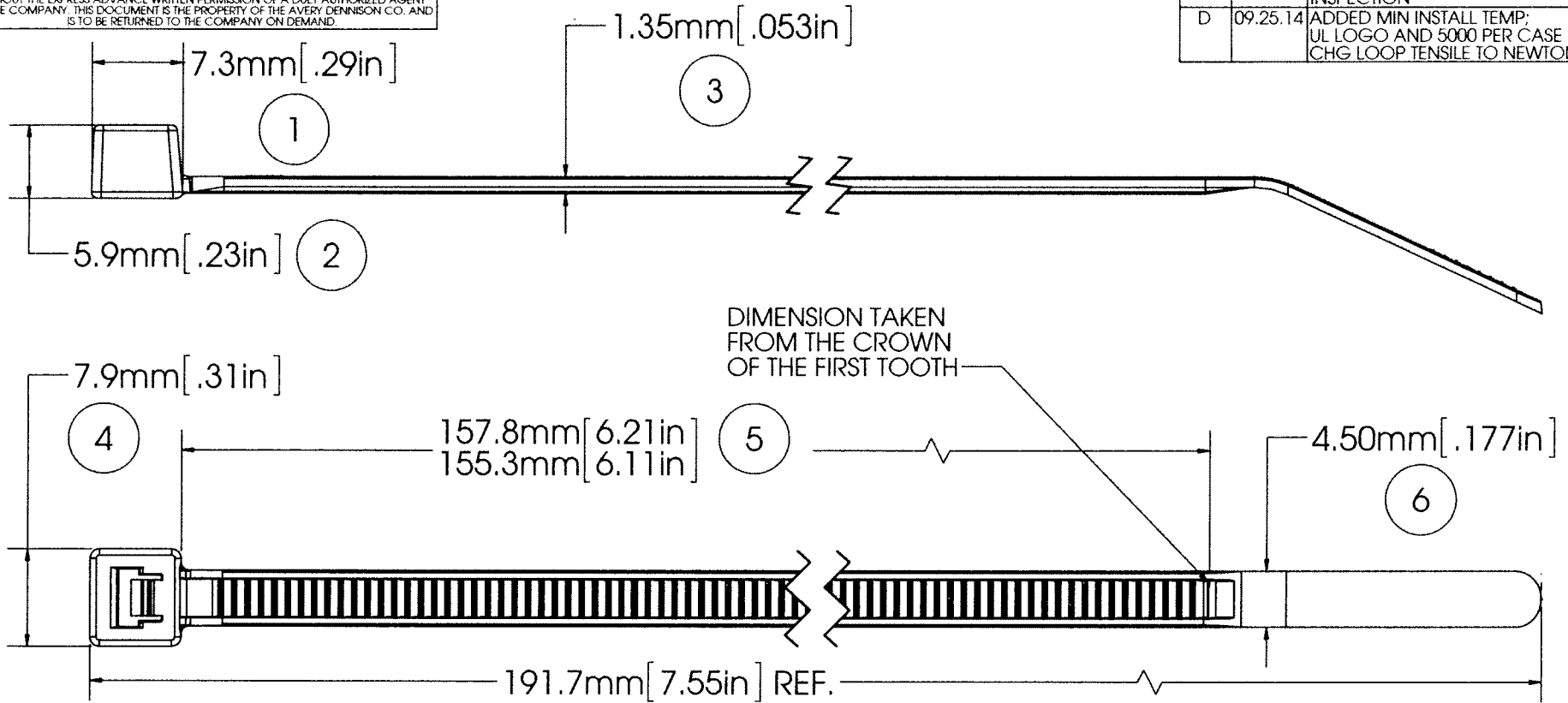


# AVERY DENNISON MARKETING SPECIFICATION

THE SUBJECT MATTER DISCLOSED HEREIN EMBODIES PROPRIETARY INFORMATION WHICH IS THE CONFIDENTIAL PROPERTY OF THE AVERY DENNISON CO. NONE OF WHICH SHALL BE COPIED, REPRODUCED, DISCLOSED TO OTHERS, PUBLISHED OR USED IN WHOLE OR IN PART, FOR ANY PURPOSE OTHER THAN THAT FOR WHICH IT IS BEING MADE AVAILABLE WITHOUT THE EXPRESS ADVANCE WRITTEN PERMISSION OF A DULY AUTHORIZED AGENT OF THE COMPANY. THIS DOCUMENT IS THE PROPERTY OF THE AVERY DENNISON CO. AND IS TO BE RETURNED TO THE COMPANY ON DEMAND.

HISTORY		
REV.	DATE	DESCRIPTION
C	01.24.14	UPDATED TO THE NEW FORMAT; UPDATED DIM 5 FOR EASE OF INSPECTION
D	09.25.14	ADDED MIN INSTALL TEMP; UL LOGO AND 5000 PER CASE CHG LOOP TENSILE TO NEWTONS



NOTE: THESE CABLE TIES ARE UV RESISTANT AND HAVE A FLAMMABILITY RATING OF V-2



LOOP TENSILE STRENGTH: 50 LBF / 220N MIN. PER AS-23190	APPROVALS:	ENG. APPR. <i>[Signature]</i> 9/25/14	<b>AVERY DENNISON</b> <small>FASTENER DIVISION                      FITCHBURG, MA 01420 U.S.A.                      TEL. 1-800-225-5913                      FAX. 978-353-8157</small>
OPERATING TEMP: -40°F (-40°C) TO 176°F (80°C)		Q.A. APPR. <i>[Signature]</i> 9/25/14	
MIN. INSTALLATION TEMP: 32°F (0°C)	SPECIFIED TOLERANCES ARE:	MATERIAL <b>NYLON 6/6, WEATHER RESISTANT</b>	DESCRIPTION <b>7.5" CABLE TIE, STD</b>
WEIGHT: 0.041 OZ. / 1.20 GRAMS			.XX ± .03 IN. .X ± .7 MM
BUNDLE DIAMETER: 1.59mm - 44.5mm	.XXX ± .01 IN. .XX ± .25 MM	COLOR <b>BLACK</b>	REV. <b>D</b>
TOOL: 12001 - HAND INSTALLATION TOOL 12500 - PNUEM. INSTALLATION TOOL	ANGULAR: ± 2°		
TOOL TENSION SETTING: 6 - 8			
PACKAGING: 100/BAG 5000/CASE			

5

4

3

2

1

## **X-ON Electronics**

Largest Supplier of Electrical and Electronic Components

*Click to view similar products for [Cable Ties](#) category:*

*Click to view products by [Avery Dennison](#) manufacturer:*

Other Similar products are found below :

[65037-C](#) [770-1751-10](#) [REL50L0C2](#) [20093-0](#) [SF600-120X](#) [SJ3518FR-1x50](#) [SJ3526N-Beige-2"x50yd](#) [SJ3526N BLACK 58" X 50YD](#) [SJ3571](#)  
[SJ-3571-1"x50yd-Black](#) [PLT2S-C4](#) [34-455-C](#) [3722](#) [561-B110120](#) [561-N3510](#) [TYZ528M](#) [34-463-C](#) [URT20S-M](#) [06226](#) [08350-0](#) [08600-0](#)  
[08376-0](#) [10325-0](#) [10362-0](#) [10606-0](#) [561-EZ250](#) [561-EZ625](#) [SJ3527N-Beige-2"x50yd](#) [SJ3527N-LOOP-BLACK-1](#) [SJ3572-2"x50yd-Black](#)  
[CF5625-000](#) [65004-C](#) [65005-C](#) [65007-C](#) [65036-C](#) [157-00039](#) [770-1708](#) [770-1753-10](#) [770-1752](#) [SPNY-041-9](#) [SF400-120X](#) [3719](#) [08582-0](#)  
[08386-0](#) [10431-0](#) [08359-0](#) [10620-0](#) [10345-0](#) [08416-0](#) [08384-0](#)