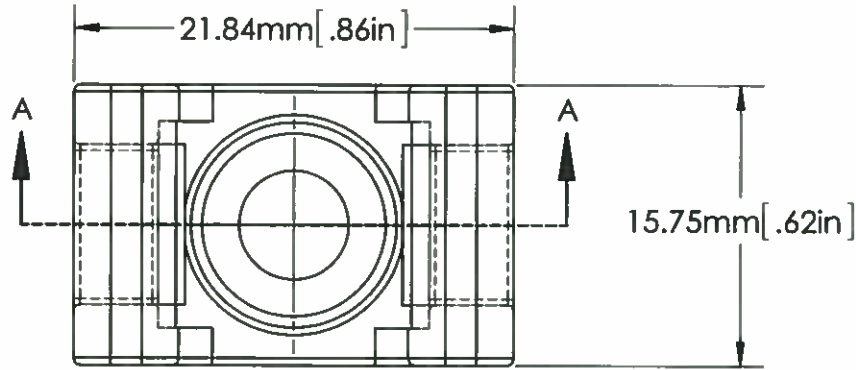


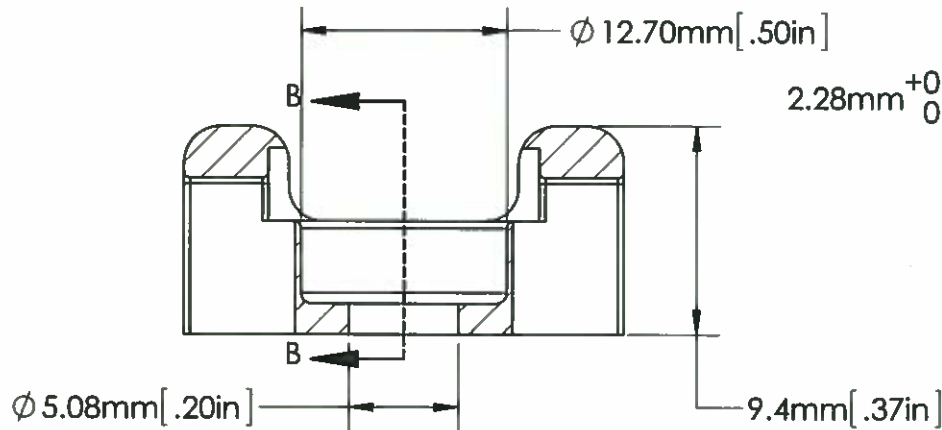
# AVERY DENNISON MARKETING SPECIFICATION

THE SUBJECT MATTER DISCLOSED HEREIN EMBODIES PROPRIETARY INFORMATION WHICH IS THE CONFIDENTIAL PROPERTY OF THE AVERY DENNISON CO. NONE OF WHICH SHALL BE COPIED, REPRODUCED, DISCLOSED TO OTHERS, PUBLISHED OR USED IN WHOLE OR IN PART, FOR ANY PURPOSE OTHER THAN THAT FOR WHICH IT IS BEING MADE AVAILABLE WITHOUT THE EXPRESS ADVANCE WRITTEN PERMISSION OF A DULY AUTHORIZED AGENT OF THE COMPANY. THIS DOCUMENT IS THE PROPERTY OF THE AVERY DENNISON CO. AND IS TO BE RETURNED TO THE COMPANY ON DEMAND.

HISTORY		
REV.	DATE	DESCRIPTION
A	2/17/15	RELEASE

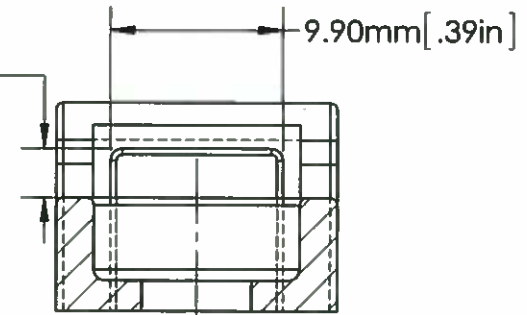


SCALE 4 : 1



SECTION A-A  
SCALE 4 : 1

$2.28\text{mm} \begin{matrix} +0.76 \\ 0 \end{matrix} \left[ \begin{matrix} .090 \\ .090 \end{matrix} \begin{matrix} +.030 \\ -.000 \end{matrix} \right]$



SECTION B-B  
SCALE 4 : 1



APPROVALS:	ENG. APPR. <i>[Signature]</i> 2-17-15
	Q.A. APPR. <i>[Signature]</i> 2-23-15

**AVERY DENNISON**  
FASTENER DIVISION  
 FITCHBURG, MA 01420 U.S.A.  
 TEL. 1-800-225-5913  
 FAX. 978-353-8157

WEIGHT:	.071 oz./2.02 grams
MOUNTING:	# 10 (FLATHEAD SCREW)
PACKAGING:	100/BAG, 5000/CASE

SPECIFIED TOLERANCES ARE:	
.XX ± .03 INCHES	.XX ± .25 MM
ANGULAR: ± 2°	

MATERIAL	<b>NYLON 6/6</b>
COLOR	<b>NATURAL</b>

DESCRIPTION	
<b>CRADLE MOUNT, HEAVY DUTY</b>	
STOCK NO.	<b>10046-2</b>
REV.	<b>A</b>

5

4

3

2

1

## X-ON Electronics

Largest Supplier of Electrical and Electronic Components

*Click to view similar products for [Cable Tie Mounts](#) category:*

*Click to view products by [Avery Dennison](#) manufacturer:*

Other Similar products are found below :

[3-350087-0](#) [CTB75X75BKA-C](#) [561-EZAB580T](#) [561-EZS375B40](#) [561-TA250125](#) [08443-0](#) [10035-0](#) [561-TA00600](#) [1689174-1](#) [08445-0](#)  
[10351-0](#) [561-TA250125B](#) [20015-0](#) [10350-0](#) [10029-0](#) [08484-0](#) [08446-0](#) [08318-0](#) [PAM075NY-A-C](#) [MTH1-3](#) [10044](#) [151-11319](#) [151-11819](#)  
[PLWP1SB-D](#) [PLWP1M-C](#) [PLWP2SA-D](#) [PLWP2SB-D](#) [PLWP2S-C](#) [PLWP1S-D](#) [PLWP1M-D](#) [TA1S8-C](#) [ABM3H-A-L](#) [ABM3H-AT-T0](#)  
[EMS-A-C0](#) [EMSK3-1-3-0](#) [10079](#) [10030](#) [151-10930](#) [151-10920](#) [3590](#) [151-28320](#) [151-28349](#) [151-28530](#) [151-10914](#) [151-10904](#) [151-10916](#)  
[151-10906](#) [06297](#) [CTB75X75NTA-C](#) [792](#)