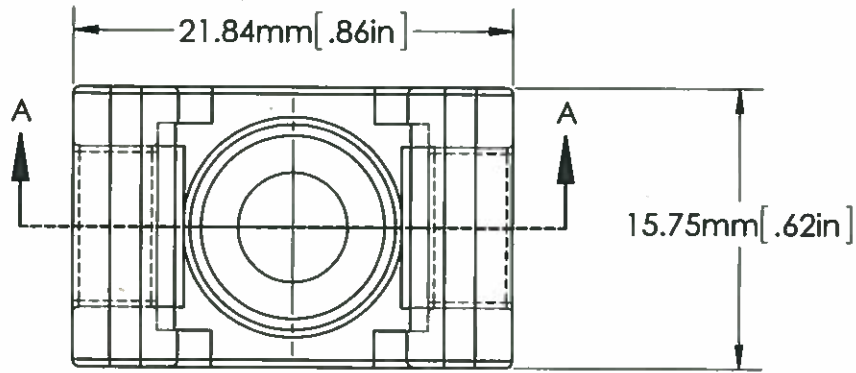


AVERY DENNISON MARKETING SPECIFICATION

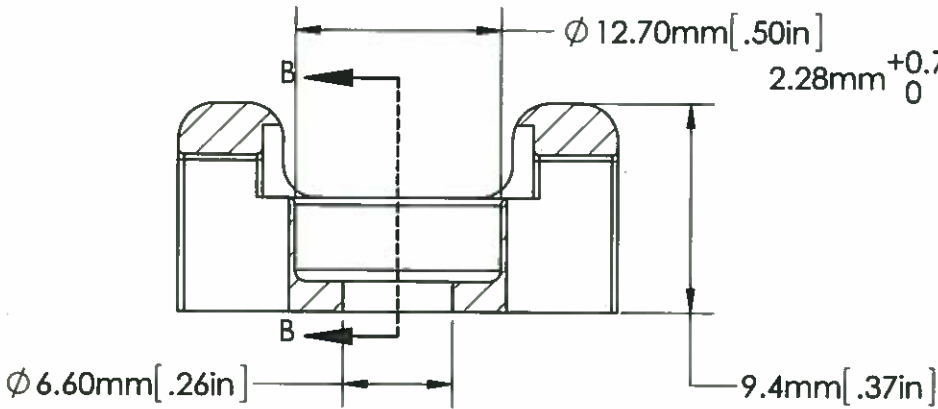
HISTORY

| REV. | DATE | DESCRIPTION |
|------|---------|-------------|
| A | 2/17/15 | RELEASE |

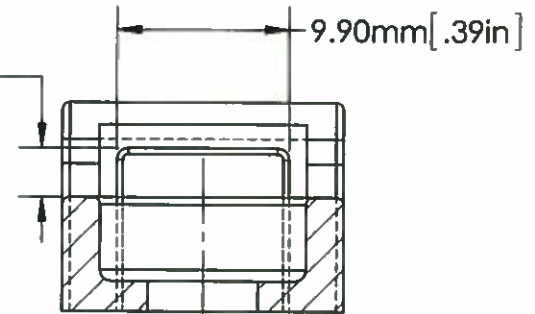
THE SUBJECT MATTER DISCLOSED HEREIN EMBODIES PROPRIETARY INFORMATION WHICH IS THE CONFIDENTIAL PROPERTY OF THE AVERY DENNISON CO. NONE OF WHICH SHALL BE COPIED, REPRODUCED, DISCLOSED TO OTHERS, PUBLISHED OR USED IN WHOLE OR IN PART, FOR ANY PURPOSE OTHER THAN THAT FOR WHICH IT IS BEING MADE AVAILABLE WITHOUT THE EXPRESS ADVANCE WRITTEN PERMISSION OF A DULY AUTHORIZED AGENT OF THE COMPANY. THIS DOCUMENT IS THE PROPERTY OF THE AVERY DENNISON CO. AND IS TO BE RETURNED TO THE COMPANY ON DEMAND.



SCALE 4 : 1



SECTION A-A
SCALE 4 : 1



SECTION B-B
SCALE 4 : 1



| | | | |
|---------------------------------------|---|----------------------------|---|
| | APPROVALS: ENG. APPR. <i>[Signature]</i> 2-17-15 Q.A. APPR. <i>[Signature]</i> 2-23-15 | | FASTENER DIVISION FITCHBURG, MA 01420 U.S.A. TEL: 1-800-225-5913 FAX: 978-353-8157 |
| WEIGHT: .071 oz./2.02 grams | SPECIFIED TOLERANCES ARE: | MATERIAL | DESCRIPTION |
| MOUNTING: 1/4" (.25) (FLATHEAD SCREW) | .XX ± .03 INCHES .XX ± .25 MM | NYLON 6/6, BLACK HS | CRADLE MOUNT, HEAVY DUTY BLACK, HS |
| PACKAGING: 100/BAG, 5000/CASE | ANGULAR: ± 2° | COLOR | STOCK NO. |
| | | BLACK | 10079-2 |
| | | | REV. A |

5

4

3

2

1

X-ON Electronics

Largest Supplier of Electrical and Electronic Components

Click to view similar products for [Cable Tie Mounts](#) category:

Click to view products by [Avery Dennison](#) manufacturer:

Other Similar products are found below :

[3-350087-0](#) [CTB75X75BKA-C](#) [561-EZAB580T](#) [561-EZS375B40](#) [561-TA250125](#) [08443-0](#) [10035-0](#) [561-TA00600](#) [1689174-1](#) [08445-0](#)
[10351-0](#) [561-TA250125B](#) [20015-0](#) [10350-0](#) [10029-0](#) [08484-0](#) [08446-0](#) [08318-0](#) [PAM075NY-A-C](#) [MTH1-3](#) [10044](#) [151-01802](#) [151-11319](#)
[151-11819](#) [PLWP1SB-D](#) [PLWP1M-C](#) [PLWP2SA-D](#) [PLWP2SB-D](#) [PLWP2S-C](#) [PLWP1S-D](#) [PLWP1M-D](#) [TA1S8-C](#) [ABM3H-A-L](#) [ABM3H-](#)
[AT-T0](#) [EMS-A-C0](#) [EMSK3-1-3-0](#) [10079](#) [10030](#) [151-10930](#) [151-10920](#) [3590](#) [151-28320](#) [151-28349](#) [151-28530](#) [151-10914](#) [151-10904](#) [151-](#)
[10915](#) [151-10916](#) [151-10906](#) [115-06960](#)