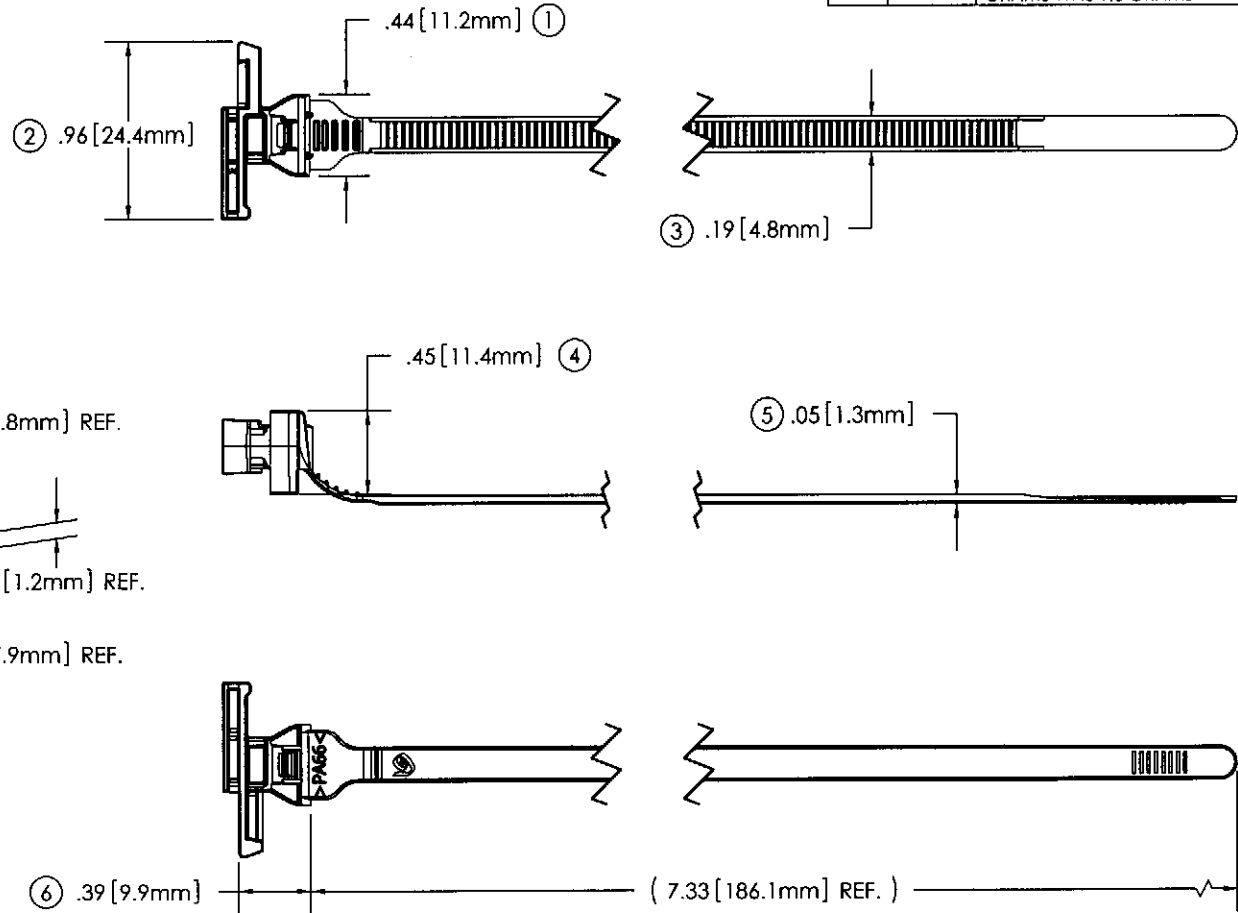


AVERY DENNISON MARKETING SPECIFICATION

HISTORY

THE SUBJECT MATTER DISCLOSED HEREIN EMBODIES PROPRIETARY INFORMATION WHICH IS THE CONFIDENTIAL PROPERTY OF THE AVERY DENNISON CO. NONE OF WHICH SHALL BE COPIED, REPRODUCED, DISCLOSED TO OTHERS, PUBLISHED OR USED IN WHOLE OR IN PART, FOR ANY PURPOSE OTHER THAN THAT FOR WHICH IT IS BEING MADE AVAILABLE WITHOUT THE EXPRESS ADVANCE WRITTEN PERMISSION OF A DULY AUTHORIZED AGENT OF THE COMPANY. THIS DOCUMENT IS THE PROPERTY OF THE AVERY DENNISON CO. AND IS TO BE RETURNED TO THE COMPANY ON DEMAND.

REV.	DATE	DESCRIPTION
A	2/23/07	RELEASE TO PRODUCTION
B	8/24/07	INCREASE CAPACITY
C	01/16/08	REVISED MODEL, PART WEIGHT 1.9 GRAMS WAS 1.8 GRAMS



**DETAIL A:
MOUNTING SLOT**

MOUNTING:	SEE DETAIL A
TENSILE STRENGTH:	50 LBF / 22.7 KGF MIN.
OPERATING TEMP RANGE:	-40°F (-40°C) TO 220°F (105°C)
WEIGHT:	1.9 GRAMS
BUNDLE DIAMETER:	Ø 1.6MM TO Ø 4.5MM
INSTALLATION TOOL:	12001 - HAND TOOL 12500 - PNEUMATIC TOOL
TOOL TENSION SETTING:	6 - 8
PACKAGING:	500/BA G, 10 BAGS/MASTER

APPROVALS: ENG. APPR. *Paul Herzberg* 1/16/08
Q.A. APPR. *[Signature]* 1-16-08

AVERY DENNISON
FASTENER DIVISION
FITCHBURG, MA 01420 U.S.A.
TEL. 1-800-225-5913
FAX. 978-353-8157

GENERAL TOLERANCE
UNLESS SPECIFIED ± .02 [0.5mm]
.X ± — .XXX ± —
.XX ± — ANGULAR: ± 3°

MATERIAL
IMPACT MODIFIED NYLON 6/6
COLOR
BLACK

DESCRIPTION	ADGT CONNECTOR TIE	
STOCK NO.	20113	REV. C

X-ON Electronics

Largest Supplier of Electrical and Electronic Components

Click to view similar products for [Cable Tie Mounts](#) category:

Click to view products by [Avery Dennison](#) manufacturer:

Other Similar products are found below :

[3-350087-0](#) [CTB75X75BKA-C](#) [561-EZAB580T](#) [561-EZS375B40](#) [561-TA250125](#) [08443-0](#) [10035-0](#) [561-TA00600](#) [1689174-1](#) [08445-0](#)
[10351-0](#) [561-TA250125B](#) [20015-0](#) [10350-0](#) [10029-0](#) [08484-0](#) [08446-0](#) [08318-0](#) [PAM075NY-A-C](#) [MTH1-3](#) [10044](#) [151-01802](#) [151-11319](#)
[151-11819](#) [PLWP1SB-D](#) [PLWP1M-C](#) [PLWP2SA-D](#) [PLWP2SB-D](#) [PLWP2S-C](#) [PLWP1S-D](#) [PLWP1M-D](#) [TA1S8-C](#) [ABM3H-A-L](#) [ABM3H-](#)
[AT-T0](#) [EMS-A-C0](#) [EMSK3-1-3-0](#) [10079](#) [10030](#) [151-10930](#) [151-10920](#) [3590](#) [151-28320](#) [151-28349](#) [151-28530](#) [151-10914](#) [151-10904](#) [151-](#)
[10915](#) [151-10916](#) [151-10906](#) [115-06960](#)