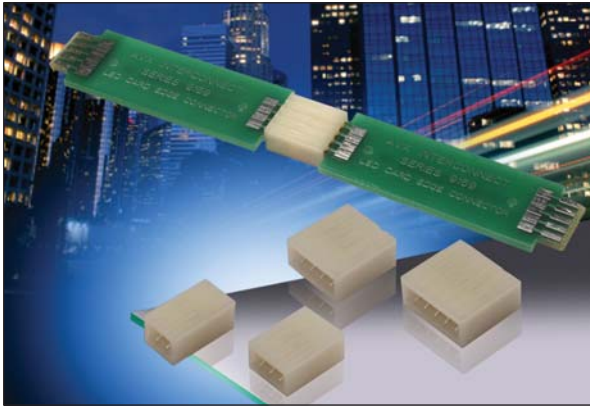


Standard Card Edge: BTB

00-9159



The 9159 series of Board-to-Board interconnect system allows two PCB's to be mated end-to-end creating strips of LED lighting. Designed specifically for the unique Solid State Lighting (SSL) market requiring coplanar (horizontal-to-horizontal) PCB mating. The 1-Piece Card Edge connector was developed to provide a reliable, low cost and simple means of connecting multiple PCB's together. The single stamped contact has dual contact beams to guarantee a high contact force on standard 1.6mm PCB's. These connectors are available in 2 through 5 positions and are on 2.0mm pitch centers to provide a 3 amp continuous rating.

APPLICATIONS

- Coplanar PCB mating in SSL products
- LED linear lighting strips

FEATURES AND BENEFITS

- Dual contacts provide positive contact force for enhanced reliability
- Mates with standard 1.6 ± 0.15 mm PCB on 2.0mm pad pitch
- 3 amp current rating for high current applications
- Available in white: supports SSL market preferences

ELECTRICAL

- Current Rating: 3 Amps / Contact
- Voltage Rating: 300 VAC

ENVIRONMENTAL

- Operating Temperature: -40°C to +125°C

MECHANICAL

- Insulator Material: Nylon 46: UL94HB
- Contact Material: Phosphor Bronze
- Plating: Tin over Nickel
- Durability: 5 Cycles

HOW TO ORDER

00	9159	00X	0	01	9	1	X															
Prefix	Series	Number of Ways	Single Part PCB Strip Connector	PCB Thickness	Color Options	Packaging Options	Plating Option															
		<table border="1"> <thead> <tr> <th>Code</th> <th>No of Ways</th> <th>Details</th> </tr> </thead> <tbody> <tr> <td>002</td> <td>2</td> <td>Page 2</td> </tr> <tr> <td>003</td> <td>3</td> <td>Page 3</td> </tr> <tr> <td>004</td> <td>4</td> <td>Page 4</td> </tr> <tr> <td>005</td> <td>5</td> <td>Page 5</td> </tr> </tbody> </table>	Code	No of Ways	Details	002	2	Page 2	003	3	Page 3	004	4	Page 4	005	5	Page 5		01 = 1.60 ± 0.15	9 = UL	1 = Bag (std)	6 = Pure Tin all over 1 = Gold Flash
Code	No of Ways	Details																				
002	2	Page 2																				
003	3	Page 3																				
004	4	Page 4																				
005	5	Page 5																				

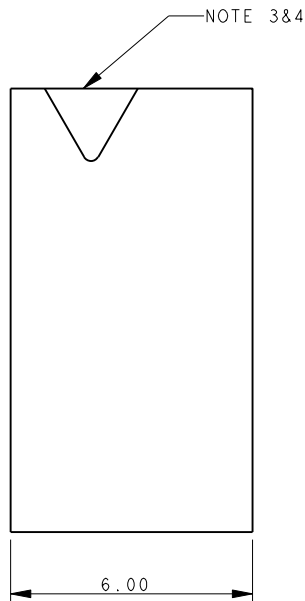
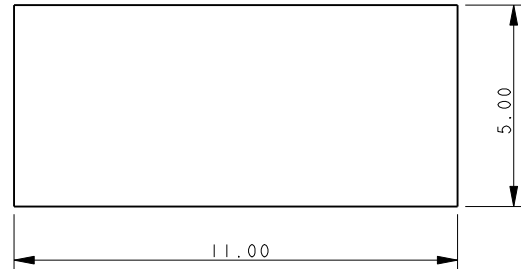
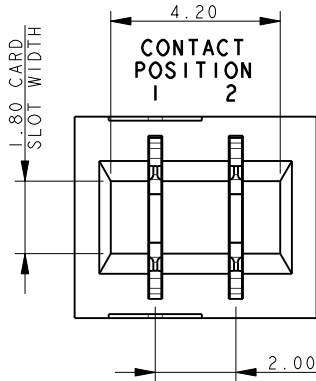
Certification: UL File #E90723



Standard Card Edge: BTB

00-9159

2 WAY SINGLE PART PCB STRIP CONNECTOR

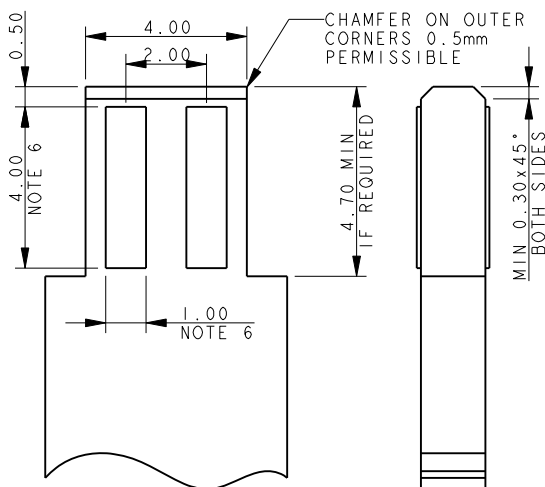


NOTES:

1. FOR MORE INFORMATION REFER TO PRODUCT SPEC 201-01-118.
2. DIMENSIONS ARE REFERENCE DIMENSIONS UNLESS TOLERANCED.
3. ARROW TO INDICATE CONTACT POSITION 1.
4. INSULATOR MATERIAL: NYLON 46, UL94 HB, COLOR SEE PAGE 1.
5. CONTACT MATERIAL: COPPER ALLOY, TIN PLATED ALL OVER, OR GOLD FLASH OVER TIN.
6. PCB PAD, TIN PLATED.

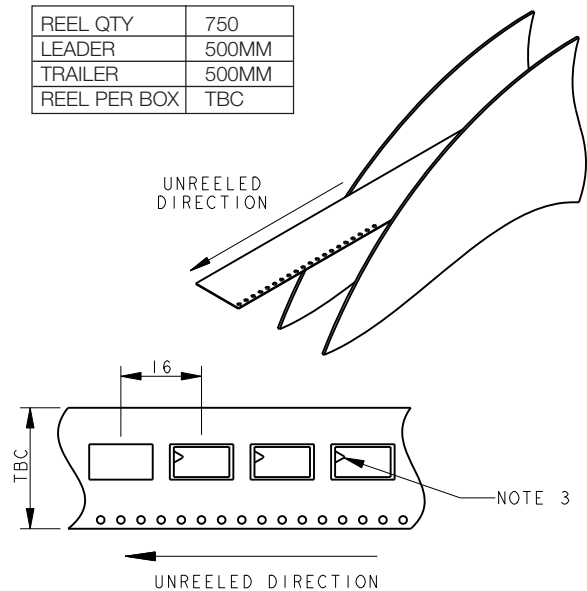
2 WAY PCB BOARD LAYOUT

THICKNESS 1.60 ± 0.15



PACKING DETAILS

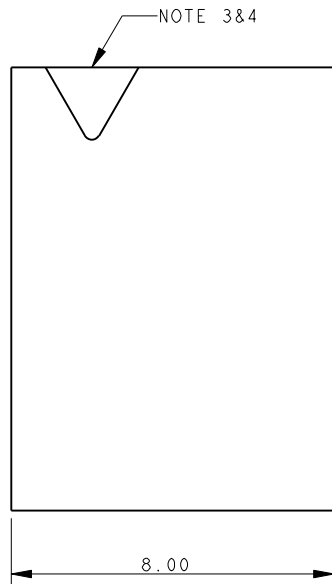
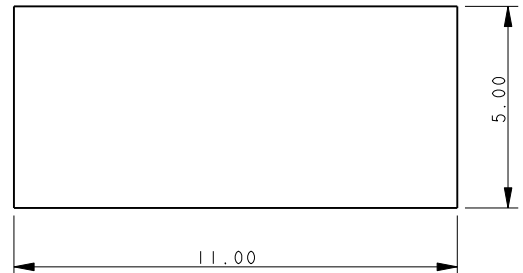
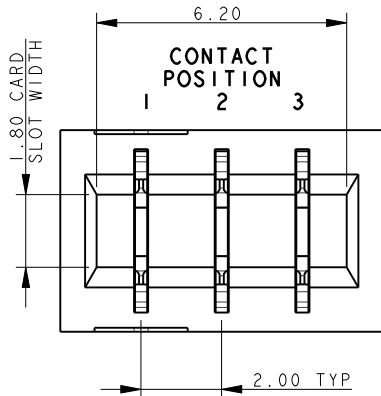
REEL QTY	750
LEADER	500MM
TRAILER	500MM
REEL PER BOX	TBC



Standard Card Edge: BTB

00-9159

3 WAY SINGLE PART PCB STRIP CONNECTOR

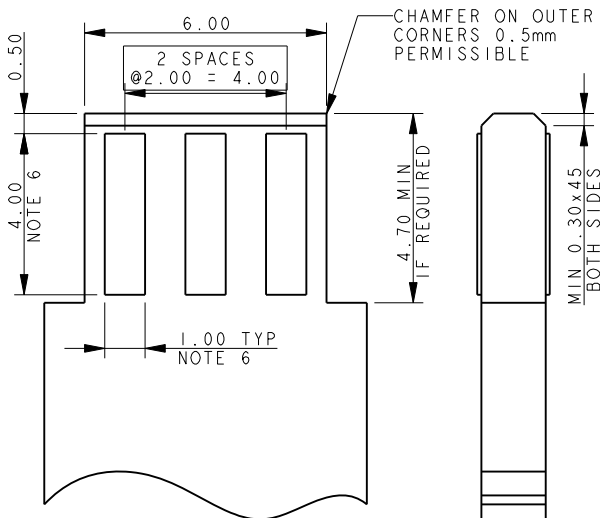


NOTES:

1. FOR MORE INFORMATION REFER TO PRODUCT SPEC 201-01-118.
2. DIMENSIONS ARE REFERENCE DIMENSIONS UNLESS TOLERANCED.
3. ARROW TO INDICATE CONTACT POSITION 1.
4. INSULATOR MATERIAL: NYLON 46, UL94 HB, COLOR SEE PAGE 1.
5. CONTACT MATERIAL: COPPER ALLOY, TIN PLATED ALL OVER, OR GOLD FLASH OVER TIN.
6. PCB PAD, TIN PLATED.

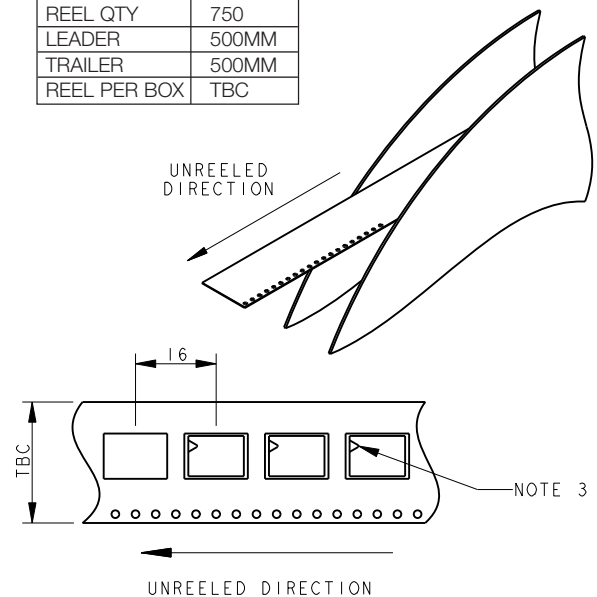
3 WAY PCB BOARD LAYOUT

THICKNESS 1.60 ± 0.15



PACKING DETAILS

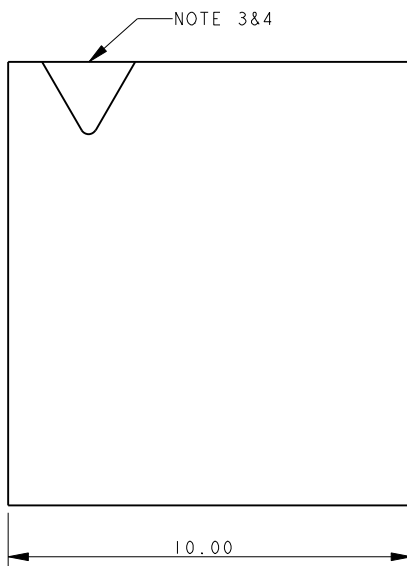
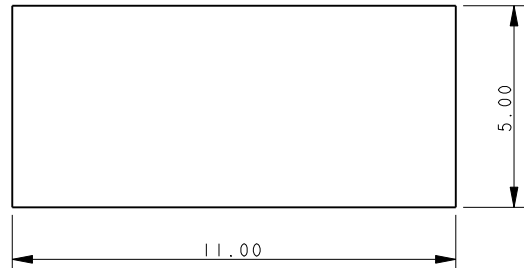
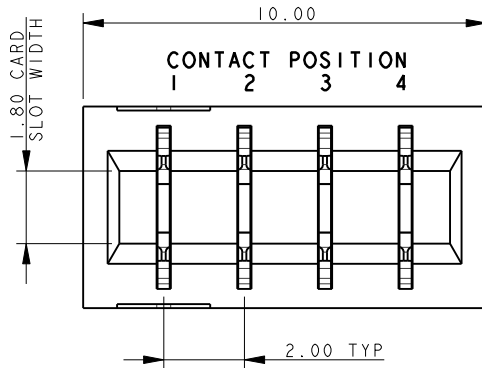
REEL QTY	750
LEADER	500MM
TRAILER	500MM
REEL PER BOX	TBC



Standard Card Edge: BTB

00-9159

4 WAY SINGLE PART PCB STRIP CONNECTOR

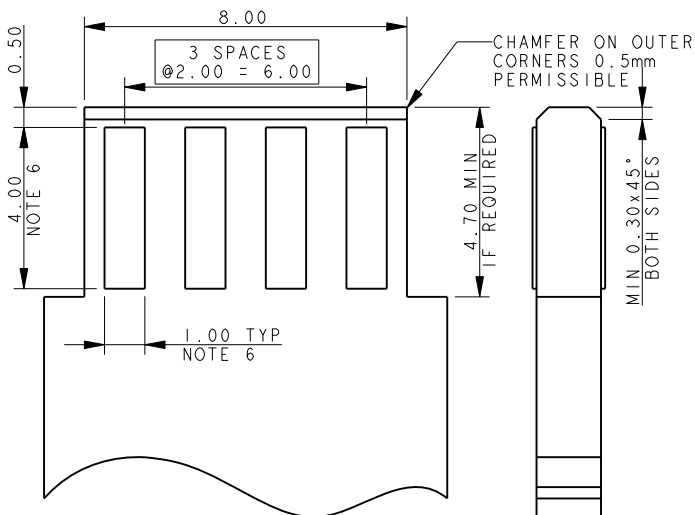


NOTES:

1. FOR MORE INFORMATION REFER TO PRODUCT SPEC 201-01-118.
2. DIMENSIONS ARE REFERENCE DIMENSIONS UNLESS TOLERANCED.
3. ARROW TO INDICATE CONTACT POSITION 1.
4. INSULATOR MATERIAL: NYLON 46, UL94 HB, COLOR SEE PAGE 1.
5. CONTACT MATERIAL: COPPER ALLOY, TIN PLATED ALL OVER, OR GOLD FLASH OVER TIN.
6. PCB PAD, TIN PLATED.

4 WAY PCB BOARD LAYOUT

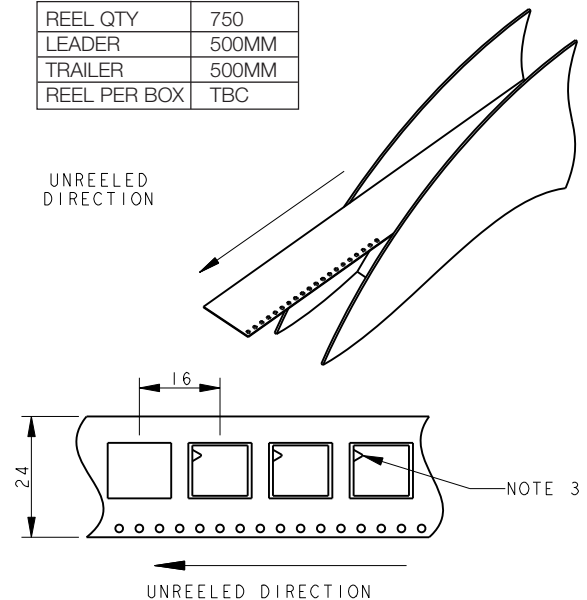
THICKNESS 1.60 ± 0.15



PACKING DETAILS

REEL QTY	750
LEADER	500MM
TRAILER	500MM
REEL PER BOX	TBC

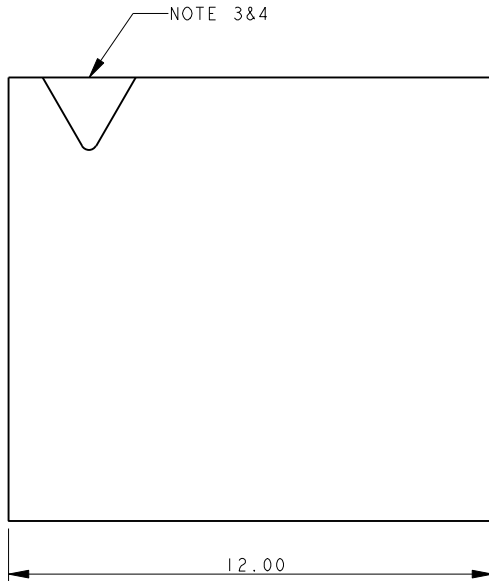
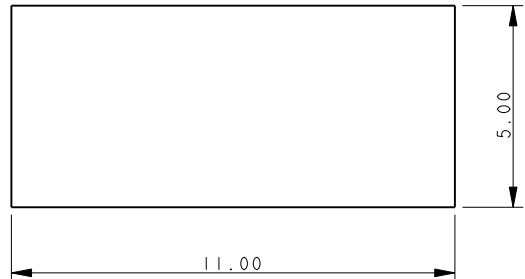
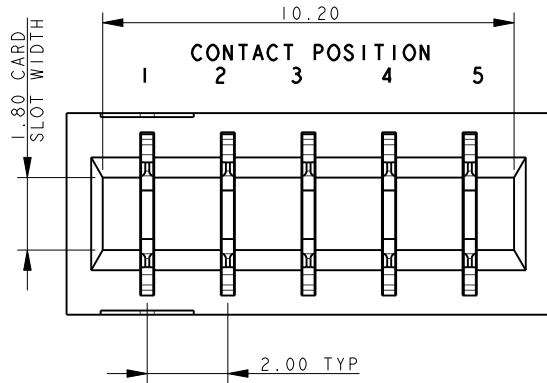
UNREELED DIRECTION



Standard Card Edge: BTB

00-9159

5 WAY SINGLE PART PCB STRIP CONNECTOR

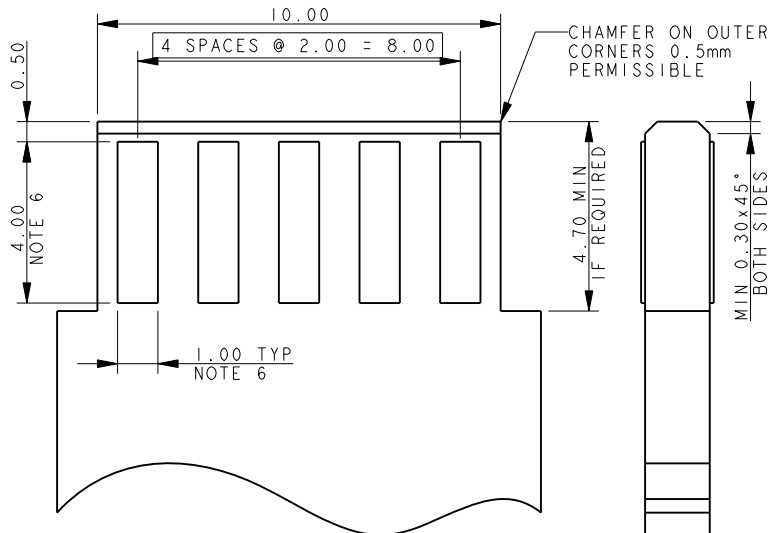


NOTES:

1. FOR MORE INFORMATION REFER TO PRODUCT SPEC 201-01-118.
2. DIMENSIONS ARE REFERENCE DIMENSIONS UNLESS TOLERANCED.
3. ARROW TO INDICATE CONTACT POSITION 1.
4. INSULATOR MATERIAL: NYLON 46, UL94 HB, COLOR SEE PAGE 1.
5. CONTACT MATERIAL: COPPER ALLOY, TIN PLATED ALL OVER, OR GOLD FLASH OVER TIN.
6. PCB PAD, TIN PLATED.

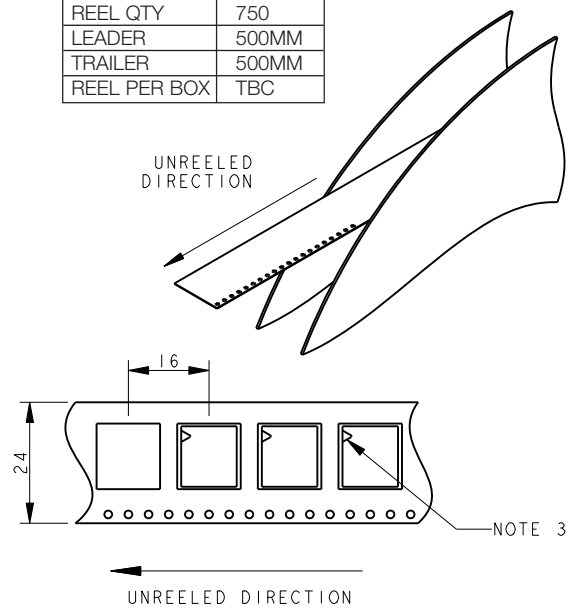
5 WAY PCB BOARD LAYOUT

THICKNESS 1.60 ± 0.15



PACKING DETAILS

REEL QTY	750
LEADER	500MM
TRAILER	500MM
REEL PER BOX	TBC



X-ON Electronics

Largest Supplier of Electrical and Electronic Components

Click to view similar products for [Board to Board & Mezzanine Connectors](#) category:

Click to view products by [AVX](#) manufacturer:

Other Similar products are found below :

[10135583-642402LF](#) [89885-310LF](#) [589158040000018](#) [6-1393048-0](#) [68683-613](#) [MDF7-12DP-2.54DSA](#) [MDF7-18P-2.54DSA\(01\)](#) [MDF7-20DP-2.54DSA](#) [MDF7-26D-2.54DSA\(55\)](#) [MDF7-3P-2.54DSA\(01\)](#) [MDF7B-3P-2.54DSA\(55\)](#) [MDF7C-11P-2.54DSA\(55\)](#) [MDF7C-18P-2.54DSA\(55\)](#) [MDF7C-5P-2.54DSA\(01\)](#) [MDF7P-5P-2.54DSA\(55\)](#) [75234-0516](#) [FCN-230C068-11](#) [FCN-268F012-G/BD](#) [FCN-268F036-G/BD](#) [FCN-268M012-G/0D](#) [FCN-268M024-G/1D](#) [FCN-360C008-C](#) [FCN-360C040-C](#) [FCN-723J004/1](#) [MIS-048-01-F-D-DP-K](#) [832-10-034-10-001000](#) [93696-325LF](#) [11828-1FA](#) [AXK630345P](#) [18097-0013](#) [ICA-328STT](#) [2007042-2](#) [304400-2](#) [FCN-214Q030-G/0](#) [FCN-215Q040-G/0](#) [FCN-230C068-ESA](#) [FCN-234P048-G/0](#) [FCN-235D050-G/C](#) [FCN-360A3](#) [FCN-360C040-B](#) [210-93-314-41-105000](#) [2-22603-0](#) [379-064-521-202](#) [MDF7-12P-2.54DSA\(01\)](#) [MDF7-16P-2.54DS\(56\)](#) [MDF7-40DP-2.54DSA\(55\)](#) [MDF7-8P-2.54DSA\(55\)](#) [MDF7B-16P-2.54DSA\(55\)](#) [AXG720047](#) [5031084030](#)