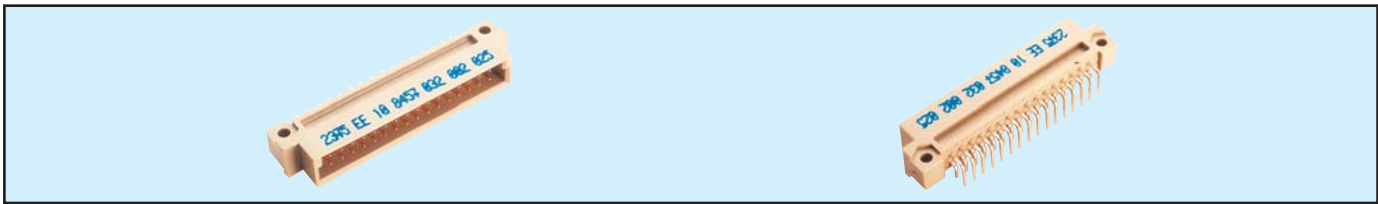


Male Style 1/2 B



Series 8457 – 2 rows (2 x 16)

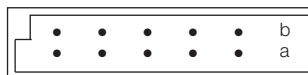


| Contact Design and Termination Length | Number of Contacts | Loading Description | Part Number Performance classes according to DIN 41612 | |
|---------------------------------------|--------------------|-----------------------|--|---------------------|
| | | | II | I |
| 3.4 mm (Y) Straight | 32 | a + b fully loaded | 10 8457 032 001 025 | 10 8457 032 001 049 |
| | 16 | a + b even loading | 10 8457 032 001 031 | 10 8457 032 001 055 |
| | 16 | a loading only | 10 8457 032 001 027 | 10 8457 032 001 051 |
| 3.0 mm (Y) Right Angled | 32 | a + b fully loaded | 10 8457 032 002 025 | 10 8457 032 002 049 |
| | 16 | a + b even loading | 10 8457 032 002 031 | 10 8457 032 002 055 |
| | 16 | a loading only | 10 8457 032 002 027 | 10 8457 032 002 051 |
| 13.0 mm (Y) Straight | 30 + 2 | fully loaded + ground | 10 8457 032 102 025 | 10 8457 032 102 049 |
| | 32 | a + b fully loaded | 10 8457 032 003 025 | 10 8457 032 003 049 |
| | 16 | a + b even loading | 10 8457 032 003 031 | 10 8457 032 003 055 |
| 11.3 mm (Y) Right Angled | 16 | a loading only | 10 8457 032 003 027 | 10 8457 032 003 051 |
| | 32 | a + b fully loaded | 10 8457 032 004 025 | 10 8457 032 004 049 |
| | 16 | a + b even loading | 10 8457 032 004 031 | 10 8457 032 004 055 |
| 2.3 mm (Y) Right Angled | 16 | a loading only | 10 8457 032 004 027 | 10 8457 032 004 051 |
| | 32 | a + b fully loaded | 10 8457 032 008 025 | 10 8457 032 008 049 |
| | 16 | a + b even loading | 10 8457 032 008 031 | 10 8457 032 008 055 |
| 2.3 mm (Y) Right Angled | 16 | a loading only | 10 8457 032 008 027 | 10 8457 032 008 051 |
| | 30 + 2 | fully loaded + ground | 10 8457 032 108 025 | 10 8457 032 108 049 |

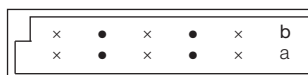
NB: Alternative Prefix Variations Available: 12, 16 & 17, please refer to Page 10.

Additional Plating & Loading Variations: Please contact your local AVX sales office or distributor.

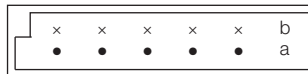
LOADING DESCRIPTION



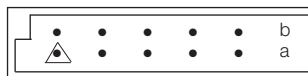
32 contacts, rows a + b fully loaded



16 contacts, rows a + b even loading



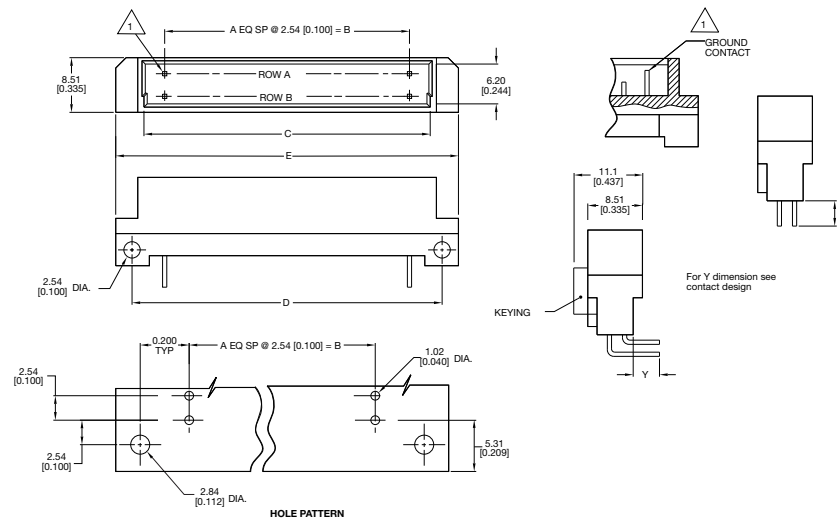
16 contacts, row a loading only



30 + 2 contacts, fully loaded with ground in A1 & A16

△ denotes ground pin

DIMENSIONS



Unit: millimeters (inches)

| No. Contact Positions | Contact Rows | A | B | C | D | E |
|-----------------------|--------------|----|---------------|---------------|---------------|---------------|
| 32 | 2 (2 x 16) | 15 | 38.10 (1.500) | 44.55 (1.754) | 48.26 (1.900) | 53.34 (2.100) |

Female Style 1/2 B

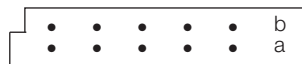
Series 8457 – 2 rows (2 x 16)



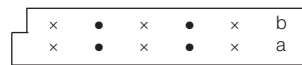
| Contact Design and Termination Length | Number of Contacts | Loading Description | Part Number Performance classes according to DIN 41612 | |
|--|--------------------|---------------------|--|---------------------|
| | | | II | I |
| 0.6 x 0.6 mm post profile 4.5 mm (Y) Straight | 32 | a + b fully loaded | 20 8457 032 001 025 | 20 8457 032 001 049 |
| | 16 | a + b even loading | 20 8457 032 001 031 | 20 8457 032 001 055 |
| | 16 | a loading only | 20 8457 032 001 027 | 20 8457 032 001 051 |
| 0.6 x 0.6 mm post profile 2.9 mm (Y) Straight | 32 | a + b fully loaded | 20 8457 032 002 025 | 20 8457 032 002 049 |
| | 16 | a + b even loading | 20 8457 032 002 031 | 20 8457 032 002 055 |
| | 16 | a loading only | 20 8457 032 002 027 | 20 8457 032 002 051 |
| 0.6 x 0.6 mm post profile 13.0 mm (Y) Straight | 32 | a + b fully loaded | 20 8457 032 005 025 | 20 8457 032 005 049 |
| | 16 | a + b even loading | 20 8457 032 005 031 | 20 8457 032 005 055 |
| | 16 | a loading only | 20 8457 032 005 027 | 20 8457 032 005 051 |
| 0.6 x 0.6 mm post profile 7.0 mm (Y) Straight | 32 | a + b fully loaded | 20 8457 032 010 025 | 20 8457 032 010 049 |
| | 16 | a + b even loading | 20 8457 032 010 031 | 20 8457 032 010 055 |
| | 16 | a loading only | 20 8457 032 010 027 | 20 8457 032 010 051 |
| 0.6 x 0.6 mm post profile 3.5 mm (Y) Straight | 32 | a + b even loading | 20 8457 032 011 025 | 20 8457 032 011 049 |
| | 16 | a + b fully loaded | 20 8457 032 011 031 | 20 8457 032 011 055 |
| | 16 | a loading only | 20 8457 032 011 027 | 20 8457 032 011 051 |
| 0.6 x 0.6 mm post profile 19.4 mm (Y) Straight | 32 | a + b fully loaded | 20 8457 032 012 025 | 20 8457 032 012 049 |
| | 16 | a + b even loading | 20 8457 032 012 031 | 20 8457 032 012 055 |
| | 16 | a loading only | 20 8457 032 012 027 | 20 8457 032 012 051 |
| 0.6 x 0.6 mm post profile 4.5 mm (Y) Right Angled | 32 | a + b fully loaded | 20 8457 032 013 025 | 20 8457 032 013 049 |
| | 16 | a + b even loading | 20 8457 032 013 031 | 20 8457 032 013 055 |
| | 16 | a loading only | 20 8457 032 013 027 | 20 8457 032 013 051 |

NB: Alternative Prefix Variations Available: 22, 24, 25, 26 & 27, please refer to Page 10.
Additional Plating & Loading Variations: Please contact your local AVX sales office or distributor.

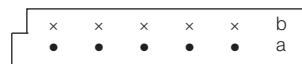
LOADING DESCRIPTION



32 contacts, rows a + b fully loaded

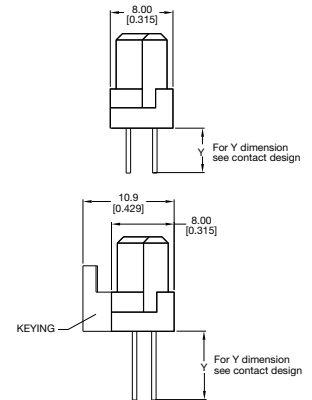
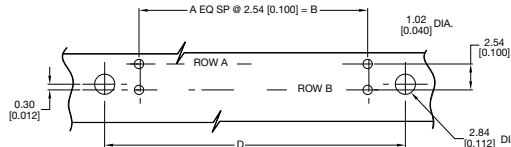
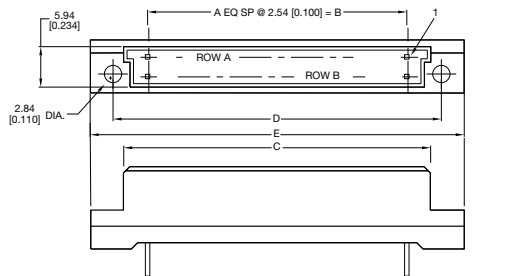


16 contacts, rows a + b even loading



16 contacts, row a loading only

DIMENSIONS



Unit: millimeters (inches)

| No. Contact Positions | Contact Rows | A | B | C | D | E |
|-----------------------|--------------|----|------------------|------------------|------------------|------------------|
| 32 | 2 (2 x 16) | 15 | 38.10 (1.500) | 44.30 (1.744) | 49.99 (1.968) | 54.91 (2.162) |

Male Style B

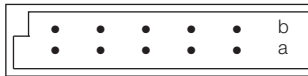
Series 8457 – 2 rows (2 x 32)



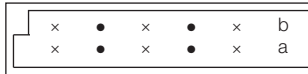
| Contact Design and Termination Length | Number of Contacts | Loading Description | Part Number Performance classes according to DIN 41612 | |
|---------------------------------------|--------------------|-----------------------|--|---------------------|
| | | | | I |
| 3.4 mm (Y) Straight | 64 | a + b fully loaded | 10 8457 064 001 025 | 10 8457 064 001 049 |
| | 32 | a + b even loading | 10 8457 064 001 031 | 10 8457 064 001 055 |
| | 32 | a loading only | 10 8457 064 001 027 | 10 8457 064 001 051 |
| 3.0 mm (Y) Right Angled | 64 | a + b fully loaded | 10 8457 064 002 025 | 10 8457 064 002 049 |
| | 32 | a + b even loading | 10 8457 064 002 031 | 10 8457 064 002 055 |
| | 32 | a loading only | 10 8457 064 002 027 | 10 8457 064 002 051 |
| 13.0 mm (Y) Straight | 64 | a + b fully loaded | 10 8457 064 003 025 | 10 8457 064 003 049 |
| | 32 | a + b even loading | 10 8457 064 003 031 | 10 8457 064 003 055 |
| | 32 | a loading only | 10 8457 064 003 027 | 10 8457 064 003 051 |
| 11.3 mm (Y) Right Angled | 64 | a + b fully loaded | 10 8457 064 004 025 | 10 8457 064 004 049 |
| | 32 | a + b even loading | 10 8457 064 004 031 | 10 8457 064 004 055 |
| | 32 | a loading only | 10 8457 064 004 027 | 10 8457 064 004 051 |
| 2.3 mm (Y) Right Angled | 64 | a + b fully loaded | 10 8457 064 008 025 | 10 8457 064 008 049 |
| | 32 | a + b even loading | 10 8457 064 008 031 | 10 8457 064 008 055 |
| | 32 | a loading only | 10 8457 064 008 027 | 10 8457 064 008 051 |
| | 62 + 2 | fully loaded + ground | 10 8457 064 102 025 | 10 8457 064 102 049 |
| | | | 10 8457 064 108 025 | 10 8457 064 108 049 |

NB: Alternative Prefix Variations Available: 12, 16 & 17, please refer to Page 10.
Additional Plating & Loading Variations: Please contact your local AVX sales office or distributor.

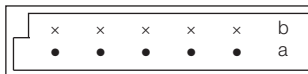
LOADING DESCRIPTION DIMENSIONS



64 contacts, rows a + b fully loaded



32 contacts, rows a + b even loading

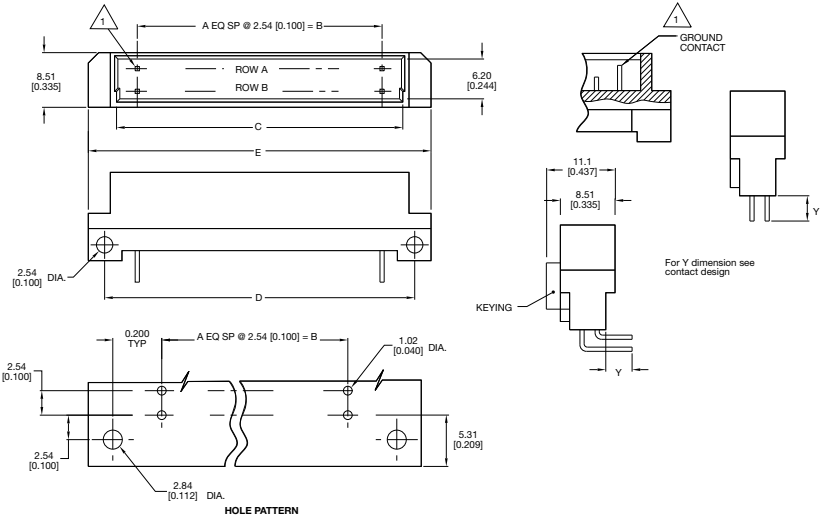


32 contacts, row a loading only



62 + 2 contacts, fully loaded with ground in A1 + A32

△ denotes ground pin



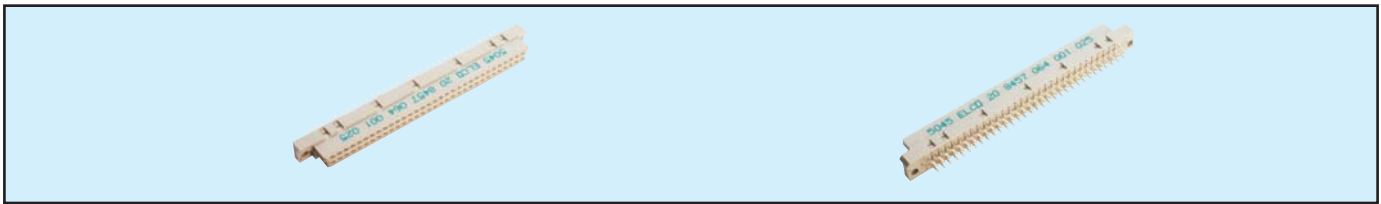
Unit: millimeters (inches)

| No. Contact Positions | Contact Rows | A | B | C | D | E |
|-----------------------|--------------|----|------------------|------------------|------------------|------------------|
| 64 | 2 (2 x 32) | 31 | 78.74 (3.100) | 85.19 (3.354) | 88.90 (3.500) | 93.98 (3.700) |

Female Style B



Series 8457 – 2 rows (2 x 32)



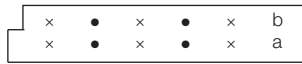
| Contact Design and Termination Length | Number of Contacts | Loading Description | Part Number Performance classes according to DIN 41612 | |
|--|--------------------|---------------------|--|---------------------|
| | | | II | I |
| 0.6 x 0.6 mm Post Profile 4.5 mm (Y) Straight | 64 | a + b fully loaded | 20 8457 064 001 025 | 20 8457 064 001 049 |
| | 32 | a + b even loading | 20 8457 064 001 031 | 20 8457 064 001 055 |
| | 32 | a loading only | 20 8457 064 001 027 | 20 8457 064 001 051 |
| 0.6 x 0.6 mm Post Profile 2.9 mm (Y) Straight | 64 | a + b fully loaded | 20 8457 064 002 025 | 20 8457 064 002 049 |
| | 32 | a + b even loading | 20 8457 064 002 031 | 20 8457 064 002 055 |
| | 32 | a loading only | 20 8457 064 002 027 | 20 8457 064 002 051 |
| 0.6 x 0.6 mm Post Profile 13.0 mm (Y) Straight | 64 | a + b fully loaded | 20 8457 064 005 025 | 20 8457 064 005 049 |
| | 32 | a + b even loading | 20 8457 064 005 031 | 20 8457 064 005 055 |
| | 32 | a loading only | 20 8457 064 005 027 | 20 8457 064 005 051 |
| 0.6 x 0.6 mm Post Profile 7.0 mm (Y) Straight | 64 | a + b fully loaded | 20 8457 064 010 025 | 20 8457 064 010 049 |
| | 32 | a + b even loading | 20 8457 064 010 031 | 20 8457 064 010 055 |
| | 32 | a loading only | 20 8457 064 010 027 | 20 8457 064 010 051 |
| 0.6 x 0.6 mm Post Profile 3.5 mm (Y) Straight | 64 | a + b fully loaded | 20 8457 064 011 025 | 20 8457 064 011 049 |
| | 32 | a + b even loading | 20 8457 064 011 031 | 20 8457 064 011 055 |
| | 32 | a loading only | 20 8457 064 011 027 | 20 8457 064 011 051 |
| 0.6 x 0.6 mm Post Profile 19.4 mm (Y) Straight | 64 | a + b fully loaded | 20 8457 064 012 025 | 20 8457 064 012 049 |
| | 32 | a + b even loading | 20 8457 064 012 031 | 20 8457 064 012 055 |
| | 32 | a loading only | 20 8457 064 012 027 | 20 8457 064 012 051 |
| 0.6 x 0.6 mm Post Profile 4.5 mm (Y) Right Angled | 64 | a + b fully loaded | 20 8457 064 013 025 | 20 8457 064 013 049 |
| | 32 | a + b even loading | 20 8457 064 013 031 | 20 8457 064 013 055 |
| | 32 | a loading only | 20 8457 064 013 027 | 20 8457 064 013 051 |

NB: Alternative Prefix Variations Available: 22, 24, 25, 26 & 27, please refer to Page 10.
Additional Plating & Loading Variations: Please contact your local AVX sales office or distributor.

LOADING DESCRIPTION



64 contacts, rows a + b fully loaded

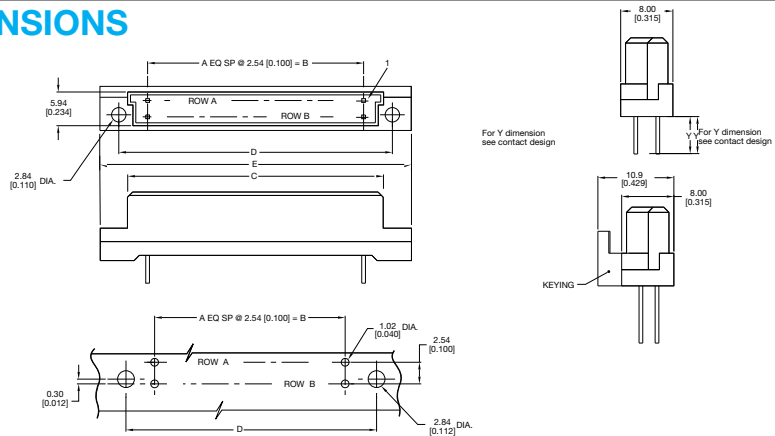


32 contacts, rows a + b even loading



32 contacts, row a loading only

DIMENSIONS



Unit: millimeters (inches)

| No. Contact Positions | Contact Rows | A | B | C | D | E |
|-----------------------|--------------|----|------------------|------------------|------------------|------------------|
| 64 | 2 (2 x 32) | 31 | 78.74 (3.100) | 84.91 (3.343) | 89.99 (3.543) | 94.89 (3.736) |

Male Style 1/3 C

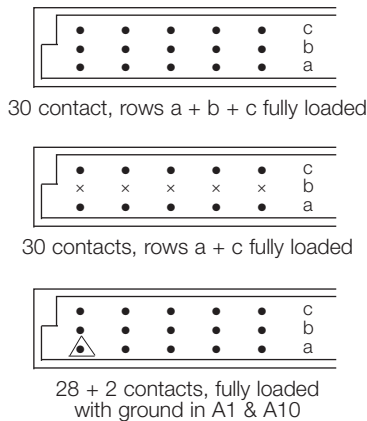
Series 8457 – 3 rows (3 x 10)



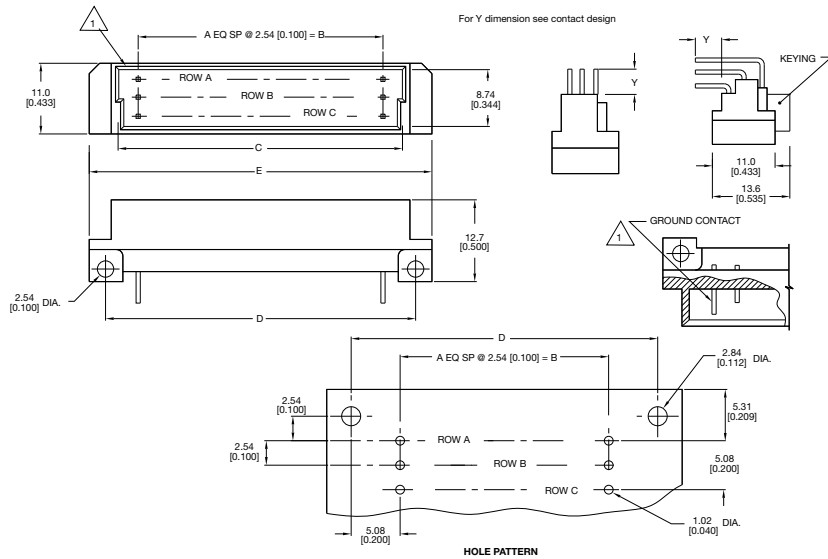
| Contact Design and Termination Length | Number of Contacts | Loading Description | Part Number Performance classes according to DIN 41612 | |
|---------------------------------------|--------------------|------------------------|--|---------------------|
| | | | II | I |
| 3.4 mm (Y) Straight | 30 | a + b + c fully loaded | 10 8457 030 001 025 | 10 8457 030 001 049 |
| | 20 | a + c fully loaded | 10 8457 030 001 026 | 10 8457 030 001 050 |
| | | | | |
| 3.0 mm (Y) Right Angled | 30 | a + b + c fully loaded | 10 8457 030 002 025 | 10 8457 030 002 049 |
| | 20 | a + c fully loaded | 10 8457 030 002 026 | 10 8457 030 002 050 |
| | 28 + 2 | fully loaded + ground | 10 8457 030 102 025 | 10 8457 030 102 049 |
| 13.0 mm (Y) Straight | 30 | a + b + c fully loaded | 10 8457 030 003 025 | 10 8457 030 003 049 |
| | 20 | a + c fully loaded | 10 8457 030 003 026 | 10 8457 030 003 050 |
| 11.3 mm (Y) Right Angled | 30 | a + b + c fully loaded | 10 8457 030 004 025 | 10 8457 030 004 049 |
| | 20 | a + c fully loaded | 10 8457 030 004 026 | 10 8457 030 004 050 |
| 2.3 mm (Y) Right Angled | 30 | a + b + c fully loaded | 10 8457 030 008 025 | 10 8457 030 008 049 |
| | 20 | a + c fully loaded | 10 8457 030 008 026 | 10 8457 030 008 050 |
| | 28 + 2 | fully loaded + ground | 10 8457 030 108 025 | 10 8457 030 108 049 |

NB: Alternative Prefix Variations Available: 12, 16 & 17, please refer to Page 10.
Additional Plating & Loading Variations: Please contact your local AVX sales office or distributor.

LOADING DESCRIPTION DIMENSIONS



△ denotes ground pin



Unit: millimeters (inches)

| No. Contact Positions | Contact Rows | A | B | C | D | E |
|-----------------------|--------------|---|------------------|------------------|------------------|------------------|
| 30 | 3 (3 x 10) | 9 | 22.86 (0.900) | 29.41 (1.158) | 33.02 (1.300) | 38.02 (1.497) |

Female Style 1/3 C

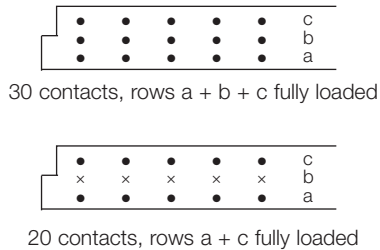
Series 8457 – 3 rows (3 x 10)



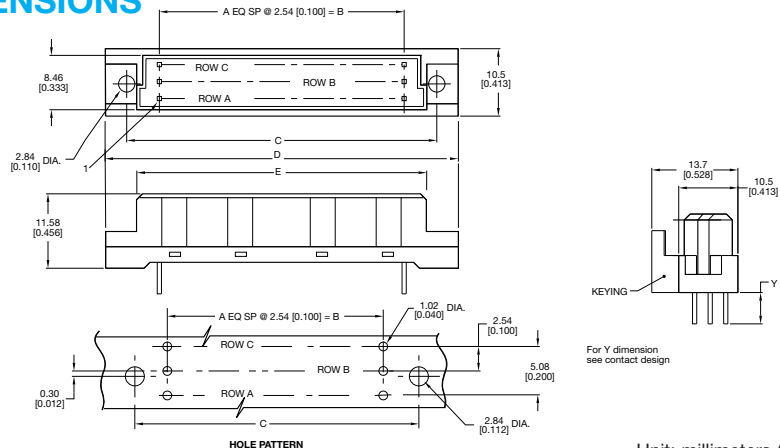
| Contact Design and Termination Length | Number of Contacts | Loading Description | Part Number Performance classes according to DIN 41612 | |
|--|--------------------|------------------------|--|---------------------|
| | | | II | I |
| 0.6 x 0.6 mm Post Profile 4.5 mm (Y) Straight | 30 | a + b + c fully loaded | 20 8457 030 001 025 | 20 8457 030 001 049 |
| | 20 | a + c fully loaded | 20 8457 030 001 026 | 20 8457 030 001 050 |
| 0.6 x 0.6 mm Post Profile 2.9 mm (Y) Straight | 30 | a + b + c fully loaded | 20 8457 030 002 025 | 20 8457 030 002 049 |
| | 20 | a + c fully loaded | 20 8457 030 002 026 | 20 8457 030 002 050 |
| 0.6 x 0.6 mm Post Profile 13.0 mm (Y) Straight | 30 | a + b + c fully loaded | 20 8457 030 005 025 | 20 8457 030 005 049 |
| | 20 | a + c fully loaded | 20 8457 030 005 026 | 20 8457 030 005 050 |
| 0.6 x 0.6 mm Post Profile 3.5 mm (Y) Straight | 30 | a + b + c fully loaded | 20 8457 030 011 025 | 20 8457 030 011 049 |
| | 20 | a + c fully loaded | 20 8457 030 011 026 | 20 8457 030 011 050 |
| 0.6 x 0.6 mm Post Profile 4.5 mm (Y) Right Angled | 30 | a + b + c fully loaded | 20 8457 030 013 025 | 20 8457 030 013 049 |
| | 20 | a + c fully loaded | 20 8457 030 013 026 | 20 8457 030 013 050 |

NB: Alternative Prefix Variations Available: 22, 24, 25, 26 & 27, please refer to Page 10.
Additional Plating & Loading Variations: Please contact your local AVX sales office or distributor.

LOADING DESCRIPTION



DIMENSIONS



For Y dimension see contact design

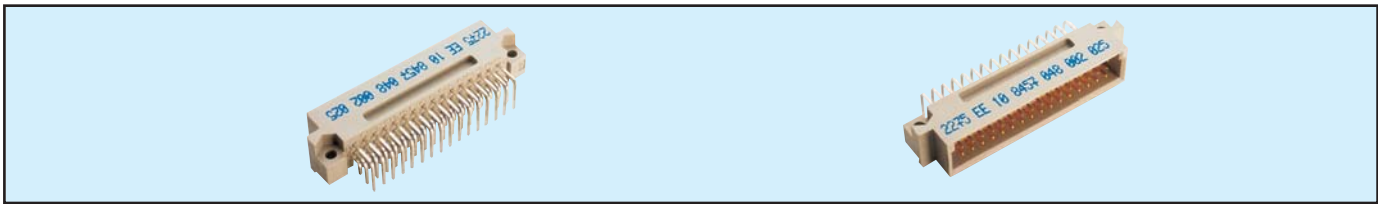
Unit: millimeters (inches)

| No. Contact Positions | Contact Rows | A | B | C | D | E |
|-----------------------|--------------|---|------------------|------------------|------------------|------------------|
| 30 | 3 (3 x 10) | 9 | 22.86 (0.900) | 34.75 (1.368) | 39.70 (1.563) | 29.06 (1.144) |

Male Style 1/2 C



Series 8457 – 3 rows (3 x 16)

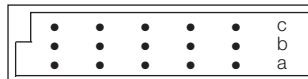


| Contact Design and Termination Length | Number of Contacts | Loading Description | Part Number | |
|---------------------------------------|--------------------|------------------------|--|---------------------|
| | | | Performance classes according to DIN 41612 | |
| | | | II | I |
| 3.4 mm (Y) Straight | 48 | a + b + c fully loaded | 10 8457 048 001 025 | 10 8457 048 001 049 |
| | 32 | a + c fully loaded | 10 8457 048 001 026 | 10 8457 048 001 050 |
| | 16 | a loading only | 10 8457 048 001 027 | 10 8457 048 001 051 |
| 3.0 mm (Y) Right Angled | 48 | a + b + c fully loaded | 10 8457 048 002 025 | 10 8457 048 002 049 |
| | 32 | a + c fully loaded | 10 8457 048 002 026 | 10 8457 048 002 050 |
| | 16 | a loading only | 10 8457 048 002 027 | 10 8457 048 002 051 |
| | 46 + 2 | fully loaded + ground | 10 8457 048 102 025 | 10 8457 048 102 049 |
| 13.0 mm (Y) Straight | 48 | a + b + c fully loaded | 10 8457 048 003 025 | 10 8457 048 003 049 |
| | 32 | a + c fully loaded | 10 8457 048 003 026 | 10 8457 048 003 050 |
| | 16 | a loading only | 10 8457 048 003 027 | 10 8457 048 003 051 |
| 11.3 mm (Y) Right Angled | 48 | a + b + c fully loaded | 10 8457 048 004 025 | 10 8457 048 004 049 |
| | 32 | a + c fully loaded | 10 8457 048 004 026 | 10 8457 048 004 050 |
| | 16 | a loading only | 10 8457 048 004 027 | 10 8457 048 004 051 |
| 2.3 mm (Y) Right Angled | 48 | a + b + c fully loaded | 10 8457 048 008 025 | 10 8457 048 008 049 |
| | 32 | a + c fully loaded | 10 8457 048 008 026 | 10 8457 048 008 050 |
| | 16 | a loading only | 10 8457 048 008 027 | 10 8457 048 008 051 |
| | 46 + 2 | fully loaded + ground | 10 8457 048 108 025 | 10 8457 048 108 049 |

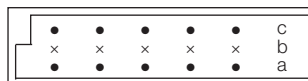
NB: Alternative Prefix Variations Available: 12, 16 & 17, please refer to Page 10.

Additional Plating & Loading Variations: Please contact your local AVX sales office or distributor.

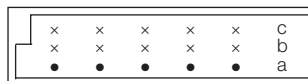
LOADING DESCRIPTION DIMENSIONS



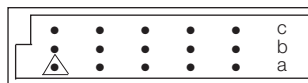
48 contacts, rows a + b + c fully loaded



32 contacts, rows a + c fully loaded

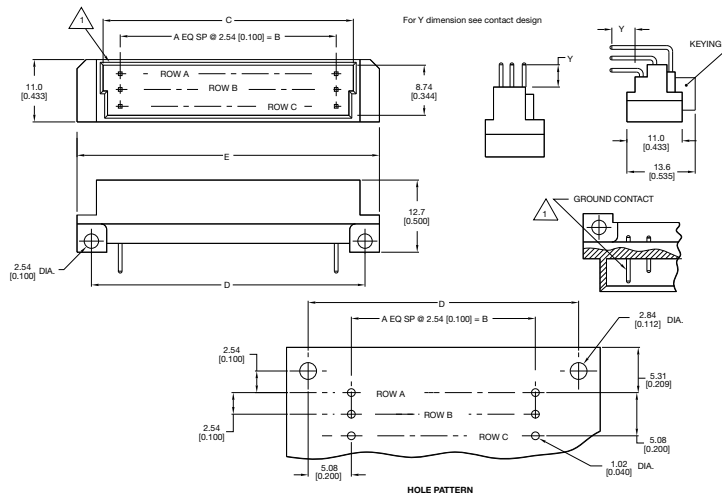


16 contacts, row a loading only



46 + 2 contacts, fully loaded with ground in A1 & A16

△ denotes ground pin

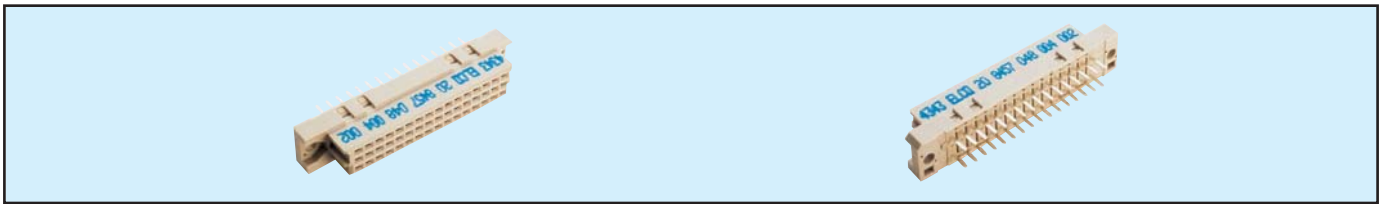


Unit: millimeters (inches)

| No. Contact Positions | Contact Rows | A | B | C | D | E |
|-----------------------|--------------|----|------------------|------------------|------------------|------------------|
| 48 | 3 (3 x 16) | 15 | 38.10 (1.500) | 44.70 (1.760) | 48.26 (1.900) | 53.90 (2.122) |

Female Style 1/2 C

Series 8457 – 3 rows (3 x 16)

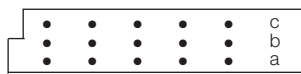


| Contact Design and Termination Length | Number of Contacts | Loading Description | Part Number | |
|--|--------------------|------------------------|--|---------------------|
| | | | Performance classes according to DIN 41612 | |
| | | | II | I |
| 0.6 x 0.6 mm Post Profile 4.5 mm (Y) Straight | 48 | a + b + c fully loaded | 20 8457 048 001 025 | 20 8457 048 001 049 |
| | 32 | a + c fully loaded | 20 8457 048 001 026 | 20 8457 048 001 050 |
| | 16 | a loading only | 20 8457 048 001 027 | 20 8457 048 001 051 |
| 0.6 x 0.6 mm Post Profile 2.9 mm (Y) Straight | 48 | a + b + c fully loaded | 20 8457 048 002 025 | 20 8457 048 002 049 |
| | 32 | a + c fully loaded | 20 8457 048 002 026 | 20 8457 048 002 050 |
| | 16 | a loading only | 20 8457 048 002 027 | 20 8457 048 002 051 |
| 0.6 x 0.6 mm Post Profile 13.0 mm (Y) Straight | 48 | a + b + c fully loaded | 20 8457 048 005 025 | 20 8457 048 005 049 |
| | 32 | a + c fully loaded | 20 8457 048 005 026 | 20 8457 048 005 050 |
| | 16 | a loading only | 20 8457 048 005 027 | 20 8457 048 005 051 |
| 0.6 x 0.6 mm Post Profile 7.0 mm (Y) Straight | 48 | a + b + c fully loaded | 20 8457 048 010 025 | 20 8457 048 010 049 |
| | 32 | a + c fully loaded | 20 8457 048 010 026 | 20 8457 048 010 050 |
| | 16 | a loading only | 20 8457 048 010 027 | 20 8457 048 010 051 |
| 0.6 x 0.6 mm Post Profile 3.5 mm (Y) Straight | 48 | a + b + c fully loaded | 20 8457 048 011 025 | 20 8457 048 011 049 |
| | 32 | a + c fully loaded | 20 8457 048 011 026 | 20 8457 048 011 050 |
| | 16 | a loading only | 20 8457 048 011 027 | 20 8457 048 011 051 |
| 0.6 x 0.6 mm Post Profile 19.4 mm (Y) Straight | 48 | a + b + c fully loaded | 20 8457 048 012 025 | 20 8457 048 012 049 |
| | 32 | a + c fully loaded | 20 8457 048 012 026 | 20 8457 048 012 050 |
| | 16 | a loading only | 20 8457 048 012 027 | 20 8457 048 012 051 |
| 0.6 x 0.6 mm Post Profile 4.5 mm (Y) Right Angled | 48 | a + b + c fully loaded | 20 8457 048 013 025 | 20 8457 048 013 049 |
| | 32 | a + c fully loaded | 20 8457 048 013 026 | 20 8457 048 013 050 |
| | 16 | a loading only | 20 8457 048 013 027 | 20 8457 048 013 051 |

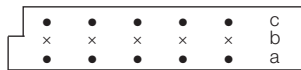
NB: Alternative Prefix Variations Available: 22, 24, 25, 26 & 27, please refer to Page 10.

Additional Plating & Loading Variations: Please contact your local AVX sales office or distributor.

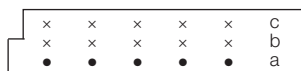
LOADING DESCRIPTION



48 contacts, rows a + b + c fully loaded

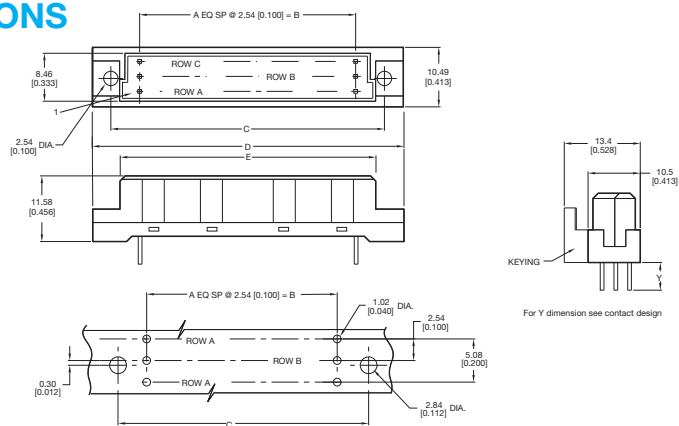


32 contacts, rows a + c fully loaded



16 contacts, row a loading only

DIMENSIONS

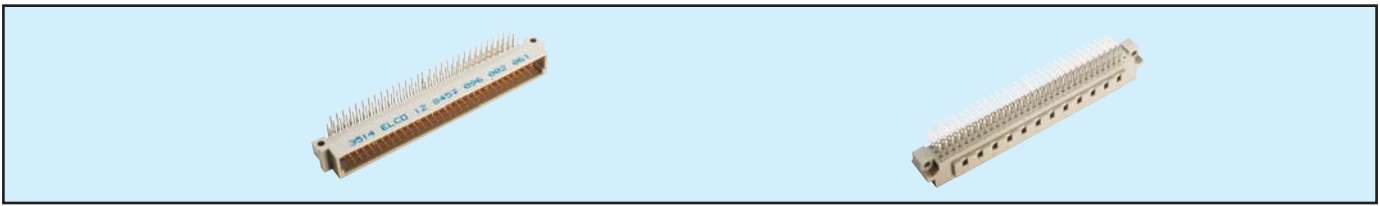


Unit: millimeters (inches)

| No. Contact Positions | Contact Rows | A | B | C | D | E |
|-----------------------|--------------|----|------------------|------------------|------------------|------------------|
| 48 | 3 (3 x 16) | 15 | 38.10 (1.500) | 50.01 (1.969) | 54.89 (2.161) | 44.30 (1.744) |

Male Style C

Series 8457 – 3 rows (3 x 32)

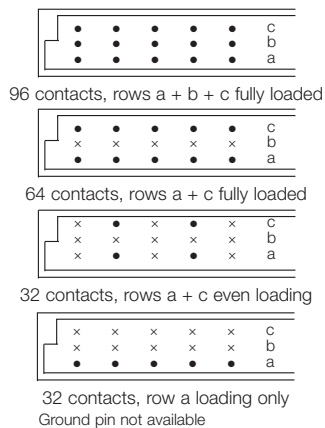


| Contact Design and Termination Length | Number of Contacts | Loading Description | Part Number Performance classes according to DIN 41612 | |
|---------------------------------------|--------------------|------------------------|--|---------------------|
| | | | II | I |
| 3.4 mm (Y) Straight | 96 | a + b + c fully loaded | 10 8457 096 001 025 | 10 8457 096 001 049 |
| | 64 | a + c fully loaded | 10 8457 096 001 026 | 10 8457 096 001 050 |
| | 32 | a + c even loading | 10 8457 096 001 033 | 10 8457 096 001 057 |
| | 32 | a loading only | 10 8457 096 001 027 | 10 8457 096 001 051 |
| 3.0 mm (Y) Right Angled | 96 | a + b + c fully loaded | 10 8457 096 002 025 | 10 8457 096 002 049 |
| | 64 | a + c fully loaded | 10 8457 096 002 026 | 10 8457 096 002 050 |
| | 32 | a + c even loading | 10 8457 096 002 033 | 10 8457 096 002 057 |
| | 32 | a loading only | 10 8457 096 002 027 | 10 8457 096 002 051 |
| 13.0 mm (Y) Straight | 96 | a + b + c fully loaded | 10 8457 096 003 025 | 10 8457 096 003 049 |
| | 64 | a + c fully loaded | 10 8457 096 003 026 | 10 8457 096 003 050 |
| | 32 | a + c even loading | 10 8457 096 003 033 | 10 8457 096 003 057 |
| | 32 | a loading only | 10 8457 096 003 027 | 10 8457 096 003 051 |
| 11.3mm (Y) Right Angled | 96 | a + b + c fully loaded | 10 8457 096 004 025 | 10 8457 096 004 049 |
| | 64 | a + c fully loaded | 10 8457 096 004 026 | 10 8457 096 004 050 |
| | 32 | a + c even loading | 10 8457 096 004 033 | 10 8457 096 004 057 |
| | 32 | a loading only | 10 8457 096 004 027 | 10 8457 096 004 051 |
| 7.7 mm (Y) Solder Hole | 96 | a + b + c fully loaded | 10 8457 096 006 025 | 10 8457 096 006 049 |
| | 64 | a + c fully loaded | 10 8457 096 006 026 | 10 8457 096 006 050 |
| | 32 | a + c even loading | 10 8457 096 006 033 | 10 8457 096 006 057 |
| | 32 | a loading only | 10 8457 096 006 027 | 10 8457 096 006 051 |
| 6.4 mm (Y) Solder Loop | 96 | a + b + c fully loaded | 10 8457 096 007 025 | 10 8457 096 007 049 |
| | 64 | a + c fully loaded | 10 8457 096 007 026 | 10 8457 096 007 050 |
| | 32 | a + c even loading | 10 8457 096 007 033 | 10 8457 096 007 057 |
| | 32 | a loading only | 10 8457 096 007 027 | 10 8457 096 007 051 |
| 2.3 mm (Y) Right Angled | 96 | a + b + c fully loaded | 10 8457 096 008 025 | 10 8457 096 008 049 |
| | 64 | a + c fully loaded | 10 8457 096 008 026 | 10 8457 096 008 050 |
| | 32 | a + c even loading | 10 8457 096 008 033 | 10 8457 096 008 057 |
| | 32 | a loading only | 10 8457 096 008 027 | 10 8457 096 008 051 |

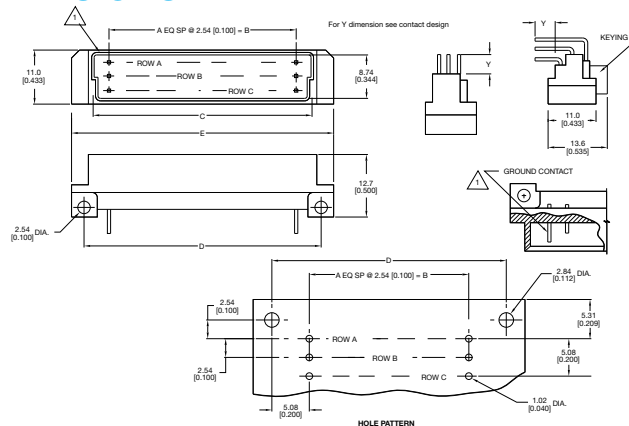
NB: Alternative Prefix Variations Available: 12, 16 & 17, please refer to Page 10.

Additional Plating & Loading Variations: Please contact your local AVX sales office or distributor.

LOADING DESCRIPTION



DIMENSIONS

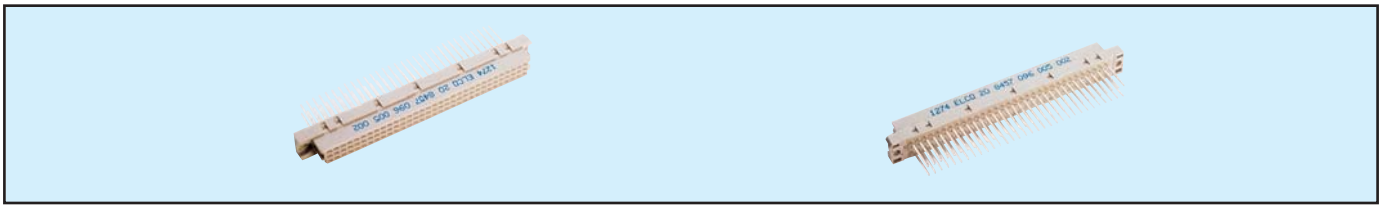


Unit: millimeters (inches)

| | |
|-----------------------|---------------|
| No. Contact Positions | 96 |
| Contact Rows | 3 (3 x 32) |
| A | 31 |
| B | 78.74 (3.100) |
| C | 85.29 (3.358) |
| D | 88.90 (3.500) |
| E | 93.90 (3.697) |

Female Style C

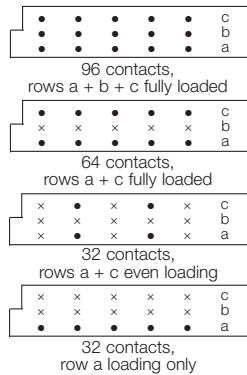
Series 8457 – 3 rows (3 x 32)



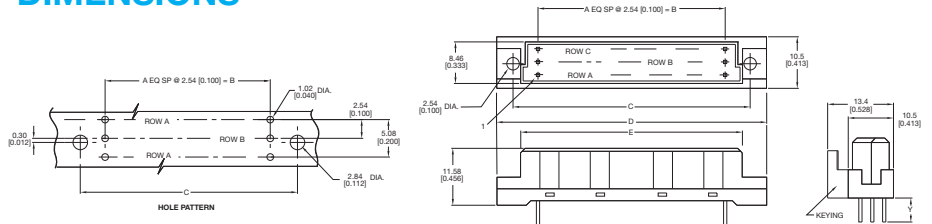
| Contact Design and Termination Length | Number of Contacts | Loading Description | Part Number Performance classes according to DIN 41612 | |
|--|--------------------|------------------------|--|---------------------|
| | | | II | I |
| 0.6 x 0.6 mm Post Profile 4.5 mm (Y) Straight | 96 | a + b + c fully loaded | 20 8457 096 001 025 | 20 8457 096 001 049 |
| | 64 | a + c fully loaded | 20 8457 096 001 026 | 20 8457 096 001 050 |
| | 32 | a + c even loading | 20 8457 096 001 033 | 20 8457 096 001 057 |
| | 32 | a loading only | 20 8457 096 001 027 | 20 8457 096 001 051 |
| 0.6 x 0.6 mm Post Profile 2.9 mm (Y) Straight | 96 | a + b + c fully loaded | 20 8457 096 002 025 | 20 8457 096 002 049 |
| | 64 | a + c fully loaded | 20 8457 096 002 026 | 20 8457 096 002 050 |
| | 32 | a + c even loading | 20 8457 096 002 033 | 20 8457 096 002 057 |
| | 32 | a loading only | 20 8457 096 002 027 | 20 8457 096 002 051 |
| 0.6 x 0.6 mm Post Profile 13.0 mm (Y) Straight | 96 | a + b + c fully loaded | 20 8457 096 005 025 | 20 8457 096 005 049 |
| | 64 | a + c fully loaded | 20 8457 096 005 026 | 20 8457 096 005 050 |
| | 32 | a + c even loading | 20 8457 096 005 033 | 20 8457 096 005 057 |
| | 32 | a loading only | 20 8457 096 005 027 | 20 8457 096 005 051 |
| 0.6 x 0.6 mm Post Profile 7.0 mm (Y) Straight | 96 | a + b + c fully loaded | 20 8457 096 010 025 | 20 8457 096 010 049 |
| | 64 | a + c fully loaded | 20 8457 096 010 026 | 20 8457 096 010 050 |
| | 32 | a + c even loading | 20 8457 096 010 033 | 20 8457 096 010 057 |
| | 32 | a loading only | 20 8457 096 010 027 | 20 8457 096 010 051 |
| 0.6 x 0.6 mm Post Profile 3.5 mm (Y) Straight | 96 | a + b + c fully loaded | 20 8457 096 011 025 | 20 8457 096 011 049 |
| | 64 | a + c fully loaded | 20 8457 096 011 026 | 20 8457 096 011 050 |
| | 32 | a + c all even loading | 20 8457 096 011 033 | 20 8457 096 011 057 |
| | 32 | a loading only | 20 8457 096 011 027 | 20 8457 096 011 051 |
| 0.6 x 0.6 mm Post Profile 19.4 mm (Y) Straight | 96 | a + b + c fully loaded | 20 8457 096 012 025 | 20 8457 096 012 049 |
| | 64 | a + c fully loaded | 20 8457 096 012 026 | 20 8457 096 012 050 |
| | 32 | a + c even loading | 20 8457 096 012 033 | 20 8457 096 012 057 |
| | 32 | a loading only | 20 8457 096 012 027 | 20 8457 096 012 051 |
| 0.6 x 0.6 mm Post Profile 4.5 mm (Y) Right Angled | 96 | a + b + c fully loaded | 20 8457 096 013 025 | 20 8457 096 013 049 |
| | 64 | a + c fully loaded | 20 8457 096 013 026 | 20 8457 096 013 050 |
| | 32 | a + c even loading | 20 8457 096 013 033 | 20 8457 096 013 057 |
| | 32 | a loading only | 20 8457 096 013 027 | 20 8457 096 013 051 |

NB: Alternative Prefix Variations Available: 22, 24, 25, 26 & 27, please refer to Page 10.
Additional Plating & Loading Variations: Please contact your local AVX sales office or distributor.

LOADING DESCRIPTION



DIMENSIONS

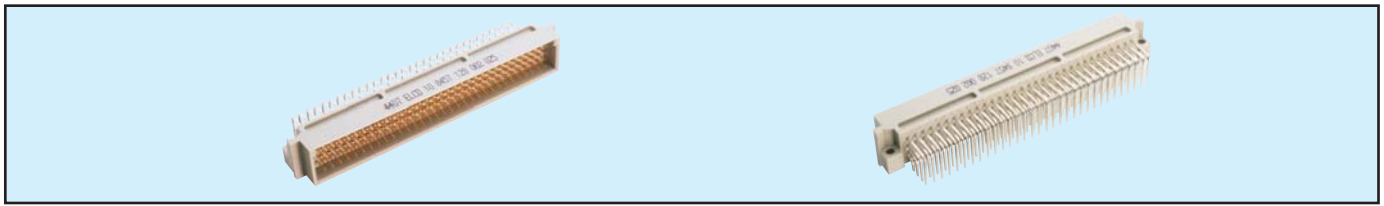


| No. Contact Positions | Contact Rows | A | B | C | D | E |
|-----------------------|--------------|----|---------------|---------------|---------------|---------------|
| 96 | 3 (3 x 32) | 31 | 78.74 (3.100) | 89.99 (3.543) | 94.89 (3.736) | 84.91 (3.343) |

Male Style C Expanded



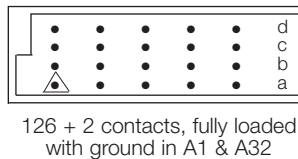
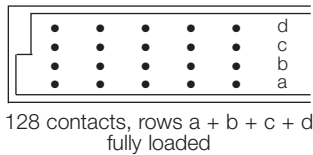
Series 8457 – 4 rows (4 x 32)



| Contact Design and Termination Length | Number of Contacts | Loading Description | Part Number Performance classes according to DIN 41612 | |
|---------------------------------------|--------------------|------------------------------|--|---------------------|
| | | | II | I |
| 3.4 mm (Y) Straight | 128 | a + b + c + d fully loaded | 10 8457 128 001 025 | 10 8457 128 001 049 |
| | 126 + 2 | 4 rows fully loaded + ground | 10 8457 128 101 025 | 10 8457 128 101 049 |
| 3.0 mm (Y) Right Angled | 128 | a + b + c + d fully loaded | 10 8457 128 002 025 | 10 8457 128 002 049 |
| | 126 + 2 | 4 rows fully loaded + ground | 10 8457 128 102 025 | 10 8457 128 102 049 |

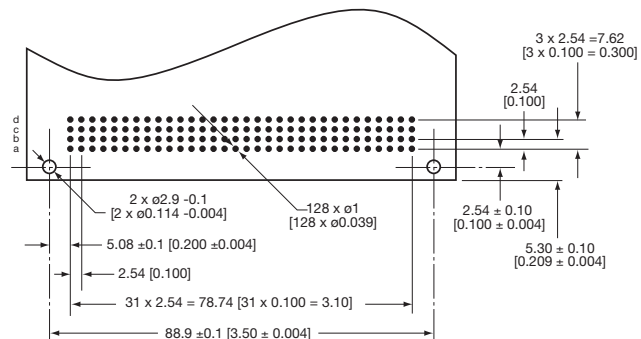
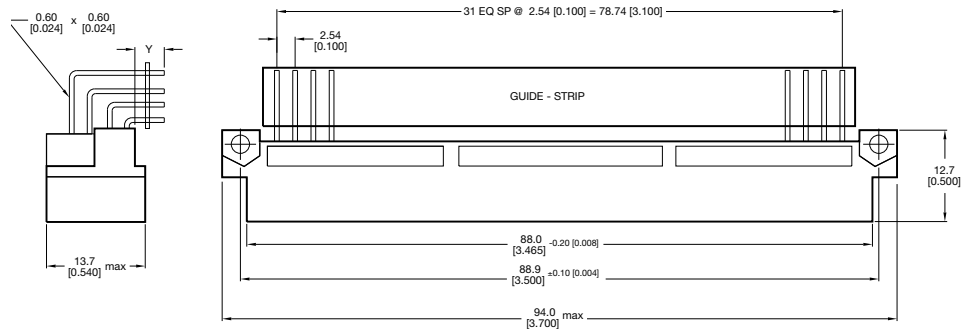
NB: Alternative Prefix Variations Available: 12, 16 & 17, please refer to Page 10.
Additional Plating & Loading Variations: Please contact your local AVX sales office or distributor.

LOADING DESCRIPTION



△ denotes ground pin

DIMENSIONS



HOLE PATTERN

Male Style C Expanded



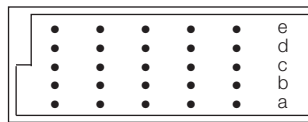
Series 8457 – 5 rows (5 x 32)



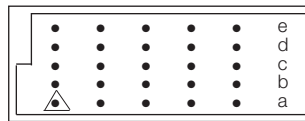
| Contact Design and Termination Length | Number of Contacts | Loading Description | Part Number Performance classes according to DIN 41612 | |
|---------------------------------------|--------------------|--------------------------------|--|---------------------|
| | | | II | I |
| 3.4 mm (Y) Straight | 160 | a + b + c + d + e fully loaded | 10 8457 160 001 025 | 10 8457 160 001 049 |
| | 158 + 2 | 5 rows fully loaded + ground | 10 8457 160 101 025 | 10 8457 160 101 049 |
| 3.0 mm (Y) Right Angled | 160 | a + b + c + d + e fully loaded | 10 8457 160 002 025 | 10 8457 160 002 049 |
| | 158 + 2 | 5 rows fully loaded + ground | 10 8457 160 102 025 | 10 8457 160 102 049 |

NB: Alternative Prefix Variations Available: 16 & 17, please refer to Page 10.
Additional Plating & Loading Variations: Please contact your local AVX sales office or distributor.

LOADING DESCRIPTION



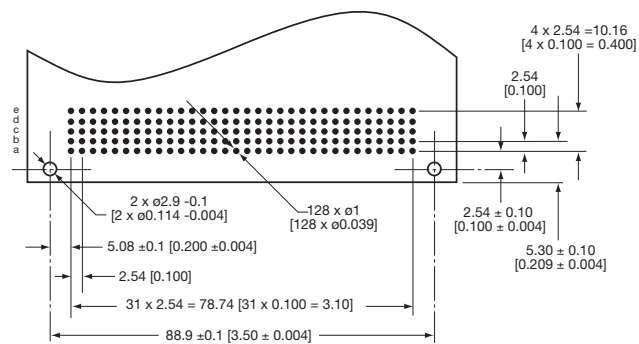
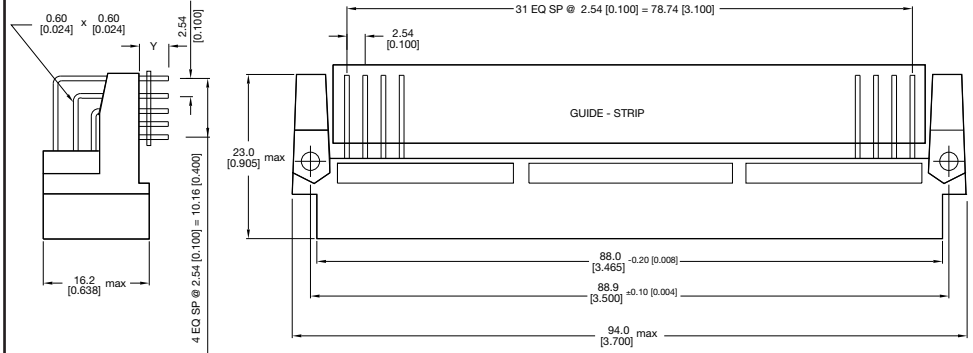
160 contacts, rows a + b + c + d + e fully loaded



158 + 2 contacts, fully loaded with ground in A1 & A32

△ denotes ground pin

DIMENSIONS



HOLE PATTERN

X-ON Electronics

Largest Supplier of Electrical and Electronic Components

Click to view similar products for [DIN 41612 Connectors](#) category:

Click to view products by [AVX](#) manufacturer:

Other Similar products are found below :

[09231126901](#) [PCN10F-24P-2.54DS\(72\)](#) [004.767](#) [02221602702](#) [024069](#) [602427301412000](#) [013275](#) [691327-1](#) [74670-0732](#) [74680-0340](#)
[75880-0015](#) [76453-0014](#) [86093159ALF](#) [923454](#) [QLC260R](#) [120X10099X](#) [120X10019X](#) [120X10089X](#) [120X10129X](#) [121A10039X](#)
[121A10309X](#) [122A10019X](#) [122A10029X](#) [122A10249X](#) [122A10669X](#) [122A11089X](#) [122A13089X](#) [122A10089X](#) [122A10129X](#)
[122A10349X](#) [122A13359X](#) [1377391-4](#) [DIN-048CPC-SR1-MH](#) [1393583-2](#) [1393726-7](#) [140X10059X](#) [140X10129X](#) [143-1913-000](#) [143-1908-](#)
[000](#) [1484472-1](#) [173052](#) [2110070-1](#) [2110070-2](#) [CBC20T00-008FDS5-0-1-002VR](#) [983-0SE12-12P6](#) [17041102202](#) [172699-5036](#) [173051](#) [20](#)
[8457096](#) [010](#) [025](#) [208458096005133](#)