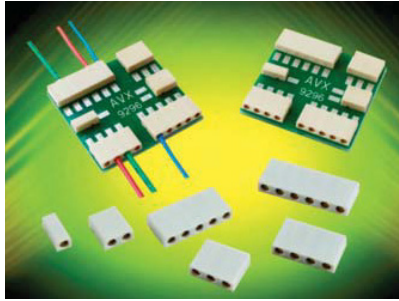


POKE-HOME: LOW PROFILE HORIZONTAL

20-26 AWG: 9296-200



General Information



The new 9296 series connector provides a quick and reliable wire-to-board termination in a sleek 3.0mm pitch by 2.5mm high SMT package for a broad range of industrial and commercial applications. With almost every product on the market having to deal with a small number of discrete wires connecting components to a PCB, the 9296 connector series meets this challenge by simply stripping the wire and inserting them into a 1 to 6 position connector. This makes the connector very cost effective and termination friendly within the factory as well as in the field by electrical installers.

Developed for harsh industrial applications, the connector integrates the already proven 2mm dual beam poke-home contact into a connector housing. The high spring force Phosphor Bronze contact accepts a wide range (20-26AWG solid or stranded) of wire to accommodate any wire combination within a single connector.

APPLICATIONS

- Machine Controls: motors, drives, solenoids, sensors, fans and pumps
- Commercial Buildings: controls, security, fire and sensors
- Smart Grid: meters, breakers and panels
- SSL/LED: bulbs, fixtures, signage and streetlights
- Application notes: refer to 201-01-167

FEATURES AND BENEFITS

- Simple strip and poke-home wire insertion with easy twist and pull wire extraction
- 2.5mm height achieves the lowest height possible for this AWG range
- Accepts 20-26 AWG solid and stranded wires
- High spring force dual beam box contact provides maximum mechanical stability and wire retention
- UL approved
- Halogen free

ELECTRICAL

- Current Rating: See matrix below
- Voltage Rating: 300 VAC

ENVIRONMENTAL

- Operating Temperature: -40°C to +130°C

MECHANICAL

- Insulator Material: Glass-Filled Nylon 46; UL94V0
- Contact Material: Phosphor Bronze
- Plating: Tin over Nickel
- Durability: 3 Cycles

HOW TO ORDER

| 00 | 9296 | 00X | 2X | 2 | X | X | 6 |
|--------|--------|--|---|--------------------------------|--|-------------------|--------------------------|
| Prefix | Series | Number of Ways | Description | Wire Gauge Size | Insulator Color | Halogen Free | Plating Options |
| | | 001 = 1 002 = 2 003 = 3 004 = 4 005 = 5 006 = 6 | 20 = Horizontal SMT Mount Poke Home Connector 21 = Horizontal SMT Mount Poke Home Connector for pass through mating pins | 20AWG to 26AWG Max ø 1.60mm | All Sizes 9 = UL White (Standard) 8 = UL Black (Special Order) One Way Only (Special Order) 2 = UL Brown 3 = UL Blue 4 = UL Yellow 5 = UL Red 6 = UL Green 7 = UL Orange | 0 = No 1 = Yes | 6 = Pure Tin over Nickel |



CURRENT RATING

| | 20AWG | 22AWG | 24AWG | 26AWG |
|-----|-------|-------|-------|-------|
| UL | 8A | 7A | 6A | 5A |
| cUL | 6A | 5A | 3.75A | 3.75A |

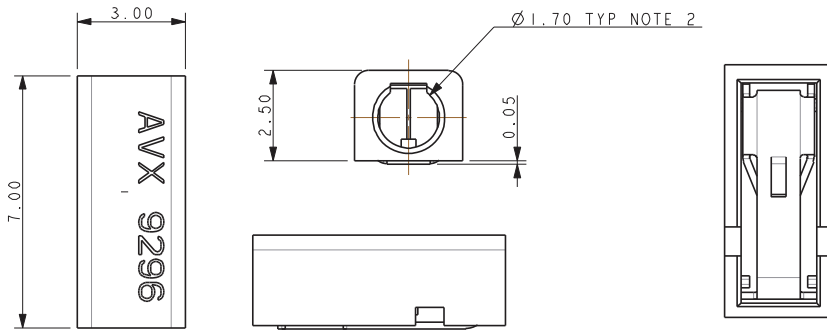
Certification: UL File #E90723

POKE-HOME: LOW PROFILE HORIZONTAL 20-26 AWG: 9296-200



1 Position

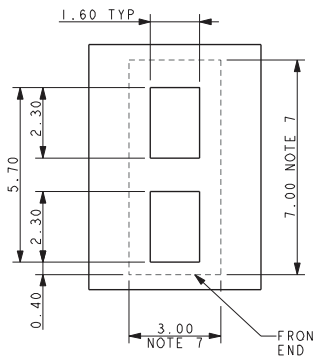
9296 HORIZONTAL MOUNT POKE HOME CONNECTOR – 1 WAY



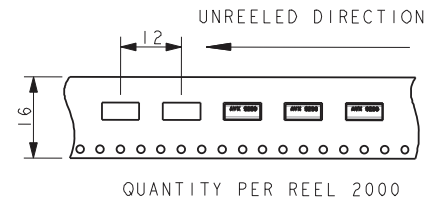
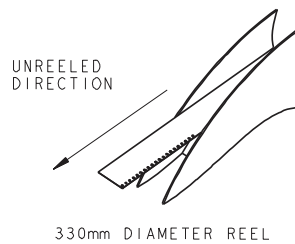
NOTES:

1. HORIZONTAL SMT MOUNT 1 WAY POKE HOME CONNECTOR. FOR FURTHER DETAILS REFER TO PRODUCT SPECIFICATION 201-01-166 AND APPLICATION NOTES 201-01-167.
2. SUITABLE FOR WIRES 20AWG TO 26AWG, MAXIMUM INSULATION 1.60MM DIAMETER.
3. INSULATOR: NYLON 46, GLASS FILLED, UL94 V-0, COLOR SEE PAGE 122.
4. CONTACT: TIN PLATED COPPER ALLOY.
5. PACKING IN TAPE AND REEL, QTY PER REEL 2000, 330MM REEL.
6. GENERAL TOLERANCE ± 0.20 .
7. OUTLINE OF CONNECTOR.
8. UL REFERENCE E90723 (US AND CANADA).

SUGGESTED PCB LAYOUT



PACKING DETAILS



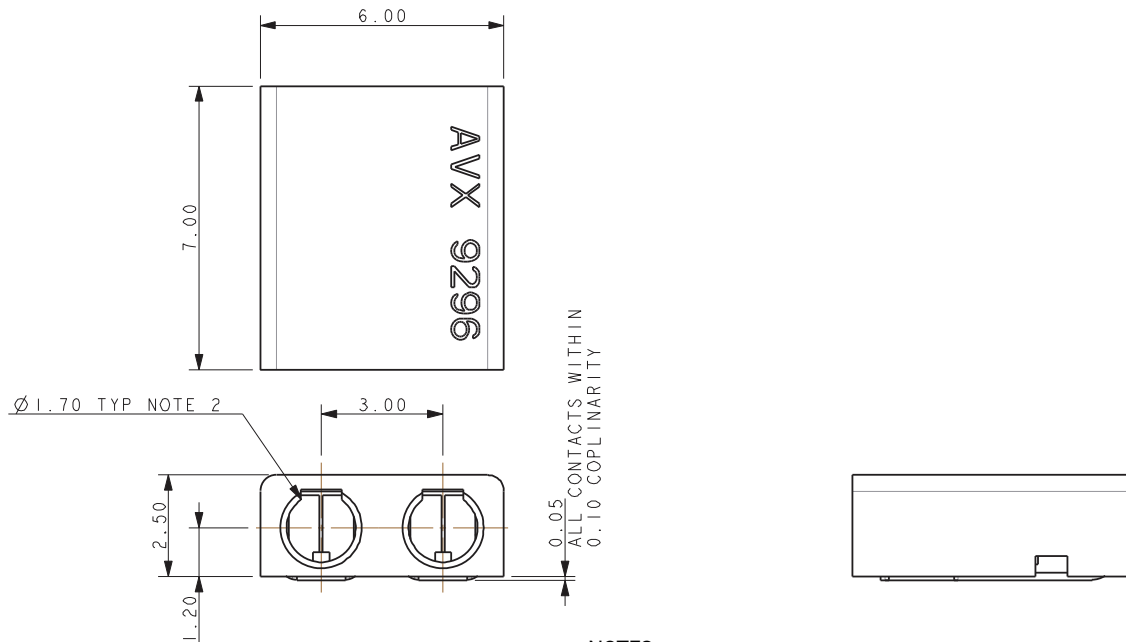
POKE-HOME: LOW PROFILE HORIZONTAL

20-26 AWG: 9296-200



2 Position

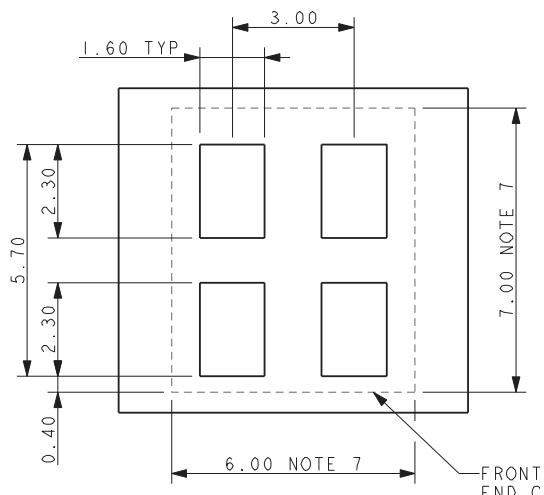
9296 HORIZONTAL MOUNT POKE HOME CONNECTOR – 2 WAY



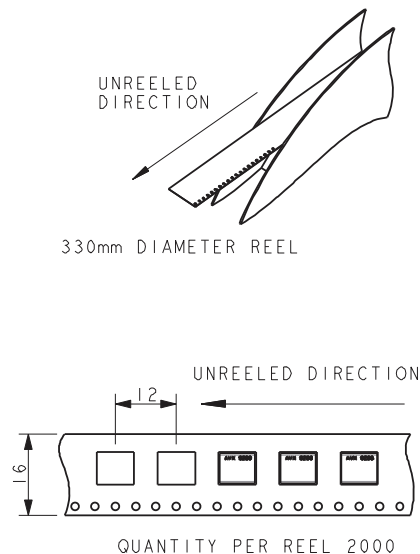
NOTES:

1. HORIZONTAL SMT MOUNT 2 WAY POKE HOME CONNECTOR. FOR FURTHER DETAILS REFER TO PRODUCT SPECIFICATION 201-01-166 AND APPLICATION NOTES 201-01-167.
2. SUITABLE FOR WIRES 20AWG TO 26AWG, MAXIMUM INSULATION 1.60MM DIAMETER.
3. INSULATOR: NYLON 46, GLASS FILLED, UL94 V-O, COLOR SEE PAGE 122.
4. CONTACT: TIN PLATED COPPER ALLOY.
5. PACKING IN TAPE AND REEL, QTY PER REEL 2000, 330MM REEL.
6. GENERAL TOLERANCE ± 0.20 .
7. OUTLINE OF CONNECTOR.
8. UL REFERENCE E90723 (US AND CANADA).

SUGGESTED PCB LAYOUT



PACKING DETAILS

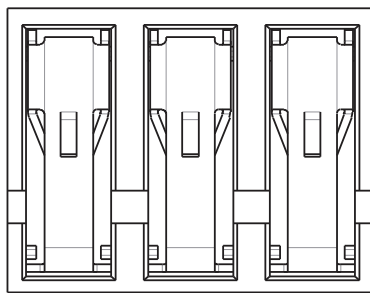
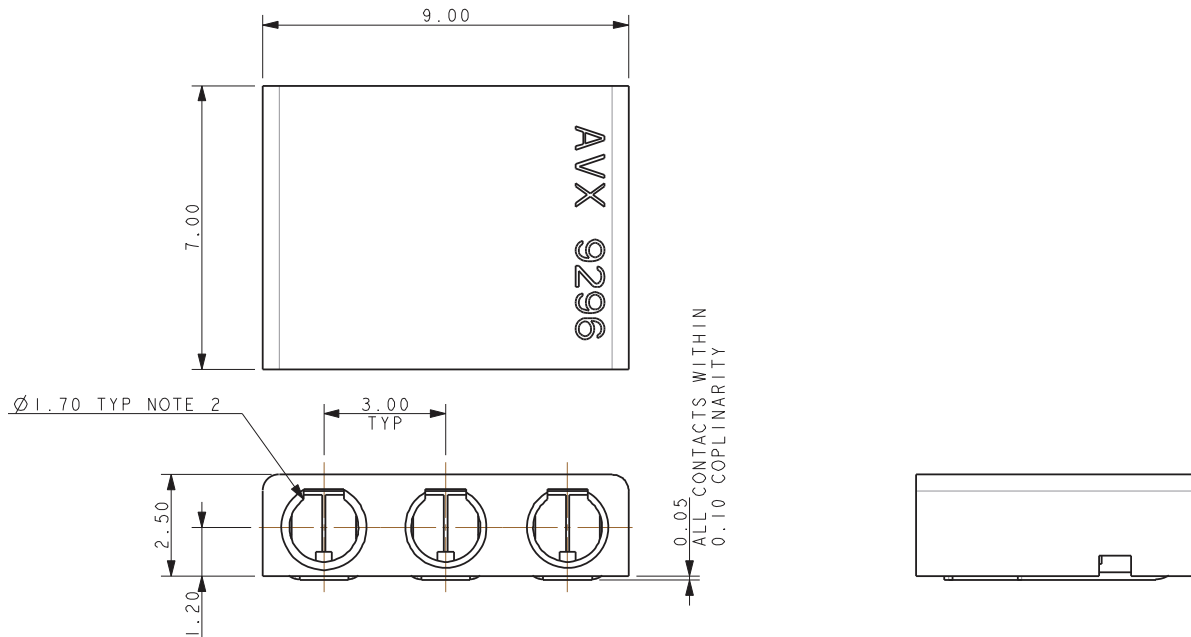


POKE-HOME: LOW PROFILE HORIZONTAL 20-26 AWG: 9296-200



3 Position

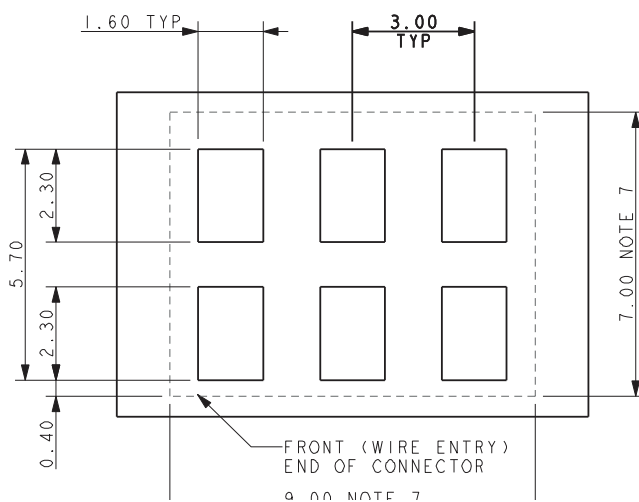
9296 HORIZONTAL MOUNT POKE HOME CONNECTOR – 3 WAY



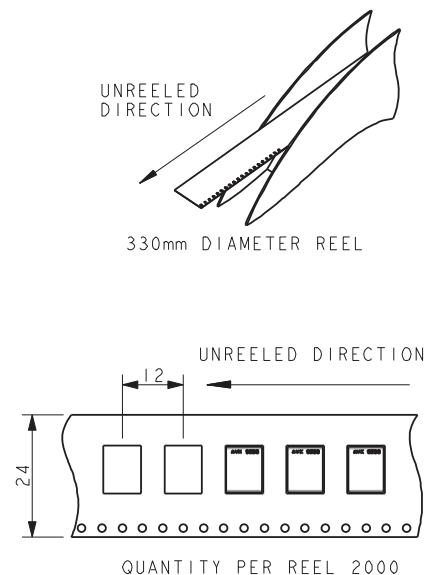
NOTES:

1. HORIZONTAL SMT MOUNT 3 WAY POKE HOME CONNECTOR. FOR FURTHER DETAILS REFER TO PRODUCT SPECIFICATION 201-01-166 AND APPLICATION NOTES 201-01-167.
2. SUITABLE FOR WIRES 20AWG TO 26AWG, MAXIMUM INSULATION 1.60MM DIAMETER.
3. INSULATOR: NYLON 46, GLASS FILLED, UL94 V-0, COLOR SEE PAGE 122.
4. CONTACT: TIN PLATED COPPER ALLOY.
5. PACKING IN TAPE AND REEL, QTY PER REEL 2000, 330MM REEL.
6. GENERAL TOLERANCE ± 0.20 .
7. OUTLINE OF CONNECTOR.
8. UL REFERENCE E90723 (US AND CANADA).

SUGGESTED PCB LAYOUT



PACKING DETAILS



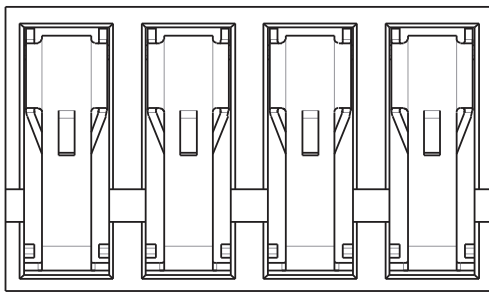
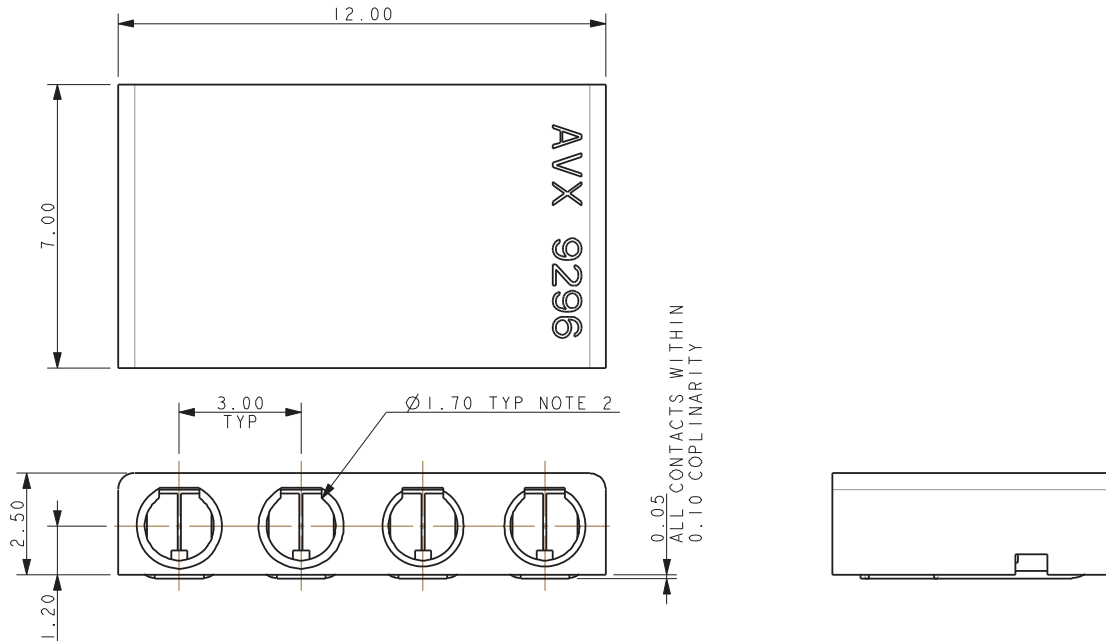
The Important Information/Disclaimer is incorporated in the catalog where these specifications came from or available online at www.avx.com/disclaimer/ by reference and should be reviewed in full before placing any order.

POKE-HOME: LOW PROFILE HORIZONTAL 20-26 AWG:9296-200



4 Position

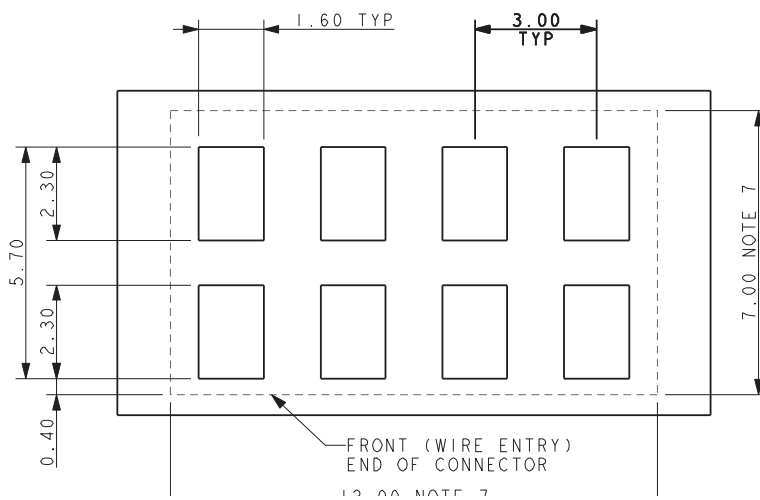
9296 HORIZONTAL MOUNT POKE HOME CONNECTOR – 4 WAY



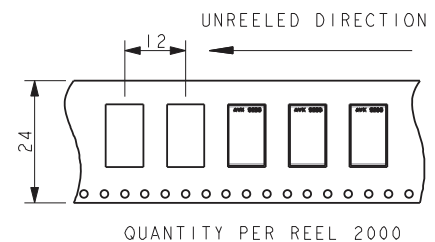
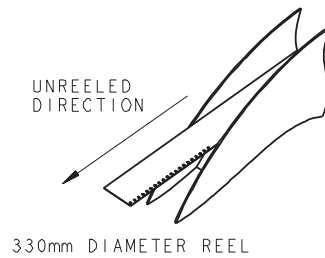
NOTES:

1. HORIZONTAL SMT MOUNT 4 WAY POKE HOME CONNECTOR. FOR FURTHER DETAILS REFER TO PRODUCT SPECIFICATION 201-01-166 AND APPLICATION NOTES 201-01-167.
2. SUITABLE FOR WIRES 20AWG TO 26AWG, MAXIMUM INSULATION 1.60MM DIAMETER.
3. INSULATOR: NYLON 46, GLASS FILLED, UL94 V-0, COLOR SEE PAGE 122.
4. CONTACT: TIN PLATED COPPER ALLOY.
5. PACKING IN TAPE AND REEL, QTY PER REEL 2000, 330MM REEL.
6. GENERAL TOLERANCE ± 0.20 .
7. OUTLINE OF CONNECTOR.
8. UL REFERENCE E90723 (US AND CANADA).

SUGGESTED PCB LAYOUT



PACKING DETAILS



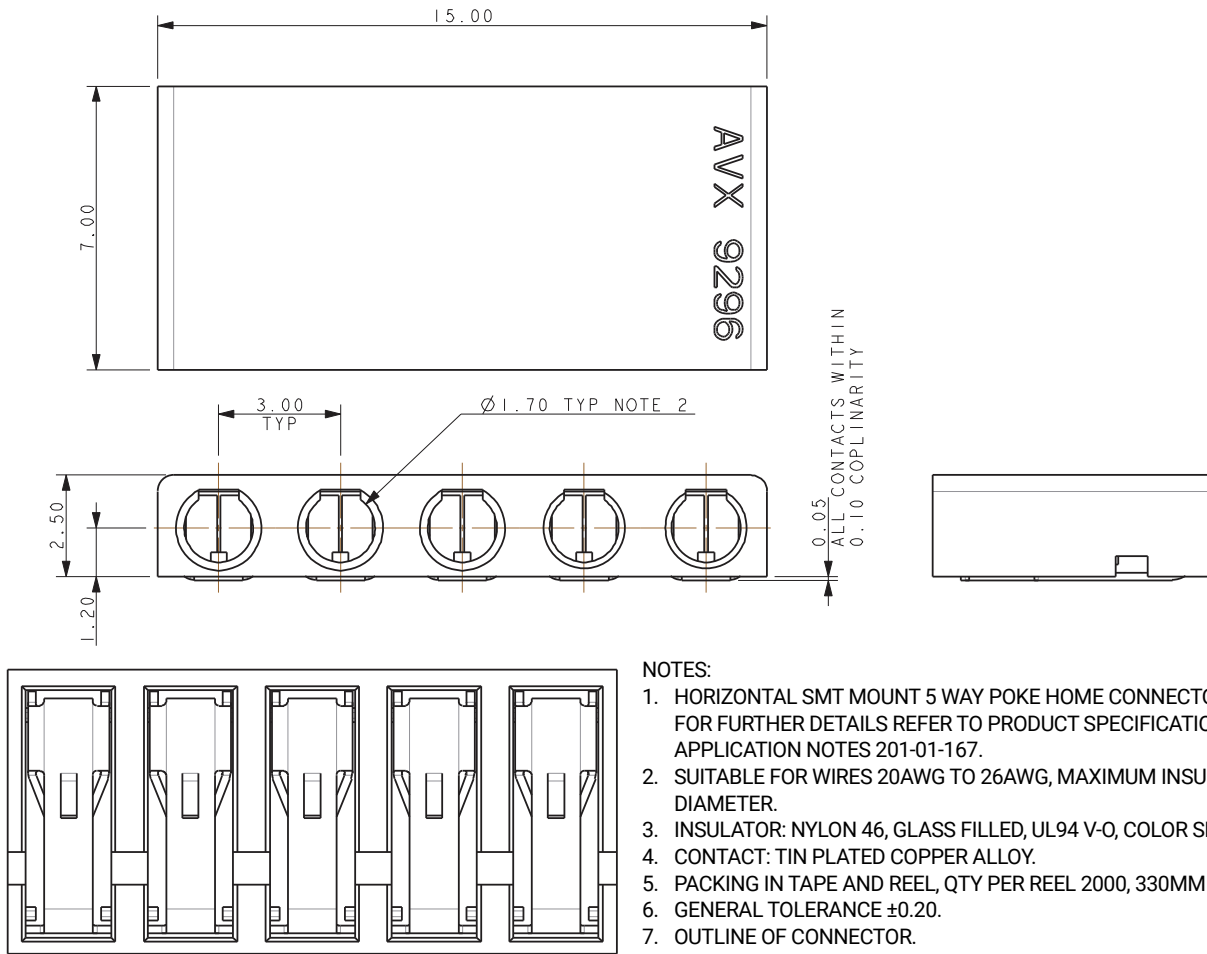
POKE-HOME: LOW PROFILE HORIZONTAL

20-26 AWG: 9296-200

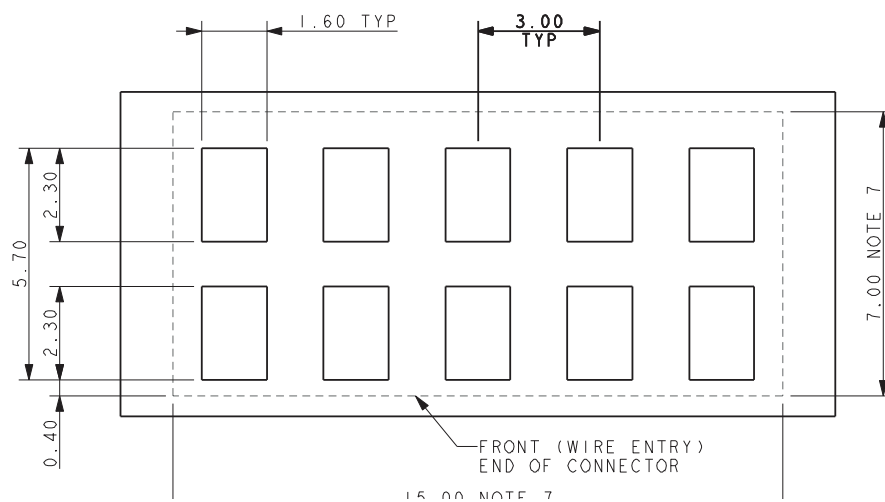


5 Position

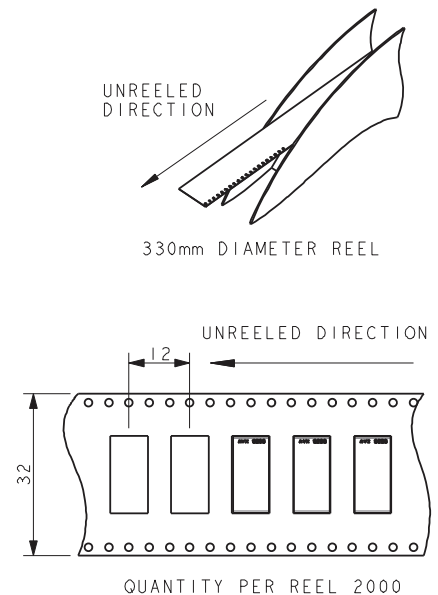
9296 HORIZONTAL MOUNT POKE HOME CONNECTOR – 5 WAY



SUGGESTED PCB LAYOUT



PACKING DETAILS



The Important Information/Disclaimer is incorporated in the catalog where these specifications came from or available online at www.avx.com/disclaimer/ by reference and should be reviewed in full before placing any order.

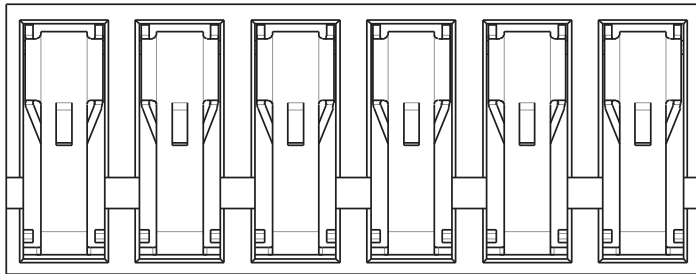
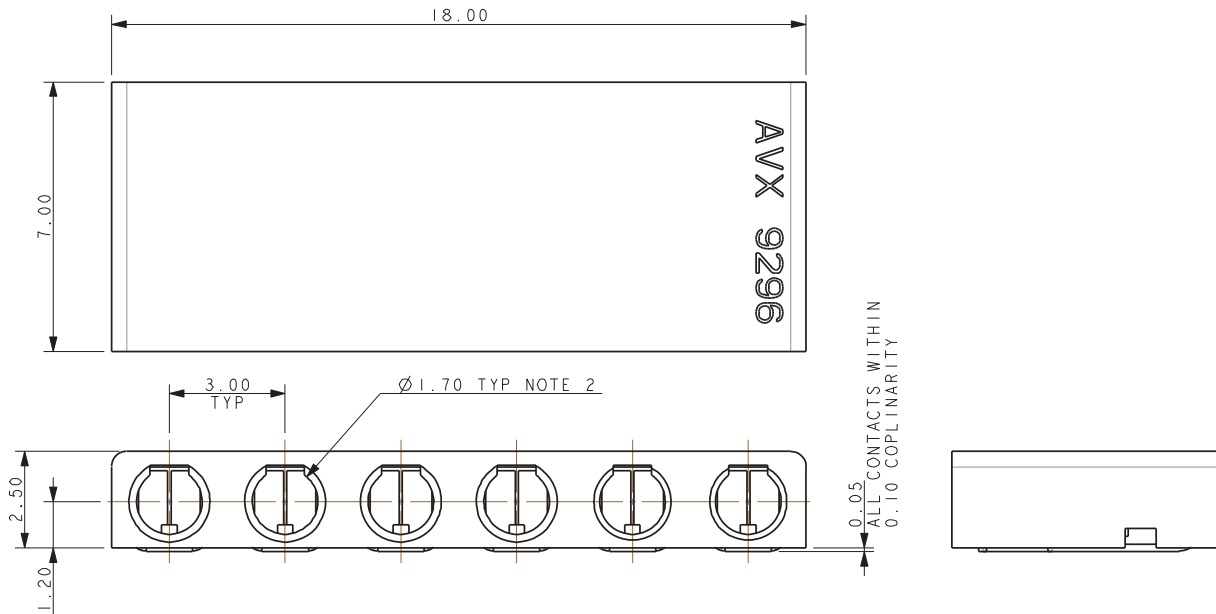
POKE-HOME: LOW PROFILE HORIZONTAL

20-26 AWG: 9296-200



6 Position

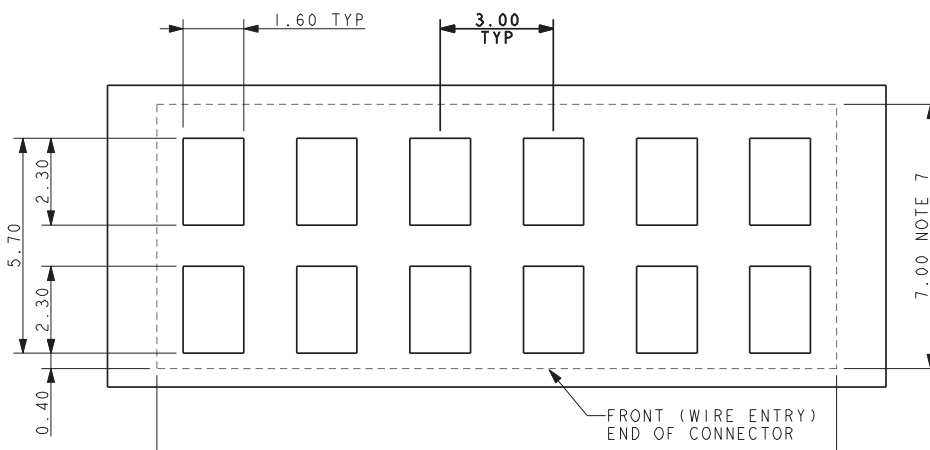
9296 HORIZONTAL MOUNT POKE HOME CONNECTOR – 6 WAY



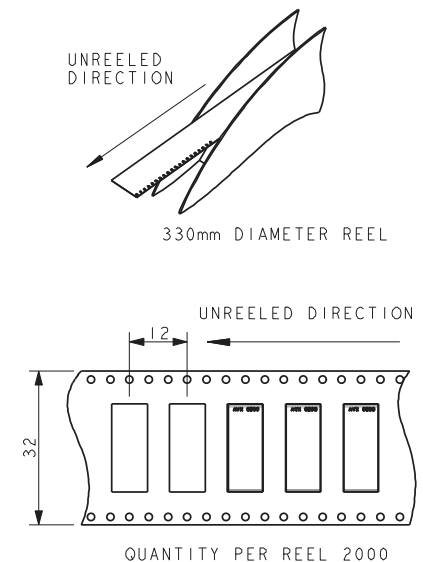
NOTES:

1. HORIZONTAL SMT MOUNT 6 WAY POKE HOME CONNECTOR. FOR FURTHER DETAILS REFER TO PRODUCT SPECIFICATION 201-01-166 AND APPLICATION NOTES 201-01-167.
2. SUITABLE FOR WIRES 20AWG TO 26AWG, MAXIMUM INSULATION 1.60MM DIAMETER.
3. INSULATOR: NYLON 46, GLASS FILLED, UL94 V-O, COLOR SEE PAGE 122.
4. CONTACT: TIN PLATED COPPER ALLOY.
5. PACKING IN TAPE AND REEL, QTY PER REEL 2000, 330MM REEL.
6. GENERAL TOLERANCE ± 0.20 .
7. OUTLINE OF CONNECTOR.
8. UL REFERENCE E90723 (US AND CANADA).

SUGGESTED PCB LAYOUT



PACKING DETAILS



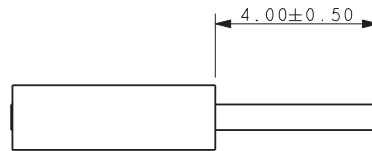
POKE-HOME: LOW PROFILE HORIZONTAL

20-26 AWG: 9296-200

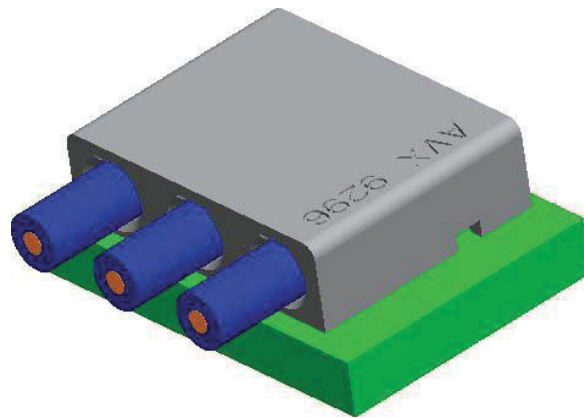


Assembly

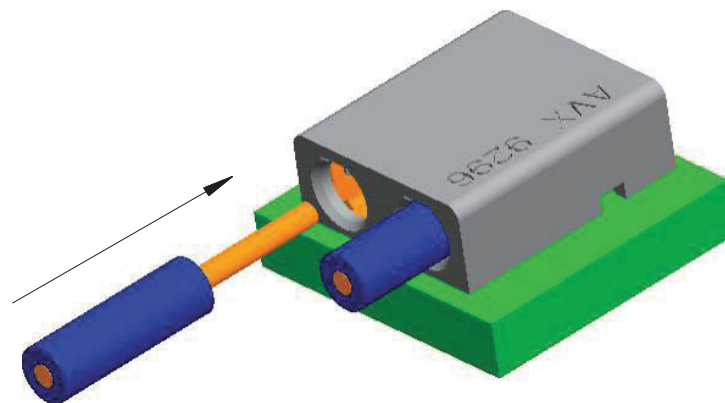
9296 HORIZONTAL MOUNT POKE HOME CONNECTOR – ASSEMBLY



WIRE STRIP LENGTH



REFER TO APPLICATION NOTES 201-01-167
FOR FULL ASSEMBLY PROCEDURE



X-ON Electronics

Largest Supplier of Electrical and Electronic Components

Click to view similar products for [Headers & Wire Housings](#) category:

Click to view products by [AVX](#) manufacturer:

Other Similar products are found below :

[95000-104TRLF](#) [10135584-644402LF](#) [DF62W-EP2022PCA](#) [95000-106TRLF](#) [DF62W-2022SCA](#) [DF62W-EP2022PC](#) [2203348](#) [DF62W-2022SC](#) [1084018](#) [1029039](#) [1084017](#) [802-10-012-10-002000](#) [1112640](#) [1112639](#) [891-007-9SS-BST1T](#) [000-34000](#) [0008550134](#) [0009482033](#) [0009507031](#) [57102-F02-18ULF](#) [57102-S06-03LF](#) [57202-S52-04LF](#) [PCN6-15S-2.5E](#) [0039019024](#) [58102-G61-06LF](#) [582553-1](#) [0009485154](#) [0009508121](#) [0022285053](#) [0050291907](#) [018731A](#) [LY20-4P-DT1-P1E-BR](#) [02.125.8002.8](#) [60101931](#) [60598-1 \(Cut Strip\)](#) [M1625-3R/100](#) [61062-3](#) [61082-181009](#) [CSU011177004](#) [636-1427](#) [638009-1](#) [641938-9](#) [641991-4](#) [644168-1](#) [644827-2](#) [647662-1](#) [65039-019ELF](#) [65692-001LF](#) [65781-018](#) [65781-047](#)