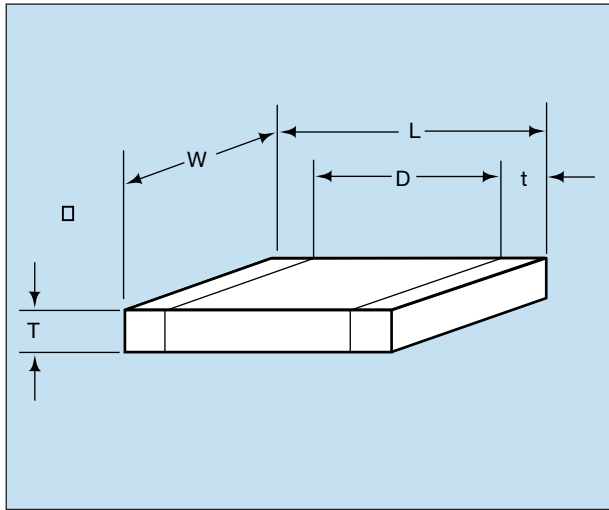
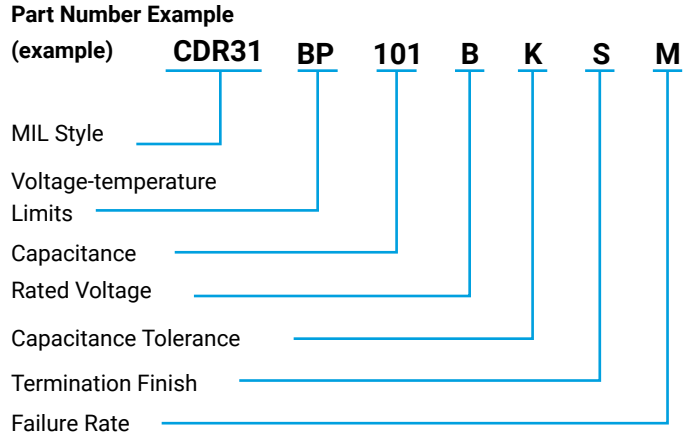


# MIL-PRF-55681/Chips

Part Number Example  
CDR31 thru CDR35



## MILITARY DESIGNATION PER MIL-PRF-55681



NOTE: Contact factory for availability of Termination and Tolerance Options for Specific Part Numbers.

**MIL Style:** CDR31, CDR32, CDR33, CDR34, CDR35

**Voltage Temperature Limits:**

BP =  $0 \pm 30$  ppm/°C without voltage;  $0 \pm 30$  ppm/°C with rated voltage from -55°C to +125°C

BX =  $\pm 15\%$  without voltage;  $+15 - 25\%$  with rated voltage from -55°C to +125°C

**Capacitance:** Two digit figures followed by multiplier (number of zeros to be added) e.g., 101 = 100 pF

**Rated Voltage:** A = 50V, B = 100V

**Capacitance Tolerance:** B  $\pm .10$  pF, C  $\pm .25$  pF, D  $\pm .5$  pF, F  $\pm 1\%$ , J  $\pm 5\%$ , K  $\pm 10\%$ , M  $\pm 20\%$

**Termination Finish:**

- M = Palladium silver
- N = Silver-nickel-gold
- S = Solder coated final with a minimum of 4 percent lead
- T = Silver
- U = Base metallization-barrier metal-solder coated (tin/lead alloy, with a minimum of 4 percent lead)
- W = Base metallization-barrier metal-tinned (tin or tin/lead alloy)
- Y = Base metallization-barrier metal-tin (100 percent)
- Z = Base metallization-barrier metal-tinned (tin/lead alloy, with a minimum of 4 percent lead)

\*See MIL-PRF-55681 Specification for more details

**Failure Rate Level:** M = 1.0%, P = .1%, R = .01%, S = .001%

**Packaging:** Bulk is standard packaging. Tape and reel per RS481 is available upon request.

**\*Not RoHS Compliant**

## CROSS REFERENCE: AVX/MIL-PRF-55681/CDR31 THRU CDR35

| Per MIL-PRF-55681 | AVX Style | Length (L) (mm) | Width (W) (mm) | Thickness (T) | D Max. (mm) | Termination Band (t) |      |
|-------------------|-----------|-----------------|----------------|---------------|-------------|----------------------|------|
|                   |           |                 |                | Max. (mm)     |             | Min. (mm)            | Max. |
| CDR31             | 0805      | 2.00            | 1.25           | 1.3           | .50         | .70                  | .30  |
| CDR32             | 1206      | 3.20            | 1.60           | 1.3           | —           | .70                  | .30  |
| CDR33             | 1210      | 3.20            | 2.50           | 1.5           | —           | .70                  | .30  |
| CDR34             | 1812      | 4.50            | 3.20           | 1.5           | —           | .70                  | .30  |
| CDR35             | 1825      | 4.50            | 6.40           | 1.5           | —           | .70                  | .30  |



### CDR31 to MIL-PRF-55681/7

| Military Type Designation 1/     | Capacitance in pF | Capacitance tolerance | Rated temperature and voltage-temperature limits | WVDC |
|----------------------------------|-------------------|-----------------------|--|------|
| <b>AVX Style 0805/CDR31 (BP)</b> |                   |                       |  |      |
| CDR31BP1R0B--                    | 1.0               | B,C                   | BP   | 100  |
| CDR31BP1R1B--                    | 1.1               | B,C                   | BP   | 100  |
| CDR31BP1R2B--                    | 1.2               | B,C                   | BP   | 100  |
| CDR31BP1R3B--                    | 1.3               | B,C                   | BP   | 100  |
| CDR31BP1R5B--                    | 1.5               | B,C                   | BP   | 100  |
| CDR31BP1R6B--                    | 1.6               | B,C                   | BP   | 100  |
| CDR31BP1R8B--                    | 1.8               | B,C                   | BP   | 100  |
| CDR31BP2R0B--                    | 2.0               | B,C                   | BP   | 100  |
| CDR31BP2R2B--                    | 2.2               | B,C                   | BP   | 100  |
| CDR31BP2R4B--                    | 2.4               | B,C                   | BP   | 100  |
| CDR31BP2R7B--                    | 2.7               | B,C,D                 | BP   | 100  |
| CDR31BP3R0B--                    | 3.0               | B,C,D                 | BP   | 100  |
| CDR31BP3R3B--                    | 3.3               | B,C,D                 | BP   | 100  |
| CDR31BP3R6B--                    | 3.6               | B,C,D                 | BP   | 100  |
| CDR31BP3R9B--                    | 3.9               | B,C,D                 | BP   | 100  |
| CDR31BP4R3B--                    | 4.3               | B,C,D                 | BP   | 100  |
| CDR31BP4R7B--                    | 4.7               | B,C,D                 | BP   | 100  |
| CDR31BP5R1B--                    | 5.1               | B,C,D                 | BP   | 100  |
| CDR31BP5R6B--                    | 5.6               | B,C,D                 | BP   | 100  |
| CDR31BP6R2B--                    | 6.2               | B,C,D                 | BP   | 100  |
| CDR31BP6R8B--                    | 6.8               | B,C,D                 | BP   | 100  |
| CDR31BP7R5B--                    | 7.5               | B,C,D                 | BP   | 100  |
| CDR31BP8R2B--                    | 8.2               | B,C,D                 | BP   | 100  |
| CDR31BP9R1B--                    | 9.1               | B,C,D                 | BP   | 100  |
| CDR31BP100B--                    | 10                | F,J,K                 | BP   | 100  |
| CDR31BP110B--                    | 11                | F,J,K                 | BP   | 100  |
| CDR31BP120B--                    | 12                | F,J,K                 | BP   | 100  |
| CDR31BP130B--                    | 13                | F,J,K                 | BP   | 100  |
| CDR31BP150B--                    | 15                | F,J,K                 | BP   | 100  |
| CDR31BP160B--                    | 16                | F,J,K                 | BP   | 100  |
| CDR31BP180B--                    | 18                | F,J,K                 | BP   | 100  |
| CDR31BP200B--                    | 20                | F,J,K                 | BP   | 100  |
| CDR31BP220B--                    | 22                | F,J,K                 | BP   | 100  |
| CDR31BP240B--                    | 24                | F,J,K                 | BP   | 100  |
| CDR31BP270B--                    | 27                | F,J,K                 | BP   | 100  |
| CDR31BP300B--                    | 30                | F,J,K                 | BP   | 100  |
| CDR31BP330B--                    | 33                | F,J,K                 | BP   | 100  |
| CDR31BP360B--                    | 36                | F,J,K                 | BP   | 100  |
| CDR31BP390B--                    | 39                | F,J,K                 | BP   | 100  |
| CDR31BP430B--                    | 43                | F,J,K                 | BP   | 100  |
| CDR31BP470B--                    | 47                | F,J,K                 | BP   | 100  |
| CDR31BP510B--                    | 51                | F,J,K                 | BP   | 100  |
| CDR31BP560B--                    | 56                | F,J,K                 | BP   | 100  |
| CDR31BP620B--                    | 62                | F,J,K                 | BP   | 100  |
| CDR31BP680B--                    | 68                | F,J,K                 | BP   | 100  |
| CDR31BP750B--                    | 75                | F,J,K                 | BP   | 100  |
| CDR31BP820B--                    | 82                | F,J,K                 | BP   | 100  |
| CDR31BP910B--                    | 91                | F,J,K                 | BP   | 100  |

Add appropriate failure rate  
 Add appropriate termination finish  
 Capacitance Tolerance

| Military Type Designation 1/            | Capacitance in pF | Capacitance tolerance | Rated temperature and voltage-temperature limits | WVDC |
|---|-------------------|-----------------------|--|------|
| <b>AVX Style 0805/CDR31 (BP) cont'd</b> |                   |                       |  |      |
| CDR31BP101B--                           | 100               | F,J,K                 | BP   | 100  |
| CDR31BP111B--                           | 110               | F,J,K                 | BP   | 100  |
| CDR31BP121B--                           | 120               | F,J,K                 | BP   | 100  |
| CDR31BP131B--                           | 130               | F,J,K                 | BP   | 100  |
| CDR31BP151B--                           | 150               | F,J,K                 | BP   | 100  |
| CDR31BP161B--                           | 160               | F,J,K                 | BP   | 100  |
| CDR31BP181B--                           | 180               | F,J,K                 | BP   | 100  |
| CDR31BP201B--                           | 200               | F,J,K                 | BP   | 100  |
| CDR31BP221B--                           | 220               | F,J,K                 | BP   | 100  |
| CDR31BP241B--                           | 240               | F,J,K                 | BP   | 100  |
| CDR31BP271B--                           | 270               | F,J,K                 | BP   | 100  |
| CDR31BP301B--                           | 300               | F,J,K                 | BP   | 100  |
| CDR31BP331B--                           | 330               | F,J,K                 | BP   | 100  |
| CDR31BP361B--                           | 360               | F,J,K                 | BP   | 100  |
| CDR31BP391B--                           | 390               | F,J,K                 | BP   | 100  |
| CDR31BP431B--                           | 430               | F,J,K                 | BP   | 100  |
| CDR31BP471B--                           | 470               | F,J,K                 | BP   | 100  |
| CDR31BP511A--                           | 510               | F,J,K                 | BP   | 50   |
| CDR31BP561A--                           | 560               | F,J,K                 | BP   | 50   |
| CDR31BP621A--                           | 620               | F,J,K                 | BP   | 50   |
| CDR31BP681A--                           | 680               | F,J,K                 | BP   | 50   |
| <b>AVX Style 0805/CDR31 (BX)</b>        |                   |                       |  |      |
| CDR31BX471B--                           | 470               | K,M                   | BX   | 100  |
| CDR31BX561B--                           | 560               | K,M                   | BX   | 100  |
| CDR31BX681B--                           | 680               | K,M                   | BX   | 100  |
| CDR31BX821B--                           | 820               | K,M                   | BX   | 100  |
| CDR31BX102B--                           | 1,000             | K,M                   | BX   | 100  |
| CDR31BX122B--                           | 1,200             | K,M                   | BX   | 100  |
| CDR31BX152B--                           | 1,500             | K,M                   | BX   | 100  |
| CDR31BX182B--                           | 1,800             | K,M                   | BX   | 100  |
| CDR31BX222B--                           | 2,200             | K,M                   | BX   | 100  |
| CDR31BX272B--                           | 2,700             | K,M                   | BX   | 100  |
| CDR31BX332B--                           | 3,300             | K,M                   | BX   | 100  |
| CDR31BX392B--                           | 3,900             | K,M                   | BX   | 100  |
| CDR31BX472B--                           | 4,700             | K,M                   | BX   | 100  |
| CDR31BX562A--                           | 5,600             | K,M                   | BX   | 50   |
| CDR31BX682A--                           | 6,800             | K,M                   | BX   | 50   |
| CDR31BX822A--                           | 8,200             | K,M                   | BX   | 50   |
| CDR31BX103A--                           | 10,000            | K,M                   | BX   | 50   |
| CDR31BX123A--                           | 12,000            | K,M                   | BX   | 50   |
| CDR31BX153A--                           | 15,000            | K,M                   | BX   | 50   |
| CDR31BX183A--                           | 18,000            | K,M                   | BX   | 50   |

Add appropriate failure rate  
 Add appropriate termination finish  
 Capacitance Tolerance

1/ The complete part number will include additional symbols to indicate capacitance tolerance, termination and failure rate level.

### CDR32 to MIL-PRF-55681/8

| Military Type Designation 1/     | Capacitance in pF | Capacitance tolerance | Rated temperature and voltage-temperature limits | WVDC |
|----------------------------------|-------------------|-----------------------|--|------|
| <b>AVX Style 1206/CDR32 (BP)</b> |                   |                       |  |      |
| CDR32BP1R0B--                    | 1.0               | B,C                   | BP   | 100  |
| CDR32BP1R1B--                    | 1.1               | B,C                   | BP   | 100  |
| CDR32BP1R2B--                    | 1.2               | B,C                   | BP   | 100  |
| CDR32BP1R3B--                    | 1.3               | B,C                   | BP   | 100  |
| CDR32BP1R5B--                    | 1.5               | B,C                   | BP   | 100  |
| CDR32BP1R6B--                    | 1.6               | B,C                   | BP   | 100  |
| CDR32BP1R8B--                    | 1.8               | B,C                   | BP   | 100  |
| CDR32BP2R0B--                    | 2.0               | B,C                   | BP   | 100  |
| CDR32BP2R2B--                    | 2.2               | B,C                   | BP   | 100  |
| CDR32BP2R4B--                    | 2.4               | B,C                   | BP   | 100  |
| CDR32BP2R7B--                    | 2.7               | B,C,D                 | BP   | 100  |
| CDR32BP3R0B--                    | 3.0               | B,C,D                 | BP   | 100  |
| CDR32BP3R3B--                    | 3.3               | B,C,D                 | BP   | 100  |
| CDR32BP3R6B--                    | 3.6               | B,C,D                 | BP   | 100  |
| CDR32BP3R9B--                    | 3.9               | B,C,D                 | BP   | 100  |
| CDR32BP4R3B--                    | 4.3               | B,C,D                 | BP   | 100  |
| CDR32BP4R7B--                    | 4.7               | B,C,D                 | BP   | 100  |
| CDR32BP5R1B--                    | 5.1               | B,C,D                 | BP   | 100  |
| CDR32BP5R6B--                    | 5.6               | B,C,D                 | BP   | 100  |
| CDR32BP6R2B--                    | 6.2               | B,C,D                 | BP   | 100  |
| CDR32BP6R8B--                    | 6.8               | B,C,D                 | BP   | 100  |
| CDR32BP7R5B--                    | 7.5               | B,C,D                 | BP   | 100  |
| CDR32BP8R2B--                    | 8.2               | B,C,D                 | BP   | 100  |
| CDR32BP9R1B--                    | 9.1               | B,C,D                 | BP   | 100  |
| CDR32BP100B--                    | 10                | F,J,K                 | BP   | 100  |
| CDR32BP110B--                    | 11                | F,J,K                 | BP   | 100  |
| CDR32BP120B--                    | 12                | F,J,K                 | BP   | 100  |
| CDR32BP130B--                    | 13                | F,J,K                 | BP   | 100  |
| CDR32BP150B--                    | 15                | F,J,K                 | BP   | 100  |
| CDR32BP160B--                    | 16                | F,J,K                 | BP   | 100  |
| CDR32BP180B--                    | 18                | F,J,K                 | BP   | 100  |
| CDR32BP200B--                    | 20                | F,J,K                 | BP   | 100  |
| CDR32BP220B--                    | 22                | F,J,K                 | BP   | 100  |
| CDR32BP240B--                    | 24                | F,J,K                 | BP   | 100  |
| CDR32BP270B--                    | 27                | F,J,K                 | BP   | 100  |
| CDR32BP300B--                    | 30                | F,J,K                 | BP   | 100  |
| CDR32BP330B--                    | 33                | F,J,K                 | BP   | 100  |
| CDR32BP360B--                    | 36                | F,J,K                 | BP   | 100  |
| CDR32BP390B--                    | 39                | F,J,K                 | BP   | 100  |
| CDR32BP430B--                    | 43                | F,J,K                 | BP   | 100  |
| CDR32BP470B--                    | 47                | F,J,K                 | BP   | 100  |
| CDR32BP510B--                    | 51                | F,J,K                 | BP   | 100  |
| CDR32BP560B--                    | 56                | F,J,K                 | BP   | 100  |
| CDR32BP620B--                    | 62                | F,J,K                 | BP   | 100  |
| CDR32BP680B--                    | 68                | F,J,K                 | BP   | 100  |
| CDR32BP750B--                    | 75                | F,J,K                 | BP   | 100  |
| CDR32BP820B--                    | 82                | F,J,K                 | BP   | 100  |
| CDR32BP910B--                    | 91                | F,J,K                 | BP   | 100  |

Add appropriate failure rate  
 Add appropriate termination finish  
 Capacitance Tolerance

| Military Type Designation 1/            | Capacitance in pF | Capacitance tolerance | Rated temperature and voltage-temperature limits | WVDC |
|---|-------------------|-----------------------|--|------|
| <b>AVX Style 0805/CDR31 (BP) cont'd</b> |                   |                       |  |      |
| CDR32BP101B--                           | 100               | F,J,K                 | BP   | 100  |
| CDR32BP111B--                           | 110               | F,J,K                 | BP   | 100  |
| CDR32BP121B--                           | 120               | F,J,K                 | BP   | 100  |
| CDR32BP131B--                           | 130               | F,J,K                 | BP   | 100  |
| CDR32BP151B--                           | 150               | F,J,K                 | BP   | 100  |
| CDR32BP161B--                           | 160               | F,J,K                 | BP   | 100  |
| CDR32BP181B--                           | 180               | F,J,K                 | BP   | 100  |
| CDR32BP201B--                           | 200               | F,J,K                 | BP   | 100  |
| CDR32BP221B--                           | 220               | F,J,K                 | BP   | 100  |
| CDR32BP241B--                           | 240               | F,J,K                 | BP   | 100  |
| CDR32BP271B--                           | 270               | F,J,K                 | BP   | 100  |
| CDR32BP301B--                           | 300               | F,J,K                 | BP   | 100  |
| CDR32BP331B--                           | 330               | F,J,K                 | BP   | 100  |
| CDR32BP361B--                           | 360               | F,J,K                 | BP   | 100  |
| CDR32BP391B--                           | 390               | F,J,K                 | BP   | 100  |
| CDR32BP431B--                           | 430               | F,J,K                 | BP   | 100  |
| CDR32BP471B--                           | 470               | F,J,K                 | BP   | 100  |
| CDR32BP511B--                           | 510               | F,J,K                 | BP   | 100  |
| CDR32BP561B--                           | 560               | F,J,K                 | BP   | 100  |
| CDR32BP621B--                           | 620               | F,J,K                 | BP   | 100  |
| CDR32BP681B--                           | 680               | F,J,K                 | BP   | 100  |
| CDR32BP751B--                           | 750               | F,J,K                 | BP   | 100  |
| CDR32BP821B--                           | 820               | F,J,K                 | BP   | 100  |
| CDR32BP911B--                           | 910               | F,J,K                 | BP   | 100  |
| CDR32BP102B--                           | 1,000             | F,J,K                 | BP   | 100  |
| CDR32BP112A--                           | 1,100             | F,J,K                 | BP   | 50   |
| CDR32BP122A--                           | 1,200             | F,J,K                 | BP   | 50   |
| CDR32BP132A--                           | 1,300             | F,J,K                 | BP   | 50   |
| CDR32BP152A--                           | 1,500             | F,J,K                 | BP   | 50   |
| CDR32BP162A--                           | 1,600             | F,J,K                 | BP   | 50   |
| CDR32BP182A--                           | 1,800             | F,J,K                 | BP   | 50   |
| CDR32BP202A--                           | 2,000             | F,J,K                 | BP   | 50   |
| CDR32BP222A--                           | 2,200             | F,J,K                 | BP   | 50   |
| <b>AVX Style 1206/CDR32 (BX)</b>        |                   |                       |  |      |
| CDR32BX472B--                           | 4,700             | K,M                   | BX   | 100  |
| CDR32BX562B--                           | 5,600             | K,M                   | BX   | 100  |
| CDR32BX682B--                           | 6,800             | K,M                   | BX   | 100  |
| CDR32BX822B--                           | 8,200             | K,M                   | BX   | 100  |
| CDR32BX103B--                           | 10,000            | K,M                   | BX   | 100  |
| CDR32BX123B--                           | 12,000            | K,M                   | BX   | 100  |
| CDR32BX153B--                           | 15,000            | K,M                   | BX   | 100  |
| CDR32BX183A--                           | 18,000            | K,M                   | BX   | 50   |
| CDR32BX223A--                           | 22,000            | K,M                   | BX   | 50   |
| CDR32BX273A--                           | 27,000            | K,M                   | BX   | 50   |
| CDR32BX333A--                           | 33,000            | K,M                   | BX   | 50   |
| CDR32BX393A--                           | 39,000            | K,M                   | BX   | 50   |

Add appropriate failure rate  
 Add appropriate termination finish  
 Capacitance Tolerance

1/ The complete part number will include additional symbols to indicate capacitance tolerance, termination and failure rate level.

### CDR33/34/35 to MIL-PRF-55681/9/10/11

| Military Type Designation 1/     | Capacitance in pF | Capacitance tolerance | Rated temperature and voltage-temperature limits | WVDC |
|----------------------------------|-------------------|-----------------------|--|------|
| <b>AVX Style 1210/CDR33 (BP)</b> |                   |                       |  |      |
| CDR33BP102B--                    | 1,000             | F,J,K                 | BP   | 100  |
| CDR33BP112B--                    | 1,100             | F,J,K                 | BP   | 100  |
| CDR33BP122B--                    | 1,200             | F,J,K                 | BP   | 100  |
| CDR33BP132B--                    | 1,300             | F,J,K                 | BP   | 100  |
| CDR33BP152B--                    | 1,500             | F,J,K                 | BP   | 100  |
| CDR33BP162B--                    | 1,600             | F,J,K                 | BP   | 100  |
| CDR33BP182B--                    | 1,800             | F,J,K                 | BP   | 100  |
| CDR33BP202B--                    | 2,000             | F,J,K                 | BP   | 100  |
| CDR33BP222B--                    | 2,200             | F,J,K                 | BP   | 100  |
| CDR33BP242A--                    | 2,400             | F,J,K                 | BP   | 50   |
| CDR33BP272A--                    | 2,700             | F,J,K                 | BP   | 50   |
| CDR33BP302A--                    | 3,000             | F,J,K                 | BP   | 50   |
| CDR33BP332A--                    | 3,300             | F,J,K                 | BP   | 50   |
| <b>AVX Style 1210/CDR33 (BX)</b> |                   |                       |  |      |
| CDR33BX153B--                    | 15,000            | K,M                   | BX   | 100  |
| CDR33BX183B--                    | 18,000            | K,M                   | BX   | 100  |
| CDR33BX223B--                    | 22,000            | K,M                   | BX   | 100  |
| CDR33BX273B--                    | 27,000            | K,M                   | BX   | 100  |
| CDR33BX393A--                    | 39,000            | K,M                   | BX   | 50   |
| CDR33BX473A--                    | 47,000            | K,M                   | BX   | 50   |
| CDR33BX563A--                    | 56,000            | K,M                   | BX   | 50   |
| CDR33BX683A--                    | 68,000            | K,M                   | BX   | 50   |
| CDR33BX823A--                    | 82,000            | K,M                   | BX   | 50   |
| CDR33BX104A--                    | 100,000           | K,M                   | BX   | 50   |
| <b>AVX Style 1812/CDR34 (BP)</b> |                   |                       |  |      |
| CDR34BP222B--                    | 2,200             | F,J,K                 | BP   | 100  |
| CDR34BP242B--                    | 2,400             | F,J,K                 | BP   | 100  |
| CDR34BP272B--                    | 2,700             | F,J,K                 | BP   | 100  |
| CDR34BP302B--                    | 3,000             | F,J,K                 | BP   | 100  |
| CDR34BP332B--                    | 3,300             | F,J,K                 | BP   | 100  |
| CDR34BP362B--                    | 3,600             | F,J,K                 | BP   | 100  |
| CDR34BP392B--                    | 3,900             | F,J,K                 | BP   | 100  |
| CDR34BP432B--                    | 4,300             | F,J,K                 | BP   | 100  |
| CDR34BP472B--                    | 4,700             | F,J,K                 | BP   | 100  |
| CDR34BP512A--                    | 5,100             | F,J,K                 | BP   | 50   |
| CDR34BP562A--                    | 5,600             | F,J,K                 | BP   | 50   |
| CDR34BP622A--                    | 6,200             | F,J,K                 | BP   | 50   |
| CDR34BP682A--                    | 6,800             | F,J,K                 | BP   | 50   |
| CDR34BP752A--                    | 7,500             | F,J,K                 | BP   | 50   |
| CDR34BP822A--                    | 8,200             | F,J,K                 | BP   | 50   |
| CDR34BP912A--                    | 9,100             | F,J,K                 | BP   | 50   |
| CDR34BP103A--                    | 10,000            | F,J,K                 | BP   | 50   |

- Add appropriate failure rate
- Add appropriate termination finish
- Capacitance Tolerance

| Military Type Designation 1/     | Capacitance in pF | Capacitance tolerance | Rated temperature and voltage-temperature limits | WVDC |
|----------------------------------|-------------------|-----------------------|--|------|
| <b>AVX Style 1812/CDR34 (BX)</b> |                   |                       |  |      |
| CDR34BX273B--                    | 27,000            | K,M                   | BX   | 100  |
| CDR34BX333B--                    | 33,000            | K,M                   | BX   | 100  |
| CDR34BX393B--                    | 39,000            | K,M                   | BX   | 100  |
| CDR34BX473B--                    | 47,000            | K,M                   | BX   | 100  |
| CDR34BX563B--                    | 56,000            | K,M                   | BX   | 100  |
| CDR34BX104A--                    | 100,000           | K,M                   | BX   | 50   |
| CDR34BX124A--                    | 120,000           | K,M                   | BX   | 50   |
| CDR34BX154A--                    | 150,000           | K,M                   | BX   | 50   |
| CDR34BX184A--                    | 180,000           | K,M                   | BX   | 50   |
| <b>AVX Style 1825/CDR35 (BP)</b> |                   |                       |  |      |
| CDR35BP472B--                    | 4,700             | F,J,K                 | BP   | 100  |
| CDR35BP512B--                    | 5,100             | F,J,K                 | BP   | 100  |
| CDR35BP562B--                    | 5,600             | F,J,K                 | BP   | 100  |
| CDR35BP622B--                    | 6,200             | F,J,K                 | BP   | 100  |
| CDR35BP682B--                    | 6,800             | F,J,K                 | BP   | 100  |
| CDR35BP752B--                    | 7,500             | F,J,K                 | BP   | 100  |
| CDR35BP822B--                    | 8,200             | F,J,K                 | BP   | 100  |
| CDR35BP912B--                    | 9,100             | F,J,K                 | BP   | 100  |
| CDR35BP103B--                    | 10,000            | F,J,K                 | BP   | 100  |
| CDR35BP113A--                    | 11,000            | F,J,K                 | BP   | 50   |
| CDR35BP123A--                    | 12,000            | F,J,K                 | BP   | 50   |
| CDR35BP133A--                    | 13,000            | F,J,K                 | BP   | 50   |
| CDR35BP153A--                    | 15,000            | F,J,K                 | BP   | 50   |
| CDR35BP163A--                    | 16,000            | F,J,K                 | BP   | 50   |
| CDR35BP183A--                    | 18,000            | F,J,K                 | BP   | 50   |
| CDR35BP203A--                    | 20,000            | F,J,K                 | BP   | 50   |
| CDR35BP223A--                    | 22,000            | F,J,K                 | BP   | 50   |
| <b>AVX Style 1825/CDR35 (BX)</b> |                   |                       |  |      |
| CDR35BX563B--                    | 56,000            | K,M                   | BX   | 100  |
| CDR35BX683B--                    | 68,000            | K,M                   | BX   | 100  |
| CDR35BX823B--                    | 82,000            | K,M                   | BX   | 100  |
| CDR35BX104B--                    | 100,000           | K,M                   | BX   | 100  |
| CDR35BX124B--                    | 120,000           | K,M                   | BX   | 100  |
| CDR35BX154B--                    | 150,000           | K,M                   | BX   | 100  |
| CDR35BX184A--                    | 180,000           | K,M                   | BX   | 50   |
| CDR35BX224A--                    | 220,000           | K,M                   | BX   | 50   |
| CDR35BX274A--                    | 270,000           | K,M                   | BX   | 50   |
| CDR35BX334A--                    | 330,000           | K,M                   | BX   | 50   |
| CDR35BX394A--                    | 390,000           | K,M                   | BX   | 50   |
| CDR35BX474A--                    | 470,000           | K,M                   | BX   | 50   |

- Add appropriate failure rate
- Add appropriate termination finish
- Capacitance Tolerance

1/ The complete part number will include additional symbols to indicate capacitance tolerance, termination and failure rate level.

## X-ON Electronics

Largest Supplier of Electrical and Electronic Components

*Click to view similar products for [Multilayer Ceramic Capacitors MLCC - SMD/SMT](#) category:*

*Click to view products by [AVX](#) manufacturer:*

Other Similar products are found below :

[M39014/01-1467](#) [M39014/02-1218V](#) [M39014/02-1225V](#) [M39014/02-1262V](#) [M39014/02-1301](#) [M39014/22-0631](#) [1210J5000102JCT](#)  
[1210J2K00102KXT](#) [1210J5000103KXT](#) [1210J5000223KXT](#) [D55342E07B379BR-TR](#) [D55342E07B523DR-T/R](#) [1812J1K00103KXT](#)  
[1812J1K00473KXT](#) [1812J2K00680JCT](#) [1812J4K00102MXT](#) [1812J5000102JCT](#) [1812J5000103JCT](#) [1812J5000682JCT](#) [NIN-FB391JTRF](#)  
[NIN-FC2R7JTRF](#) [NPIS27H102MTRF](#) [C1206C101J1GAC](#) [C1608C0G1E472JT000N](#) [C2012C0G2A472J](#) [2220J2K00101JCT](#)  
[KHC201E225M76N0T00](#) [1812J1K00222JCT](#) [1812J2K00102KXT](#) [1812J2K00222KXT](#) [1812J2K00472KXT](#) [2-1622820-7-CUT-TAPE](#)  
[2220J3K00102KXT](#) [2225J2500824KXT](#) [CCR07CG103KM](#) [CGA2B2C0G1H010C](#) [CGA2B2C0G1H040C](#) [CGA2B2C0G1H050C](#)  
[CGA2B2C0G1H060D](#) [CGA2B2C0G1H070D](#) [CGA2B2C0G1H151J](#) [CGA2B2C0G1H1R5C](#) [CGA2B2C0G1H2R2C](#) [CGA2B2C0G1H3R3C](#)  
[CGA2B2C0G1H680J](#) [CGA2B2C0G1H6R8D](#) [CGA2B2X8R1H221K](#) [CGA2B2X8R1H472K](#) [CGA3E1X7R1C474K](#)  
[CGA3E2C0G1H561JT0Y0N](#)