

A

B

C

D

E

F

A

B

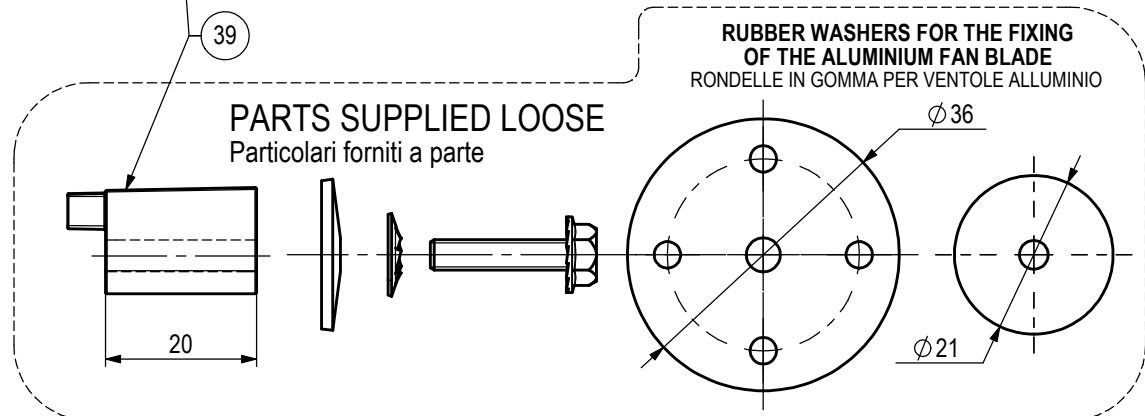
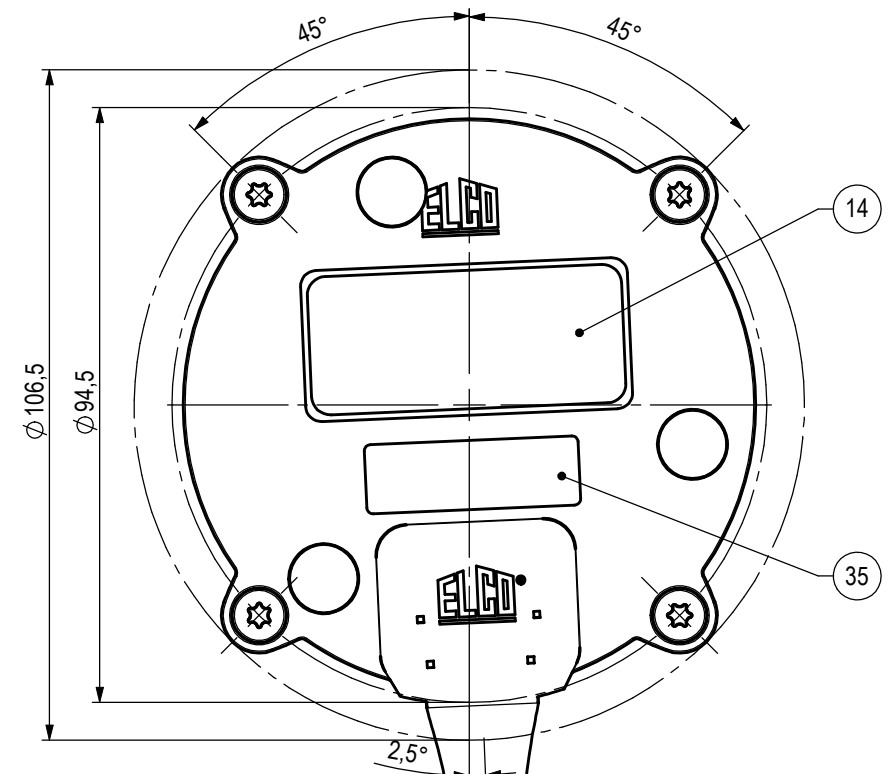
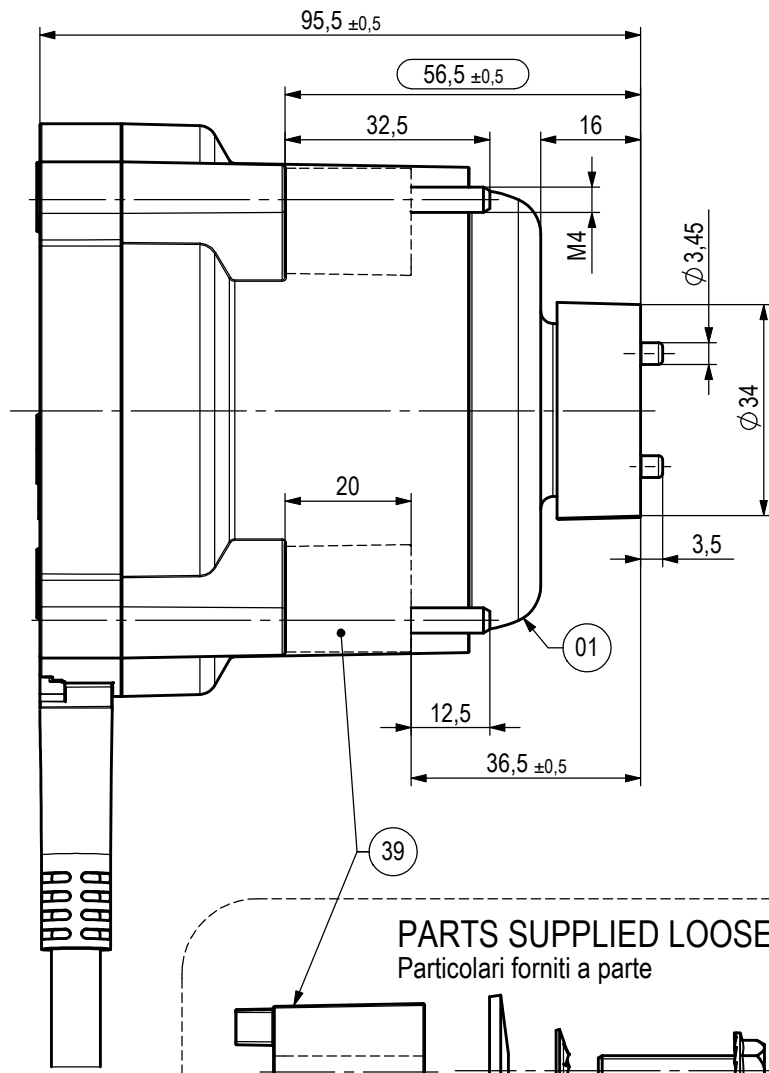
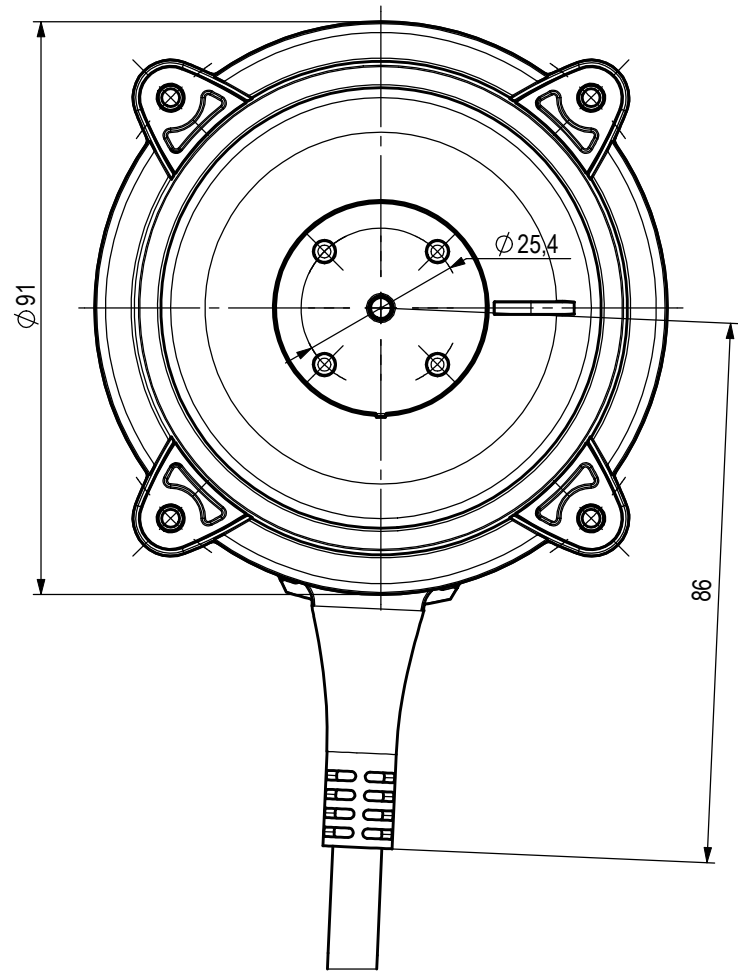
C

D

E

F

CCW ROTATION  
ROTAZIONE ANTIORARIA



RUBBER WASHERS FOR THE FIXING OF THE ALUMINIUM FAN BLADE  
RONDELLE IN GOMMA PER VENTOLE ALLUMINIO

**PEREMPTORY**

Running test after the complete assembly, **cable included**  
Eseguire il collaudo ad assemblaggio completo, **cavo incluso**

<b>CLASS "B" MOTOR - BALL BEARINGS MANUFACTURED</b> (Motore in classe "B" - Esecuzione a Cuscinetti)	
ELECTRONIC BOARD (Scheda elettronica)	1H VS10 1850±600Rpm
PLASTIC BODY (Corpo in plastica)	-
PLASTIC BACK COVER (Fondello in plastica)	-
PLASTIC FAN BLADE HUB (Portaventola in plastica)	-
ASSEMBLING SPECIFICATION (Normativa di Assemblaggio)	EL.UN.0098
OPERATING INSTRUCTIONS	OI-ECM
ELECTRICAL SPECIFICATION (Prescrizione controllo elettrico)	M.2123/8

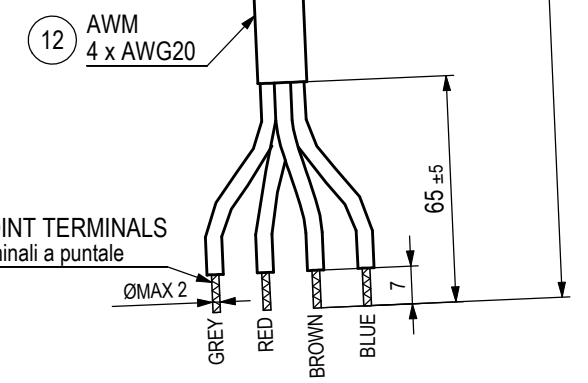
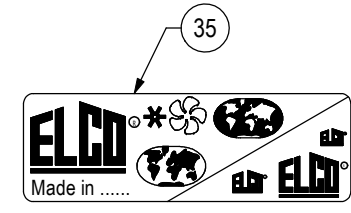
MOD. ECM HC 20-25-2 VS10  
CODE EFA20250NC0528T

230V ~ 50/60Hz Cl.B  
17/25W 0,17A IP65  
1850±600 Rpm  
Electronically protected

DATE

CE

BLUE N  
BROWN L  
RED 10+0 Vdc (+)  
GREY GND (-)



No.4 POINT TERMINALS  
N°4 Terminali a puntale

Rel.	Date	Description	Executor signature	Checked

For dimension without tolerance see standard UNI EN 22768-mK

Treatment . . . . .  
Material . . . . .

Weight gr. . . . .  
Ref. No. R.S.15/0265 Camp.150138/1

Release -

**MOTOR ECM 20 230V VS N**  
**230V 50/60Hz - 1850±600 Rpm**

**EFA20250NC0528T**

## X-ON Electronics

Largest Supplier of Electrical and Electronic Components

*Click to view similar products for [Stepper Motors](#) category:*

*Click to view products by [AVX](#) manufacturer:*

Other Similar products are found below :

[HT17-275](#) [5014-020](#) [HT17-271D](#) [HT23-596](#) [HT23-597](#) [82924041](#) [82924036](#) [82924049](#) [82914016](#) [HT08-221](#) [STEPPER MOTOR WITH 28CM LEAD SCREW](#) [MS11HS3P4067-09RL](#) [ML23HS8P4150-09RL](#) [MS17HD6P4200-24RL](#) [MS11HS5P4150-13RL](#) [MS08HY1P4050-09RL](#) [MS08HY3P4050-02RL](#) [ML24HCAL3550-01RL](#) [MS17HD6P4100-16RL](#) [ML23HS8P4220-16RL](#) [MS17HD2P4200-20RL](#) [ML23HSAL4500-E](#) [ML23HS4P4150-06RL](#) [MS14HS5P4100-03RL](#) [MS17HD2P4100-27RL](#) [MS14HS1P4100-09RL](#) [ML34HD2L8500-01RL](#) [MS11HS1P4100-25RL](#) [ML23HSAP4150-04RL](#) [ML23HSAP4300-18RL](#) [ML23HS4P4100-02RL](#) [PL23HS8L4550-05RL](#) [PL23HSAL4500-05RL](#) [MS17HD4P4150-22RL](#) [HT23-598D-ZAA](#) [82930002](#) [HT34-504](#) [PD57-2-1378-TMCL](#) [HT17-268D-CAA](#) [103H8223-5141](#) [103H7126-5840](#) [SANYO MINIATURE STEPPER MOTOR](#) [STEPPER MOTOR: UNIPOLAR/BIPOLAR 57Å—56MM](#) [PM25S-048-HHC4](#) [NSANYO PANCAKE STEPPER MOTOR: BIPOLAR 42×](#) [SP2563-5160](#) [FIT0278](#) [FIT0349](#) [FIT0503](#) [HT34-478](#)