



Corp. Automotive Components Gr.

THE NEW VALUE FRONTIER



A KYOCERA GROUP COMPANY

# Parameter on Ceramic Resonators PBRC-HR Series

11th-Dec. 2015

KYOCERA Corporation  
Automotive Components  
Engineering division  
Engineering section

京セラ株式会社

## 1. Series Name

PBRC-HR series

(+85deg.C / consumer/industrial / 7.4 x 3.4 mm)

## 2. Electrical Characteristics

(key parameters)

PN	Freq	Freq Initial Tolerance	Freq Temp Stability	Resonant Impedance
	(MHz)	(%)	(%)	ohm
PBRC2.00HR50X000	2.00	±0.5	±0.5	200
PBRC2.45HR50X000	2.45	±0.5	±0.5	200
PBRC2.46HR50X000	2.46	±0.5	±0.5	200
PBRC3.58HR50X000	3.58	±0.5	±0.5	30
PBRC3.68HR50X000	3.68	±0.5	±0.5	30
PBRC4.00HR50X000	4.00	±0.5	±0.5	30
PBRC4.19HR50X000	4.19	±0.5	±0.5	30
PBRC4.91HR50X000	4.91	±0.5	±0.5	30
PBRC5.00HR50X000	5.00	±0.5	±0.5	30
PBRC6.00HR50X000	6.00	±0.5	±0.5	30

PN	Freq	Freq Initial Tolerance	Freq Temp Stability	Resonant Impedance
	(MHz)	(%)	(%)	ohm
PBRC7.37HR50X000	7.37	±0.5	±0.5	30
PBRC8.00HR50X000	8.00	±0.5	±0.5	30
PBRC10.00HR50X000	10.00	±0.5	±0.5	150
PBRC11.06HR50X000	11.06	±0.5	±0.5	150
PBRC12.00HR50X000	12.00	±0.5	±0.5	150
PBRC14.74HR50X000	14.74	±0.5	±0.5	150
PBRC16.00HR50X000	16.00	±0.5	±0.5	150
PBRC20.00HR50X000	20.00	±0.5	±0.5	150

**(other common parameters)**

Items	Specifications
Standard Test IC	MC14069UB(2.0-8.0MHz) / MC74HCU04(8.01-20.0mHz) (Freescale)
Withstanding Voltage	100 V D.C. 10 sec max.
Max. Input Signal Voltage	15 Vp-p
Insulation Resistance	100 MΩ min. (at 10 V D.C.)
Operating Temperature Range	-40 to +85°C
Storage Temperature Range	-40 to +85°C
Aging for 10 years on Oscillating Frequency	fosc ±0.30 % max. (at 25°C from initial value)

### 3-1. Measurement Condition

The reference temperature shall be  $25 \pm 2$  °C.  
 The measurement shall be performed in the temperature range from 15 to 35°C unless otherwise the result is doubtful.

### 3-2. Measurement Circuit

Oscillating frequency shall be measured using the Kyocera standard test circuit shown in Fig. 1.

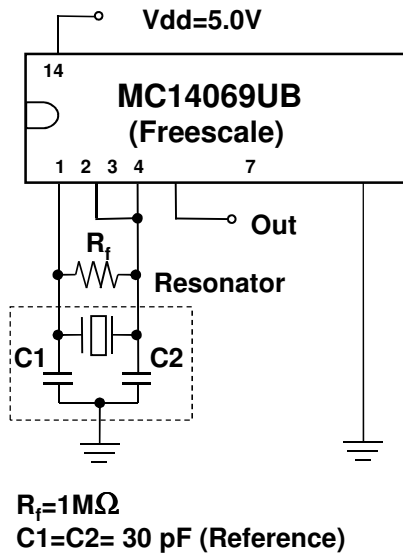
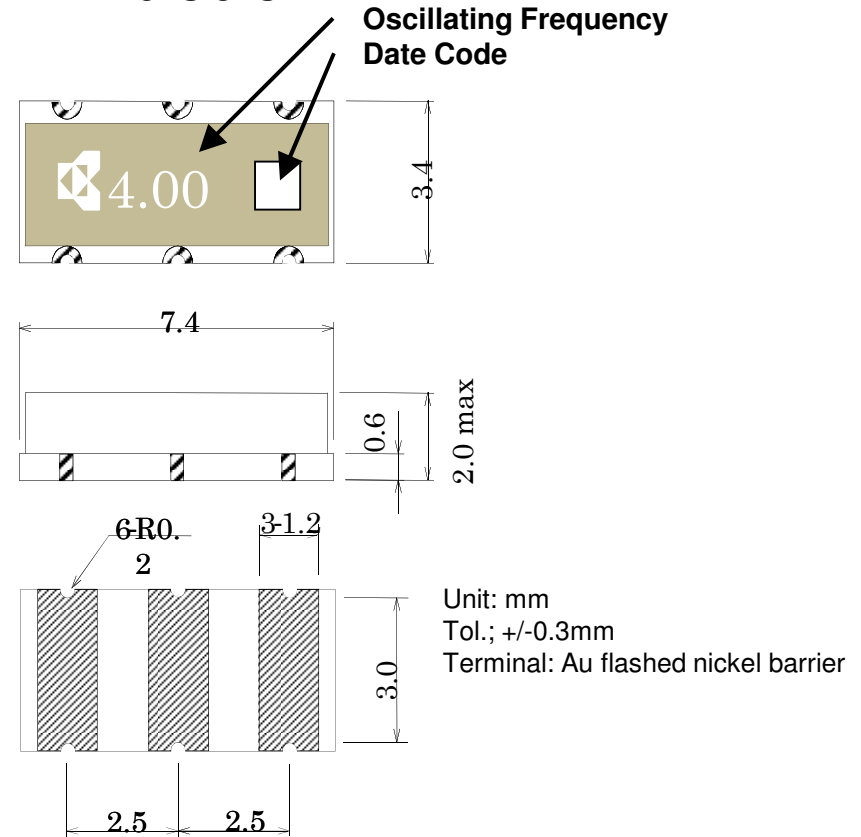


Fig.1 Standard Measuring Circuits

### 4. Dimensions



#### Oscillating Frequency

ex.4.00 (4.00 is the meaning of 4.00MHz/Oscillating Frequency)

#### Date Code

Jan. to Dec. 2013: A to M (except "I")

Jan. to Dec. 2014: N to Z (except "O")

Jan. to Dec. 2015: a to m (except "i")

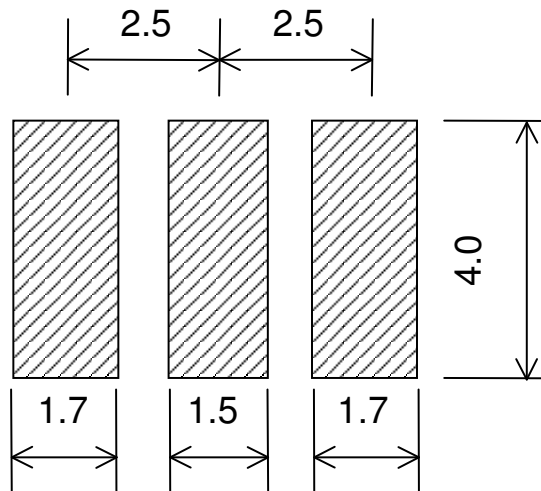
Jan. to Dec. 2016: n to z (except "o")

Note:

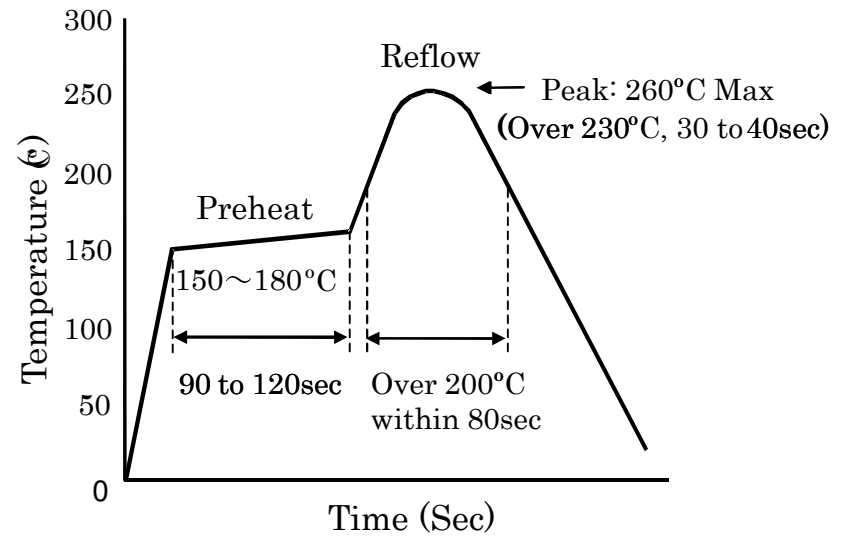
These alphabets should be after Jan.2017.

### 5. Recommended Land Pattern

Unit: mm



### 6. Recommended IR Reflow Profile



## X-ON Electronics

Largest Supplier of Electrical and Electronic Components

*Click to view similar products for [Kyocera manufacturer](#):*

Other Similar products are found below :

[C-51505NFQJ-LW-ALN](#) [CX2520DB38400F0WLLCC](#) [245804030000829+](#) [PBRV12.00MR50Y000](#) [PBRC12.00HR50X0RZ](#)  
[TCG121WXLRXVNNANX35](#) [TK150X03-002](#) [KT7050A10000KAW33TAD](#) [TKL-121WOB-18055-A](#) [T-55532D104J-LW-A-ADN](#) [KDA-121OB-18055S-A](#) [T-55788GD121J-LW-AGN](#) [CX5032GB24000H0PESZZ](#) [TKL-104XOB-18054-A](#) [TCG062HVLDA-G20](#)  
[KC2520Z25.0000C1GX00](#) [KCQ20A06](#) [KCU30A20](#) [KSU30A30B](#) [CX2016DB16000D0GPSC1](#) [TKL-070WOB-18052-A](#)  
[TCG035QVLPDANN-GN50](#) [KCH20A10](#) [KCF16A20](#) [FCH20A\(U\)10](#) [KCQ30A04](#) [FCHS30A045](#) [GCQ20A04](#) [GCQ30A04](#)  
[TG035QVLQAANN-GN00](#) [KC2016Z40.0000C1KX00](#) [008283081100000+](#) [CX3225SB22579D0PPSC1](#) [FSF10A20](#) [S-12564](#)  
[CX2520DB32000F0FPLCC](#) [CX3225SB16000D0GEJZ1](#) [CX3225SB13560D0PESZZ](#) [CX3225SB24576D0PPSC1](#) [FCQS30A045](#) [KCU20A20](#)  
[296406200001856+](#) [CX3225GB30000D0HEQ](#) [CX5032GB08000D0PPS02](#) [CX3225SA10000D0PPST1](#) [CX3225GB32000D0HEQ](#)  
[CX3225GB40000D0HEQ](#) [TCG121WXLPAANN-AN20](#) [CX5032GB10000H0PESZZ](#) [GSH05A10](#)