

## 0.1-6GHz DPDT Antenna Cross Switch

### Features

- Broadband frequency range: 0.1 to 6.0GHz
- Wide VDD range: 1.65V to 3.3V
- GPIO interface for 1.0V to VDD positive control voltage
- Low insertion loss: 0.35dB typical @ 2.7GHz
- Max input RF power of 39dBm
- Excellent linearity and harmonic performance
- No DC blocking capacitors in typical application
- Small FCLGA (1.1mm x 1.5mm x 0.47 mm -10L) package

### Applications

- Cellular 2G/3G/4G/5G TRX
- Antenna switching
- Other RF front-end modules

### General Description

The AW12022FLR is a Silicon-On-Insulator(SOI) DPDT switch with low insertion loss and high Isolation. It can be used to support band switching and mode switching for cellular 4G/5G, data cards and tablets.

The symmetrical design of internal ports makes it convenient for PCB routing and adjustment of receiving and transmitting signals. The band/mode switching is realized by the GPIO pin as referenced in the chip block diagram and the control logic. The chip allows power-supply voltages from 1.65V to 3.3V and the positive control voltages from 1V to VDD.

The AW12022FLR is provided in a compact FCLGA 1.1mm x 1.5mm x 0.47mm -10L package.

### Typical Application Circuit

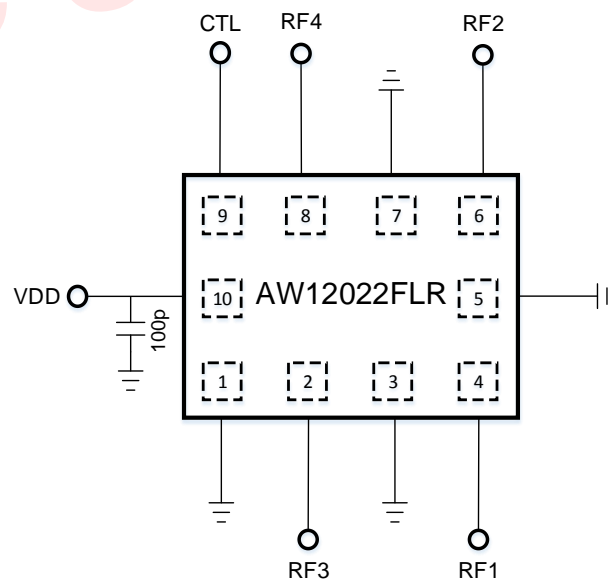


Figure 1 Typical Application Circuit Of AW12022FLR

All trademarks are the property of their respective owners.

## Pin Configuration And Top Mark

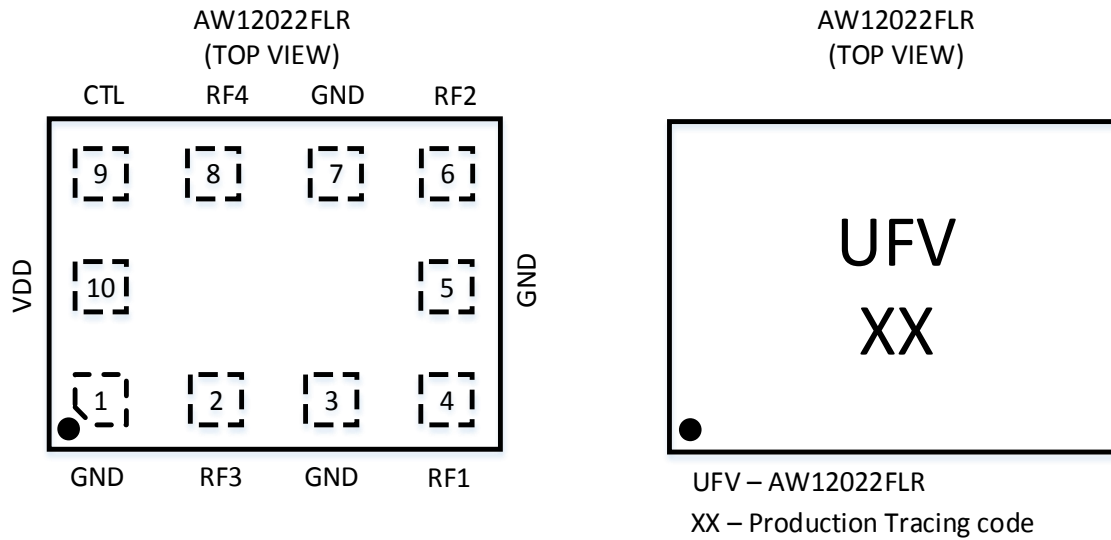


Figure 2 Pin Configuration And Top Mark

## Pin Definition

No.	NAME	DESCRIPTION
1	GND	Ground
2	RF3	RF I/O path 3
3	GND	Ground
4	RF1	RF I/O path 1
5	GND	Ground
6	RF2	RF I/O path 2
7	GND	Ground
8	RF4	RF I/O path 4
9	CTL	DC control voltage
10	VDD	DC power supply

## Functional Block Diagram

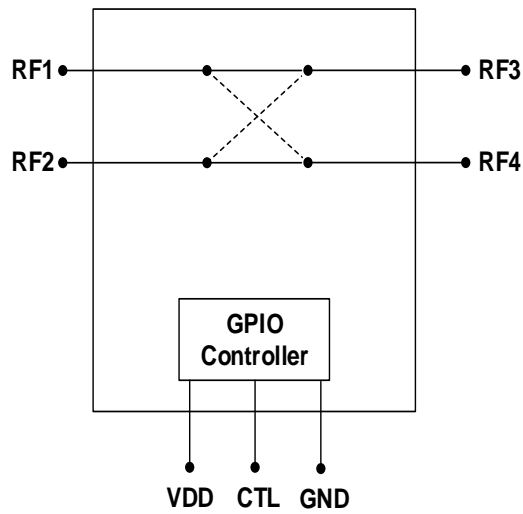


Figure 3 Functional Block Diagram

## Ordering Information

Part Number	Temperature	Package	Marking	Moisture Sensitivity Level	Environmental Information	Delivery Form
AW12022FLR	-40°C~85°C	FCLGA 1.1mm x 1.5mm x 0.47 mm -10L	UFV	MSL3	ROHS+HF	3000 units/ Tape and Reel

**Absolute Maximum Ratings**<sup>(NOTE1)</sup>

PARAMETERS		RANGE
Supply Voltage Range VDD		1.65V to 3.3V
Control Voltage Range	CTL	0V to 3.3V
RF input power		39.3dBm
Operating Free-air Temperature Range		-40°C to 85°C
Storage Temperature T <sub>STG</sub>		-65°C to 150°C
Lead Temperature (Soldering 10 Seconds)		260°C
ESD (NOTE 2)		
HBM (ESDA/JEDEC JS-001)		±1000V
CDM (ESDA/JEDEC JS-002)		±500V

*NOTE1: Conditions out of those ranges listed in "absolute maximum ratings" may cause permanent damages to the device. In spite of the limits above, functional operation conditions of the device should within the ranges listed in "recommended operating conditions". Exposure to absolute-maximum-rated conditions for prolonged periods may affect device reliability.*

*NOTE2: The human body model is a 100pF capacitor discharged through a 1.5kΩ resistor into each pin.*

*Test method: ESDA/JEDEC JS-001*

## Electrical Characteristics

VDD=1.8V, CTL=0/1.8V, PIN=0dBm, T<sub>A</sub> =+25°C, Z<sub>0</sub>=50Ω. (unless otherwise noted)

PARAMETER	TEST CONDITION	MIN	TYP	MAX	UNIT
<b>DC Specifications</b>					
VDD	Supply Voltage		1.8		V
IDD	Supply Current	VDD=1.8V	45		μA
IDD	Supply Current	VDD=2.8V	85		μA
VCTL_H VCTL_L	Control Voltage High Low		1.8 0		V
ICTL	Control Current	VCTL = 1.8V	0.1		μA
t <sub>ON</sub>	Turn-on Switching Time	50% of final control voltage to 90% of final RF power	2		μs
<b>RF Specifications</b>					
IL	Insertion loss	699-960MHz 1710-2200MHz 2300-2690MHz 3300-4200MHz 4400-5000MHz 5150-5925MHz	0.27 0.31 0.35 0.41 0.49 0.57		dB dB dB dB dB dB
ISO	Isolation	699-960MHz 1710-2200MHz 2300-2690MHz 3300-4200MHz 4400-5000MHz 5150-5925MHz	33 25 22 20 18 17		dB dB dB dB dB dB
VSWR	Voltage Standing Wave Ratio	699-960MHz 1710-2200MHz 2300-2690MHz 3300-4200MHz 4400-5000MHz 5150-5925MHz	1.06 1.1 1.1 1.2 1.2 1.3		:1 :1 :1 :1 :1 :1
H2	Second Harmonics	35dBm, GSM LB, CW	-72		dBm
H2	Second Harmonics	33dBm, GSM HB, CW	-70		dBm
H3	Third Harmonics	35dBm, GSM LB, CW	-58		dBm
H3	Third Harmonics	33dBm, GSM HB, CW	-61		dBm
P <sub>0.1dB</sub>	0.1dB Compression Point	0.1GHz–6GHz	39		dBm
IIP3	3 <sup>rd</sup> Order Input Intercept Point	F1=2535MHz, 20dBm F2=2415MHz, -15dBm F0=2655MHz	81		dBm

## Timing Diagram (Power ON And OFF Sequence)

It is very important that the user adheres to the correct power-on/off sequence in order to avoid damaging the device. The control signal CTL should be set to 0V unless VDD is set in the operating voltage range.

Power ON:

- 1) Apply voltage supply --- VDD
- 2) Set Controls---CTL
- 3) Apply RF input

Change switch position from one RF port to another:

- 1) Remove RF input
- 2) Change control voltages CTL to set the switch to desired RF port
- 3) Apply RF input

Power OFF:

- 1) Remove RF input
- 2) Remove control voltages-CTL
- 3) Remove VDD input

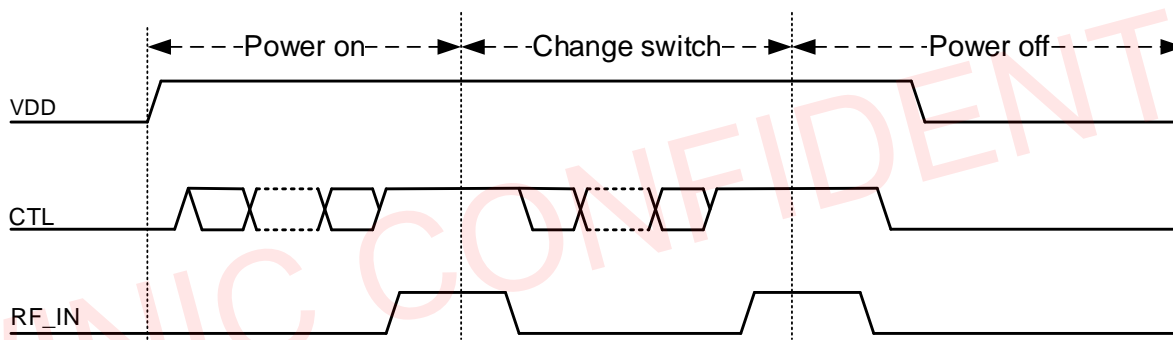


Figure 4 Power On/Change Switch/Power Off Sequence

## AW12022FLR Control Logic

State	Active Path	CTL
1	RF1 to RF4; RF2 to RF3	1
0	RF2 to RF4; RF1 to RF3	0

## Application Circuits

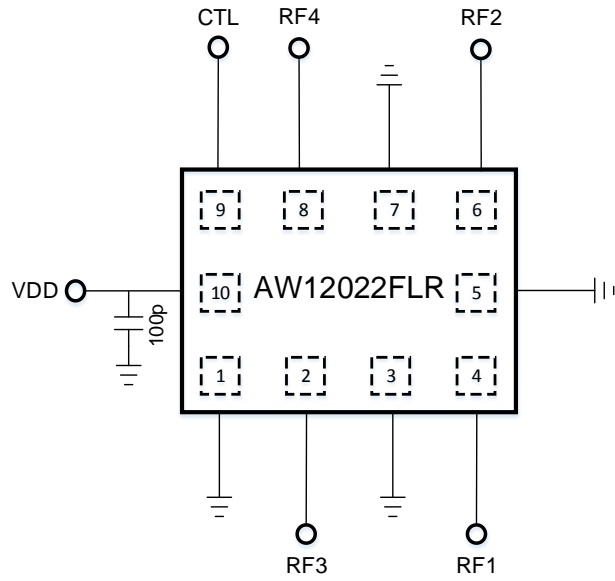
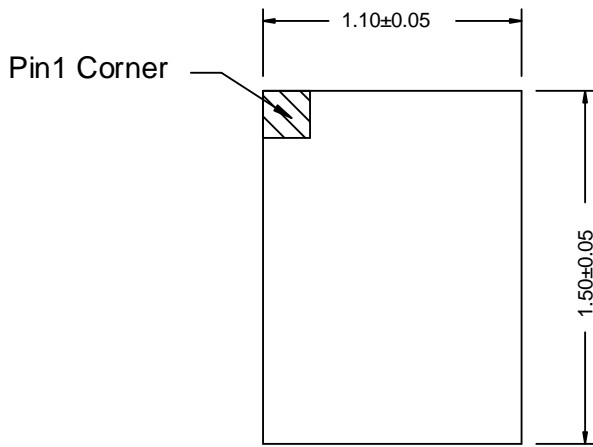
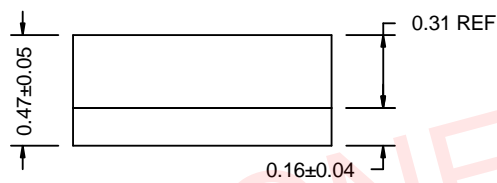


Figure 5 AW12022FLR EVB Schematic

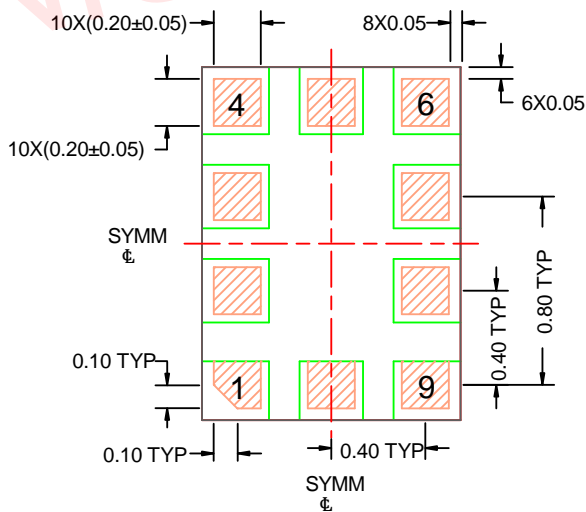
### Package Outline Dimensions



TOP VIEW



SIDE VIEW



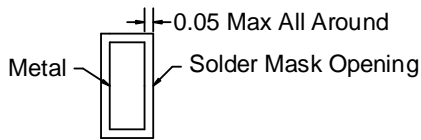
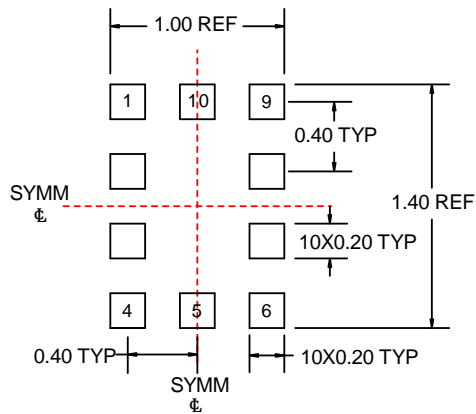
- Solder mask opening
- LGA pad

Unit: mm

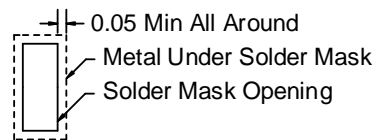
BOTTOM VIEW



Land Pattern Data



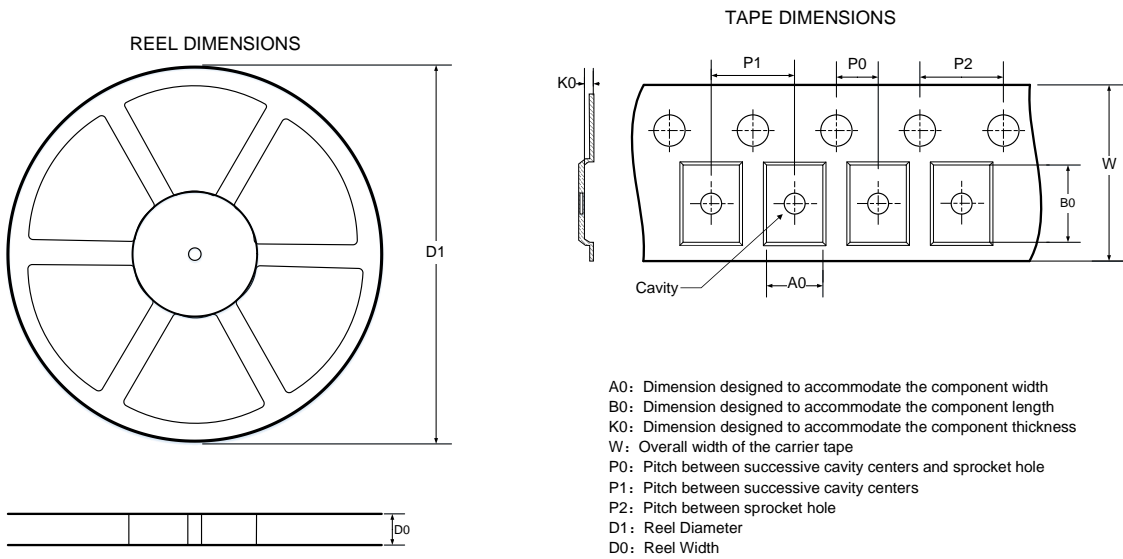
Non-solder Mask Defined



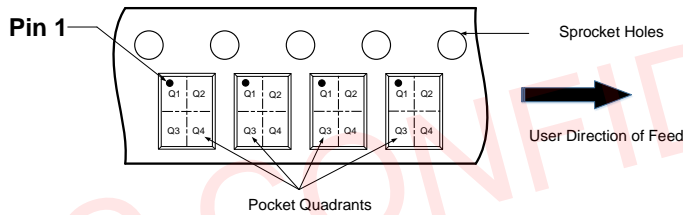
Solder Mask Defined

Unit: mm

## Tape And Reel Information



### QUADRANT ASSIGNMENTS FOR PIN 1 ORIENTATION IN TAPE



DIMENSIONS AND PIN1 ORIENTATION

D1 (mm)	D0 (mm)	A0 (mm)	B0 (mm)	K0 (mm)	P0 (mm)	P1 (mm)	P2 (mm)	W (mm)	Pin1 Quadrant
180	9.5	1.3	1.7	0.6	2	4	4	8	Q1

All dimensions are nominal

## Revision History

Version	Date	Change Record
V0.9	May 2020	Officially Released
V1.0	Jul. 2020	Update electrical characteristics
V1.1	Jul. 2020	Update electrical characteristics

AWINIC CONFIDENTIAL

## Disclaimer

Information in this document is believed to be accurate and reliable. However, Shanghai AWINIC Technology Co., Ltd (AWINIC Technology) does not give any representations or warranties, expressed or implied, as to the accuracy or completeness of such information and shall have no liability for the consequences of use of such information.

AWINIC Technology reserves the right to make changes to information published in this document, including without limitation specifications and product descriptions, at any time and without notice. Customers shall obtain the latest relevant information before placing orders and shall verify that such information is current and complete. This document supersedes and replaces all information supplied prior to the publication hereof.

AWINIC Technology products are not designed, authorized or warranted to be suitable for use in medical, military, aircraft, space or life support equipment, nor in applications where failure or malfunction of an AWINIC Technology product can reasonably be expected to result in personal injury, death or severe property or environmental damage. AWINIC Technology accepts no liability for inclusion and/or use of AWINIC Technology products in such equipment or applications and therefore such inclusion and/or use is at the customer's own risk.

Applications that are described herein for any of these products are for illustrative purposes only. AWINIC Technology makes no representation or warranty that such applications will be suitable for the specified use without further testing or modification.

All products are sold subject to the general terms and conditions of commercial sale supplied at the time of order acknowledgement.

Nothing in this document may be interpreted or construed as an offer to sell products that is open for acceptance or the grant, conveyance or implication of any license under any copyrights, patents or other industrial or intellectual property rights.

Reproduction of AWINIC information in AWINIC data books or data sheets is permissible only if reproduction is without alteration and is accompanied by all associated warranties, conditions, limitations, and notices. AWINIC is not responsible or liable for such altered documentation. Information of third parties may be subject to additional restrictions.

Resale of AWINIC components or services with statements different from or beyond the parameters stated by AWINIC for that component or service voids all express and any implied warranties for the associated AWINIC component or service and is an unfair and deceptive business practice. AWINIC is not responsible or liable for any such statements.

## X-ON Electronics

Largest Supplier of Electrical and Electronic Components

*Click to view similar products for [RF Switch ICs](#) category:*

*Click to view products by [Awinic](#) manufacturer:*

Other Similar products are found below :

[MASW-008853-TR3000](#) [MASW6010G](#) [BGSX210MA18E6327XTSA1](#) [CG2185X2](#) [CG2415M6](#) [MA4AGSW1A](#) [MA4SW410](#)  
[MA4SW410B-1](#) [MASW-002102-13580G](#) [MASW-005100-11940W](#) [BGS 12PL6 E6327](#) [BGS1414MN20E6327XTSA1](#)  
[BGS1515MN20E6327XTSA1](#) [SKY13374-397LF](#) [CG2415M6-C2](#) [AS222-92LF](#) [MASWSS0201TR](#) [MASW-007075-000100](#) [MASW-004103-](#)  
[13655P](#) [MASW-003102-13590G](#) [MASWSS0202TR-3000](#) [MASW-008543-TR3000](#) [MA4SW310B-1](#) [SW-313-PIN](#) [CG2430X1](#) [SKY13405-](#)  
[490LF](#) [SKYA21001](#) [SKY13415-485LF](#) [MMS008PP3](#) [SKY13319-374LF](#) [SKY13404-466LF](#) [SKY13473-569LF](#) [SKY13626-685LF](#)  
[NJG1809ME7-TE1](#) [SKY13343-92LF](#) [MASW-002103-13635P](#) [SKY13417-485LF](#) [MASW-004103-13650P](#) [NJG1649HB6](#)  
[RFASWE660DTF03](#) [BGSA14GN10E6327](#) [FM1694C](#) [XMSS1R6G0PA-001](#) [AW13612FLR](#) [AW13102DNR](#) [FM3418C](#) [AW13508QNR](#)  
[AW13418RQNR](#) [FM8648M](#) [FM8545](#)