

CEM300 NEW

COM Express Type 10 Mini Module with Intel® Pentium® and Celeron® N3000 Series Processors

Features

- Intel® Pentium® and Celeron® processors N3000 series (Braswell)
- Onboard DDR3L 4GB (8GB optional)
- Max. up to 4 lanes of PCIe
- 2 SATA-600
- 2 USB 3.0 and 8 USB 2.0
- LVDS and DDI (Displayport/HDMI/DVI) with dual view supported
- AXView 2.0 intelligent remote management software

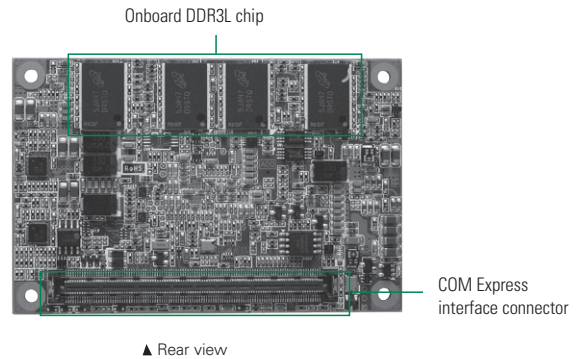
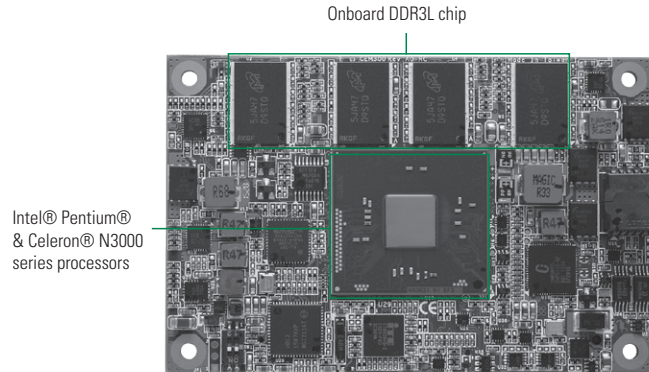


Core System

CPU	Intel® Pentium® N3710 1.6 GHz quad core Intel® Celeron® N3160 1.6 GHz quad core and N3060 1.6 GHz dual core onboard
System Memory	4GB DDR3L onboard memory (8GB optional)
Chipset	SoC integrated
BIOS	AMI uEFI (Legacy free)
SSD	N/A
Watchdog Timer	65536 levels, 0 ~ 65535 sec.
Expansion Interface	4 x PCIe lanes (3 lanes while internal LAN is connected)
Battery Lithium	N/A
Power Input	ATX: 4.75V ~ 20V, +5VSB AT: 4.75V ~ 20V
Size	84 x 55 mm
Board Thickness	2.0 mm
Temperature	0°C ~ +60°C (+32°F ~ +140°F), operation
Operation Humidity	10% ~ 95% relative humidity, non-condensing
Vibration	3.5 Grms

I/O

MIO	1 x LPC interface 1 x SPI interface 2 x Serial TX/RX
SATA	2 x SATA-600
Hardware Monitoring	Yes
Ethernet	1 port as 10/100/1000 Mbps supports Wake-on-LAN, PXE Boot ROM with Intel® i211AT
Audio	HD link interface to baseboard for Codec
USB	2 x USB 3.0 8 x USB 2.0
TPM	N/A
SMBus	Yes
Digital I/O	4 channels IN & 4 channels OUT
Smart Battery	Yes



Display

Chipset	Intel® Gen 8 Graphics Engine Supports Gfx - DX11.1, OCL1.2, OGL 4.2
Display Interface	1 x DDI (DP, HDMI, DVI) 1 x LVDS; 18/24-bit single channel (eDP option)

Packing List

Quick installation guide

Ordering Information

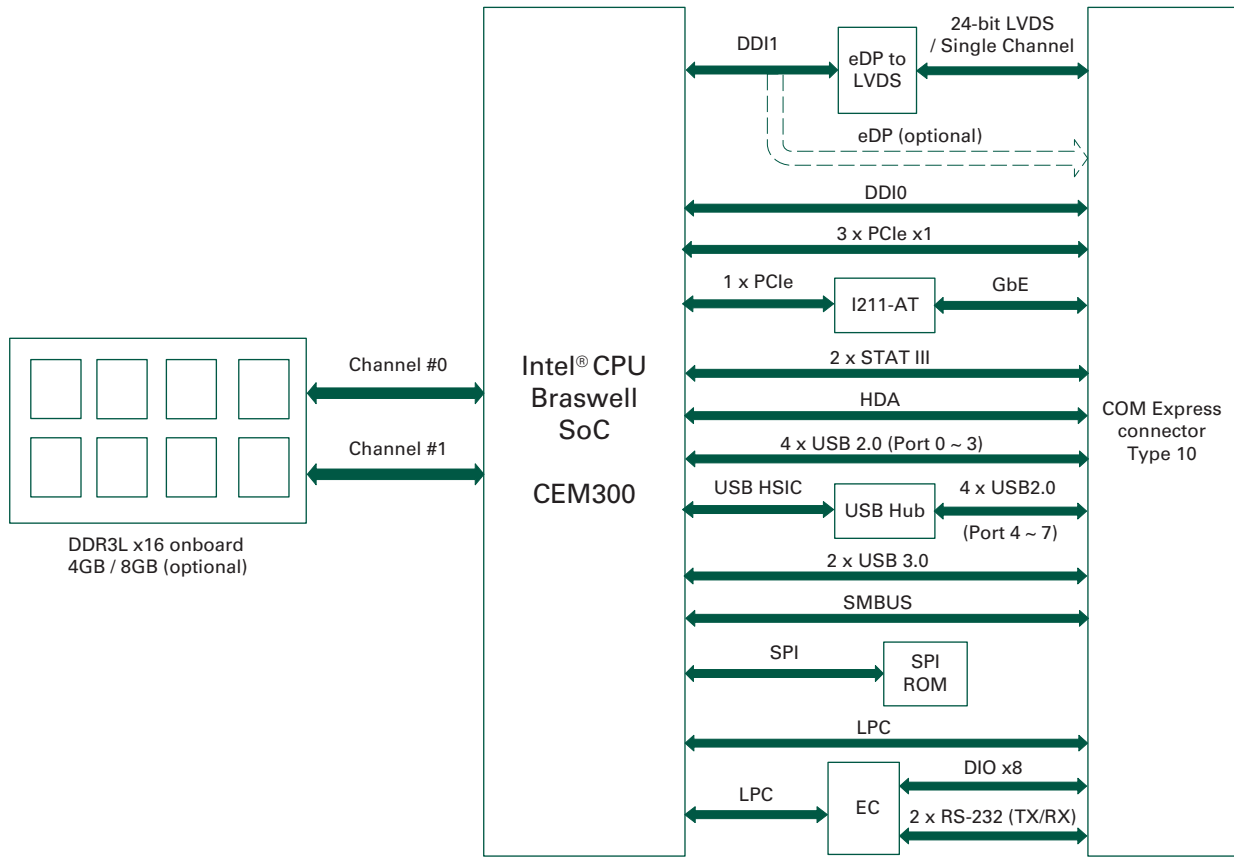
Standard	
CEM300PG-N3710-4G (P/N: E38D300100)	COM Express Type 10 mini module with Intel® Pentium® N3710, 4GB, DP/LVDS, USB 3.0 and GbE LAN
CEM300PG-N3160-4G (P/N: E38D300102)	COM Express Type 10 mini module with Intel® Celeron® N3160, 4GB, DP/LVDS, USB 3.0 and GbE LAN
CEM300PG-N3060-4G (P/N: E38D300104)	COM Express Type 10 mini module with Intel® Celeron® N3060, 4GB, DP/LVDS, USB 3.0 and GbE LAN

Optional Accessories

CEB94008 (P/N: E394008100)	ATX form factor Type 10 evaluation board
5078D300100E	CEM300 heat spreader
5078D840200E	heat sink with fan

Note: 5078D840200E has to be with 5078D300100E

Block Diagram



X-ON Electronics

Largest Supplier of Electrical and Electronic Components

Click to view similar products for [Computer-On-Modules - COM category](#):

Click to view products by [Axiomtek manufacturer](#):

Other Similar products are found below :

[FP2-BP12](#) [CEM881PG-i7-5650U](#) [t2Express-HL-i5-4402E](#) [34099-0000-99-2](#) [38017-0000-00-0](#) [36024-0000-99-1](#) [34099-0000-99-0](#) [36026-0000-99-1](#) [36026-0000-99-0](#) [38017-0000-00-5](#) [36016-4000-19-4](#) [VSTK-6ULL-NFC](#) [Express-SL-i7-6820EQ](#) [W612M3A600SC](#) [24828-10724571-309](#) [30846-682](#) [ET970K-X3G](#) [UPC-PLUSX5Q-A20-0464](#) [UPC-PLUSX7-A20-08128](#) [UPC-PLUSX5D-A20-0232](#) [UPC-PLUSX7-A20-0864](#) [UPX-WHLCR-A20-04064](#) [cExpress-BL-i5-5350U](#) [cExpress-KL-i3-7100U](#) [Express-BD7-D1539](#) [Express-CF-i5-8400H](#) [Express-HLE-i3-4100E](#) [Express-IBR-i7-R-3612QE](#) [LEC-BT4-4G-8G-ER](#) [nanoX-BT-E3825-2G/8G](#) [nanoX-BT-E3845-4G](#) [Q7-BT1-2G-8G-ER](#) [ROM-3310CS-MCA1E](#) [ROM-3310WS-MCA1E](#) [Evo M51](#) [EmNANO-a56M0-210HA](#) [EmQ-i2301-E3825](#) [EmQ-i2301-E3845](#) [EmQ-i2506](#) [G552BE](#) [CEM130-V1202B](#) [CEM700-D1508](#) [ET976-1807LV-4G](#) [ET976-1202-4G](#) [ET976-1605-4G](#) [ET976-1605LV-4G](#) [ET976-1605LV-8G](#) [ET976-1807LV-8G](#) [ET976-1202LV-E4G](#)