

CEM501

COM Express Type 6 Compact Module with 6th Gen Intel® Core™ i7/i5/i3 and Celeron® Processor

Features

- 6th gen Intel® Core™ i7/i5/i3 and Celeron® processors (Skylake-U)
- 2 DDR4-2133 SO-DIMM, up to 32GB
- Max. up to 6 lanes of PCI Express
- 3 SATA-600
- 4 USB 3.0 and 8 USB 2.0
- AXView 2.0 intelligent remote management software
- TPM 1.2 supported

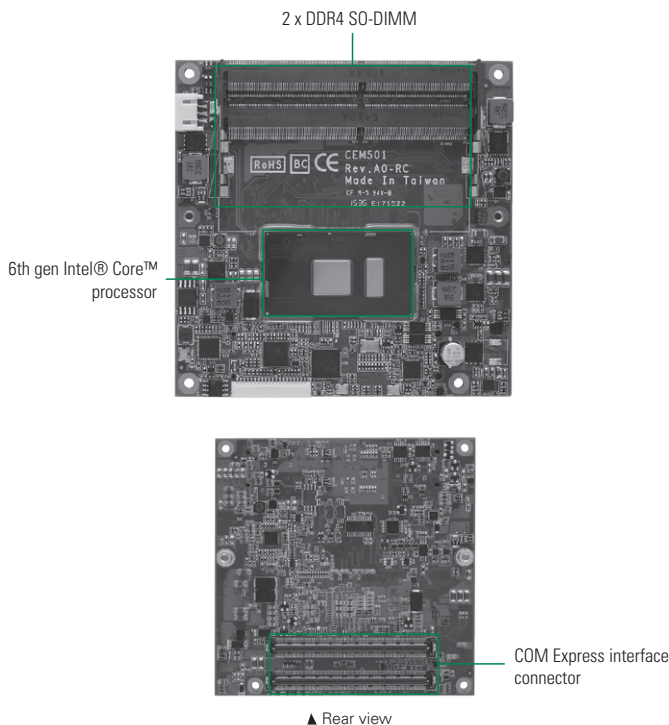


Core System

CPU	6th gen Intel® Core™ processor: i7-6600U 2.6 GHz, i5-6300U 2.4 GHz, i3-6100U 2.3 GHz, Celeron®-3955U 2.0 GHz (Skylake-U) onboard
System Memory	2 x 260-pin DDR4-2133 SO-DIMM, up to 32GB
Chipset	SoC integrated
BIOS	AMI uEFI (Legacy free)
SSD	N/A
Watchdog Timer	65536 levels, 0 ~ 65535 sec.
Expansion Interface	6 lanes of PCI Express Gen. 3.0
Battery Lithium	N/A
Power Input	ATX: +12V, +5VSB AT: +12V
Size	95 x 95 mm
Board Thickness	2.0 mm
Temperature	-40°C ~ +85°C (-40°F ~ +185°F), operation
Operation Humidity	10% ~ 95% relative humidity, non-condensing
Vibration	3.5 Grms

I/O

MIO	1 x LPC interface 1 x SPI interface 2 x Serial TX/RX 1 x I ² C interface
SATA	3 x SATA-600
Hardware Monitoring	Yes
Ethernet	1 port as 10/100/1000 Mbps supports Wake-on-LAN, PXE Boot ROM with Intel® i219LM
Audio	HD link interface to baseboard for Codec
USB	4 x USB 3.0 and 8 x USB 2.0
TPM	TPM 1.2
SMBus	Yes
Digital I/O	4 channels IN & 4 channels OUT (SDIO optional)
Battery Support	Yes



Display

Chipset	Intel® Gen 9 Graphics Engine support Gfx - DX12.0, OCL2.0, OGL4.3
Display Interface	2 x DDI (DP/HDMI/DVI). The 2nd DDI could be configured to VGA (optional) 1 x LVDS; 18/24-bit dual channel (eDP optional)

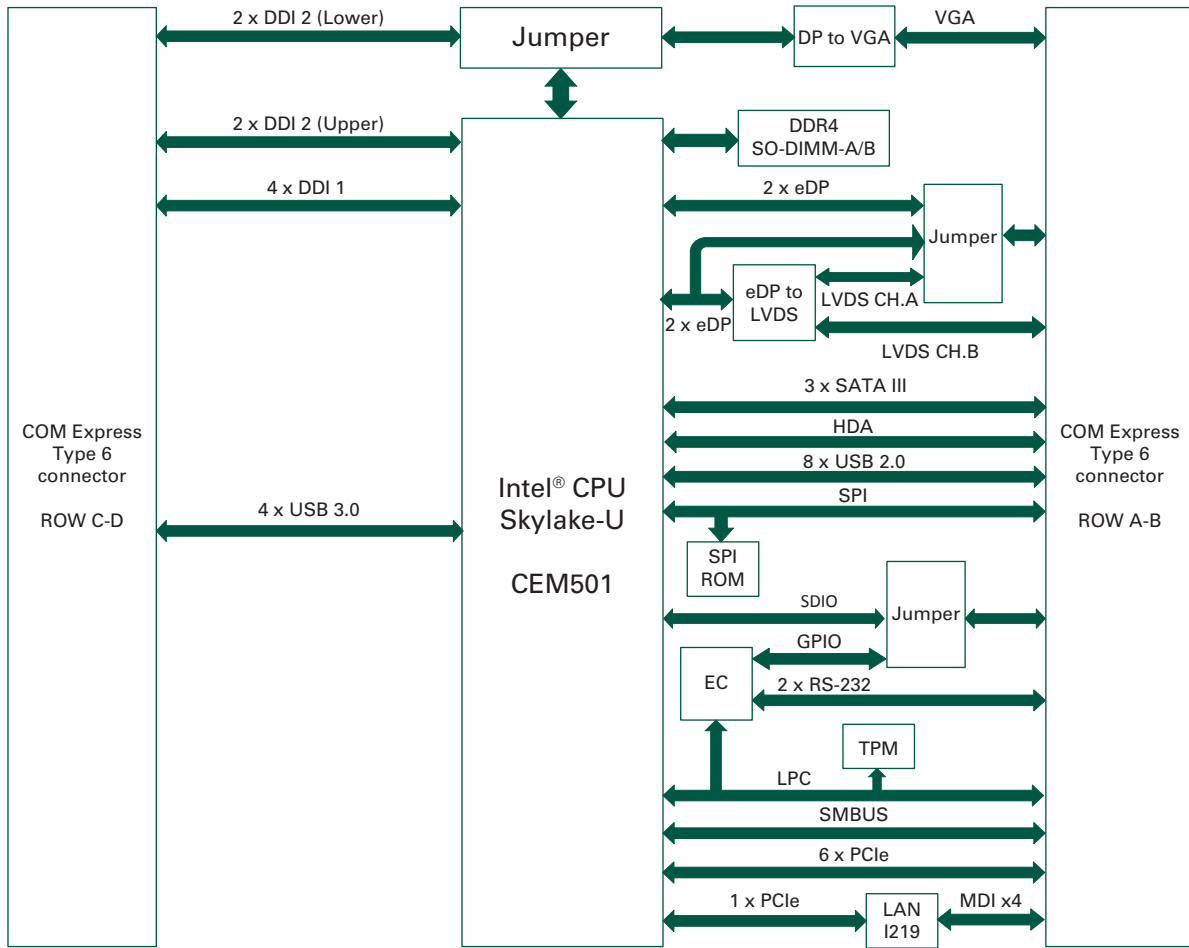
Packing List

Quick installation guide

Ordering Information

Standard	
CEM501PG-CEL-3955U (P/N: E38D501100)	COM Express Type 6 compact module Intel® Celeron® 3955U (2.0 GHz), DDI/LVDS, GbE LAN, USB 3.0 and TPM
CEM501PG-i7-6600U (P/N: E38D501102)	COM Express Type 6 compact module with Intel® Core™ i7-6600U (2.6 GHz), DDI/LVDS, GbE LAN, USB 3.0 and TPM
CEM501PG-i5-6300U (P/N: E38D501103)	COM Express Type 6 compact module with Intel® Core™ i5-6300U (2.4 GHz), DDI/LVDS, GbE LAN, USB 3.0 and TPM
CEM501PG-i3-6100U (P/N: E38D501101)	COM Express Type 6 compact module with Intel® Core™ i3-6100U (2.3 GHz), DDI/LVDS, GbE LAN, USB 3.0 and TPM
Optional	
CEB94011 (P/N: E394011100)	CEB94011 COM Express Type 6 evaluation board
TS007-CEM501 (P/N: E39J007100)	CEM501 heat sink with fan
5078D501200E	CEM501 heat spreader

Block Diagram



X-ON Electronics

Largest Supplier of Electrical and Electronic Components

Click to view similar products for [Computer-On-Modules - COM category](#):

Click to view products by [Axiomtek manufacturer](#):

Other Similar products are found below :

[FP2-BP12](#) [CEM881PG-i7-5650U](#) [t2Express-HL-i5-4402E](#) [34099-0000-99-2](#) [38017-0000-00-0](#) [36024-0000-99-1](#) [34099-0000-99-0](#) [36026-0000-99-1](#) [36026-0000-99-0](#) [38017-0000-00-5](#) [36016-4000-19-4](#) [VSTK-6ULL-NFC](#) [Express-SL-i7-6820EQ](#) [W612M3A600SC](#) [24828-10724571-309](#) [30846-682](#) [ET970K-X3G](#) [UPC-PLUSX5Q-A20-0464](#) [UPC-PLUSX7-A20-08128](#) [UPC-PLUSX5D-A20-0232](#) [UPC-PLUSX7-A20-0864](#) [UPX-WHLCR-A20-04064](#) [cExpress-BL-i5-5350U](#) [cExpress-KL-i3-7100U](#) [Express-BD7-D1539](#) [Express-CF-i5-8400H](#) [Express-CFR-E-2254ML](#) [Express-HLE-i3-4100E](#) [Express-IBR-i7-R-3612QE](#) [LEC-BT4-4G-8G-ER](#) [nanoX-BT-E3825-2G/8G](#) [Q7-BT1-2G-8G-ER](#) [ROM-3310CS-MCA1E](#) [ROM-3310WS-MCA1E](#) [Evo M51](#) [EmNANO-a56M0-210HA](#) [EmQ-i2301-E3825](#) [EmQ-i2301-E3845](#) [EmQ-i2506](#) [G552BE](#) [CEM130-V1202B](#) [CEM700-D1508](#) [ET976-1807LV-4G](#) [ET976-1202-4G](#) [ET976-1605-4G](#) [ET976-1605LV-4G](#) [ET976-1605LV-8G](#) [ET976-1807LV-8G](#) [ET976-1202LV-E4G](#)