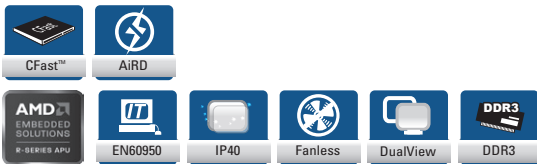


eBOX620-110-FL

Fanless Embedded System with AMD G-Series APU and Dual Display Support

Features

- AMD G-Series APU T40R 1.0 GHz or T56N 1.65 GHz onboard
- AMD A50M FCH
- DDR3-1066/1333 SO-DIMM, up to 4GB
- 1 DisplayPort and 1 VGA port
- 1 RS-232/422/485 and 3 RS-232 ports
- Supports Jumbo Frame
- One 2.5" SATA drive bay and one CompactFlash™ 2.0 slot
- 1 internal PCI Express Mini Card slot



Specifications

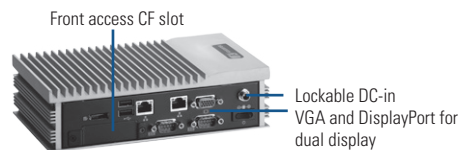
Standard Color	Silver-Black
Construction	Aluminum extrusion and heavy-duty steel, IP40
CPU	AMD G-Series APU T40R 1.0 GHz or T56N 1.65 GHz
System Memory	1 x 204-pin DDR3-1066/1333 SO-DIMM, up to 4GB
Chipset	AMD A50M FCH
BIOS	AMI
System I/O Outlet	1 x RS-232/422/485 (COM 1) 3 x RS-232 (COM 2/ 3/ 4) 1 x VGA 1 x DisplayPort 1 x Audio (Mic-in/Line-out) 2 x 10/100/1000 Mbps Ethernet (Realtek RTL8111E) 6 x USB 2.0 1 x SMA type connector opening for antenna 1 x VDC power input connector 1 x ATX power switch
Watchdog Timer	255 levels, 1~255 sec.
Storage	1 x 2.5" SATA HDD drive bay 1 x CompactFlash™ slot
Expansion Interface	1 x PCI Express Mini Card slot (USB+PCI Express signal) 1 x internal USB Wi-Fi mounting space
System Indicator	1 x green LED for system power-on 1 x orange LED for HDD active
Power Supply	Screw type AC 60W adapter Input: AC 90~264V Output: DC12V@5A
Operating Temperature	-10°C ~ +45°C (14°F ~ 113°F) (with W.T. HDD)
Humidity	10%~90% , non-condensing
Vibration Endurance	2 Grms with CompactFlash™ (5-500Hz, X, Y, Z directions)
Dimensions	200 mm (7.87") (W) x 120 mm (4.72") (D) x 56 mm (2.2") (H)
Weight (net/gross)	1.98 kg (4.36 lb)/ 2.6 kg (5.73 lb)
Certificate	CE
EOS Support	XPE, Linux, WES7, WES

Packing List

- 1 x Quick manual
- 1 x Driver CD
- 1 x Screw pack
- 4 x Foot pad
- 1 x Power adapter
- 2 x CF mylar
- 1 x HDD mylar
- 1 x Power cord



▲ Front view



▲ Rear view

Power Protection

AC Version

- OVP (over voltage protection)
- OCV (over current protection)
- SCP (short circuit protection)

Ordering Information

Standard

eBOX620-110-FL-T56N- Fanless embedded system with AMD dual core T56N 1.65 GHz, VGA, DisplayPort, 2 GbE LAN, 4 COM, 6 USB, AC-DC 60W adapter, CF and HDD

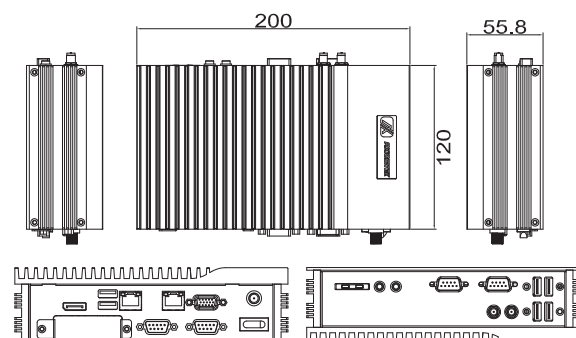
eBOX620-110-FL-T40R- Fanless embedded system with AMD single core T40R 1.0 GHz, VGA, DisplayPort, 2 GbE LAN, 4 COM, 6 USB, AC-DC 60W adapter, CF and HDD

Optional

2.5" SATA HDD	40GB or above
2.5" SATA SSD	4GB or above
DDR3 SO-DIMM	Max. up to 2GB
CompactFlash™	1GB or above
Power adapter bracket kit	
Wi-Fi module	
GPS module	
Wall mount kit	88606200010E
VESA arm kit	88606200020E
DIN-rail kit	88606200030E
Power cord	

*Specifications and certifications are based on options and may vary.

Dimensions



X-ON Electronics

Largest Supplier of Electrical and Electronic Components

Click to view similar products for [Embedded Box Computers](#) category:

Click to view products by [Axiomtek](#) manufacturer:

Other Similar products are found below :

[tBOX312-870-FL-i7-DC](#) [tBOX313-835-FL-RJ-DC](#) [UPOS-3150-R0W0E](#) [ARK-20-S8A1E](#) [R2224WTTYSR](#) [BXNUC9i5QNX](#)
[BXNUC9i5QNX1](#) [BKNUC9V7QNX](#) [BKNUC9V7QNX1](#) [2-A0DF-2001](#) [BKCMB1ABB](#) [BKCMB1ABA](#) [EM3000-3845-8-128-WL-U-1](#)
[TANK-870AI-i5/8G/2A-R10](#) [PRFE21000038](#) [EM5000-I3-8-128-WL-W7-1](#) [EM3000-3845-8-128-WL-W7-1](#) [PRFE21000039](#) [AMOS-825-](#)
[1Q10A1](#) [UPS-EDAI-X70864-U01-DC01](#) [UPX-EDGEI7-A10-1664-F01](#) [MXE-211/M8G](#) [PXIe-3985/M16G](#) [PXIe-3987/M16G/SSD](#)
[ROScube-I, IntelR Core? i7, RQI-57](#) [AIMB-T1215DA-00Y0E](#) [AIMB-T1217DW-00Y0E](#) [AIMB-T12315A-00Y0E](#) [AMAX-5580-54000A](#)
[APAX-5580-474AE](#) [ARK-6322-Q0A2E](#) [DS-100GF-S8A1E](#) [DS-100GL-S8A1E](#) [EPC-R4680CQ-XAA1E](#) [ESRP-CSS-UNO2484](#) [ITA-1611-](#)
[10A1E](#) [ITA-1711-10A1E](#) [MIC-720AI-00A1](#) [UNO-247-J1N1AE](#) [UTX-3115FS-S6A2E](#) [AMI220AF-4L-7500](#) [ELIT-1200](#) [AIE100-903-FL](#)
[EBOX671-517-FL-DC](#) [MVS900-511-FL](#) [AMS200](#) [SE-92-I7](#) [SI-606](#) [SI-60E](#) [ITG-100-AL-E1/2GB/S-R10](#)