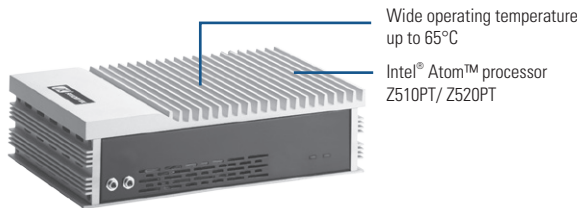


eBOX620-823-FL

Fanless Embedded System with Intel® Atom™ Processor Z510PT/ Z520PT



▲ Front view



IP40

Fanless

Low Power

Extended Temperature

Specifications

Standard Color	Silver-Black
Construction	Aluminum extrusion and heavy-duty steel, IP40
CPU	Intel® Atom™ processor Z510PT 1.1 GHz or Z520PT 1.33 GHz
System Memory	1 x 200-pin DDR2 SO-DIMM max. up to 2 GB
Chipset	Intel® SCH US15WPT
BIOS	AMI 8Mbit with RPL/PXE LAN boot ROM
System I/O Outlet	2 x RS-232 (COM 1/2) 1 x VGA 1 x Audio (Mic-in/Line-out) 1 x PS/2 keyboard/mouse 1 x 10/100/1000Mbps Ethernet (Intel® 82574IT) 4 x USB 2.0 1 x SMA type connector opening for Antenna 1 x VDC power input connector 1 x ATX power switch
Watchdog Timer	255 levels, 1 ~ 255 sec.
Storage	1 x 2.5" SATA HDD drive bay 1 x CompactFlash™ slot
Expansion Interface	1 x PCI Express Mini Card slot (USB signal)
System Indicator	1 x green LED for system power-on 1 x orange LED for HDD active
Power Supply	36W 12V ~ 24VDC
Operating Temperature	-40°C ~ +65°C (-40°F ~ +149°F) (with 1.33 GHz CPU, W.T. CF) -40°C ~ +60°C (-40°F ~ +140°F) (with 1.33 GHz CPU, W.T. HDD)
Storage Temperature	-45°C ~ +80°C (-49°F ~ +176°F)
Humidity	10% ~ 90% , non-condensing
Vibration Endurance	2 Grms with CF (5 - 500 Hz, X, Y, Z directions)
Dimensions	200 mm (7.87") (W) x 120 mm (4.72") (D) x 56 mm (2.2") (H)
Weight (net/gross)	1.8 kg (3.97 lb)/2.6 kg (5.73 lb)
Certification	CE
EOS Support	XPE, WinCE, Linux, WES

* XPE: Windows® XP Embedded

* WES: Windows® XP Embedded Standard

* WES7: Windows® XP Embedded Standard 7

* WES8: Windows® XP Embedded Standard 8

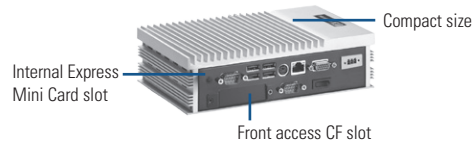
Packing List

- 1 x quick manual
- 1 x driver CD
- 1 x Y cable for PS/2 keyboard/mouse
- 1 x screw pack
- 4 x foot pad
- 2 x CF mylar
- 1 x HDD mylar
- 1 x DC-in connector

* All specifications and photos are subject to change without notice.
© 2014 Axiomtek Co., Ltd. All rights reserved.

Features

- Intel® Atom™ processor Z510PT/ Z520PT onboard
- Intel® SCH US15WPT chipset with I/O controller
- Supports wide operating temperature of -40°C ~ +65°C
- Fanless operation design with full feature I/O
- One 2.5" SATA HDD drive bay and 1 CompactFlash™ slot
- Supports Jumbo Frame (9k), WoL, PXE Remote Boot



▲ Rear view

Power Protection

DC Version

- EMI suppression filter
- OVP (over voltage protection)
- UVP (under voltage protection)
- OCP (over current protection)
- OTP (over temperature protection)
- Reverse protection

Ordering Information

Standard

eBOX620-823-FL-1.3 G	Fanless embedded system with Intel® Atom™ processor Z520PT 1.33 GHz (-40°C ~ +65°C)
eBOX620-823-FL-1.1 G	Fanless embedded system with Intel® Atom™ processor Z510PT 1.1 GHz (-40°C ~ +65°C)

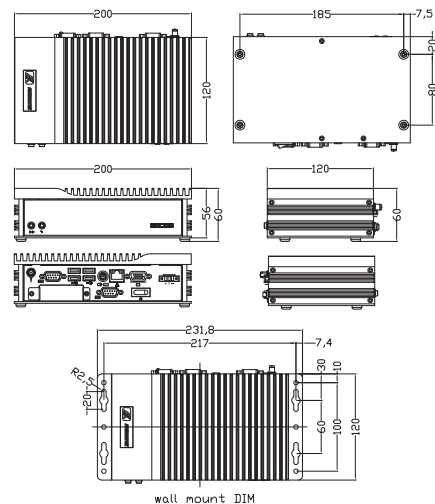
Optional

2.5" SATA HDD	40 GB or above
2.5" SATA SSD	4 GB or above
DDR2 SODIMM	256 MB ~ 2 GB
Compact flash	256 MB or above
Din rail kit	
Wall mount kit	
VESA mount kit	

* Specifications and certifications are based on options and may vary.

** This product contains antenna or related module defaultly.

Dimensions



X-ON Electronics

Largest Supplier of Electrical and Electronic Components

Click to view similar products for [Embedded Box Computers](#) category:

Click to view products by [Axiomtek](#) manufacturer:

Other Similar products are found below :

[tBOX312-870-FL-i7-DC](#) [tBOX313-835-FL-RJ-DC](#) [UPOS-3150-R0W0E](#) [ARK-20-S8A1E](#) [R2224WTTYSR](#) [BXNUC9i5QNX](#)
[BXNUC9i5QNX1](#) [BKNUC9V7QNX](#) [BKNUC9V7QNX1](#) [2-A0DF-2001](#) [BKCMB1ABB](#) [BKCMB1ABA](#) [EM3000-3845-8-128-WL-U-1](#)
[TANK-870AI-i5/8G/2A-R10](#) [PRFE21000038](#) [EM5000-I3-8-128-WL-W7-1](#) [EM3000-3845-8-128-WL-W7-1](#) [PRFE21000039](#) [AMOS-825-](#)
[1Q10A1](#) [UPS-EDAI-X70864-U01-DC01](#) [UPX-EDGEI7-A10-1664-F01](#) [MXE-211/M8G](#) [PXIe-3985/M16G](#) [PXIe-3987/M16G/SSD](#)
[ROScube-I, IntelR Core? i7, RQI-57](#) [AIMB-T1215DA-00Y0E](#) [AIMB-T1217DW-00Y0E](#) [AIMB-T12315A-00Y0E](#) [AMAX-5580-54000A](#)
[APAX-5580-474AE](#) [ARK-6322-Q0A2E](#) [DS-100GF-S8A1E](#) [DS-100GL-S8A1E](#) [EPC-R4680CQ-XAA1E](#) [ESRP-CSS-UNO2484](#) [ITA-1611-](#)
[10A1E](#) [ITA-1711-10A1E](#) [MIC-720AI-00A1](#) [UNO-247-J1N1AE](#) [UTX-3115FS-S6A2E](#) [AMI220AF-4L-7500](#) [ELIT-1200](#) [AIE100-903-FL](#)
[EBOX671-517-FL-DC](#) [MVS900-511-FL](#) [AMS200](#) [SE-92-I7](#) [SI-606](#) [SI-60E](#) [ITG-100-AL-E1/2GB/S-R10](#)