

# eBOX626-311-FL

Fanless Embedded System with Intel® Atom® x5-E3940 1.8 GHz, HDMI, VGA, 2 GbE LAN, 6 USB and 3 COM

## Features

- Intel® Atom® x5-E3940 onboard
- 204-pin DDR3L-1866 SO-DIMM for up to 8GB of memory
- Supports 2 GbE LAN, 3 COM and 6 USB
- One 2.5" SATA drive bay and mSATA supported
- Trusted Platform Module (TPM) 1.2
- 2 PCI Express Mini Card slots and 1 SIM slot
- -40°C to +60°C operating temperature range
- AMS.AXView intelligent remote monitoring software for IIoT



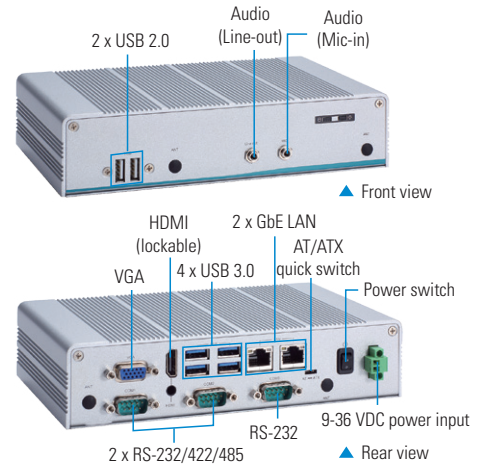
## Specifications

Standard Color	Silver
Construction	Aluminum extrusion and heavy-duty steel, IP40
CPU	Intel® Atom® Processor x5-E3940 1.8 GHz
System Memory	1 x 204-pin DDR3L-1866 SO-DIMM, up to 8GB
Chipset	SoC integrated
BIOS	AMI
System I/O Outlet	2 x RS-232/422/485 1 x RS-232 1 x HDMI (lockable) 1 x VGA 1 x Audio (Mic-in/Line-out) 2 x 10/100/1000 Mbps Ethernet (Intel® i211-AT) 4 x USB 3.0 2 x USB 2.0 4 x SMA-type antenna connector 1 x Phoenix type VDC power input connector 1 x AT/ATX switch 1 x ATX power switch
Watchdog Timer	65536 levels, 1 to 65535 sec.
Storage	1 x 2.5" SATA HDD drive bay (max. up 9.5 mm height) 1 x mSATA (enabled in BIOS setting)
Expansion Interface	2 x Full-size PCI Express Mini Card slot (USB + PCIe signal) 1 x SIM slot
TPM	TPM 1.2
System Indicator	1 x Green LED for system power-on 1 x Yellow LED for HDD/SSD active
Power Supply	9 to 36 VDC
Operating Temperature	-40°C to +60°C (-40°F to +140°F) (with W.T. SSD/DRAM for 9 to 36 VDC) (Default: Turbo mode)
Humidity	10% - 95%, non-condensing
Shock Vibration	IEC 60068-2-27 (with SSD: 50G, half sine, 11 ms duration)
Vibration Endurance	IEC 60068-2-64 (with SSD: 3Grms STD, random, 5 to 500 Hz, 1 hr/axis)
Dimensions	200 mm (7.87") (W) x 120 mm (4.72") (D) x 46 mm (1.81") (H)
Weight (net/gross)	1.2 kg (2.65 lb)/1.6 kg (3.53 lb)
Certifications	CE, FCC Class A
EOS Support	Win10 IoT, Linux
Software Support	AMS.AXView

\* W.T.: Wide Temperature. All W.T. supported products have to be sorted by Axiomtek.

## Packing List

- 1 x Screws pack
- 4 x Pre-installed foot pad
- 1 x DRAM thermal pad



## Power Protection

### AC Version

- OVP (over voltage protection)
- UVP (under voltage protection)
- SCP (short current protection)

## Ordering Information

### Standard

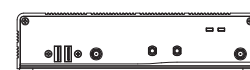
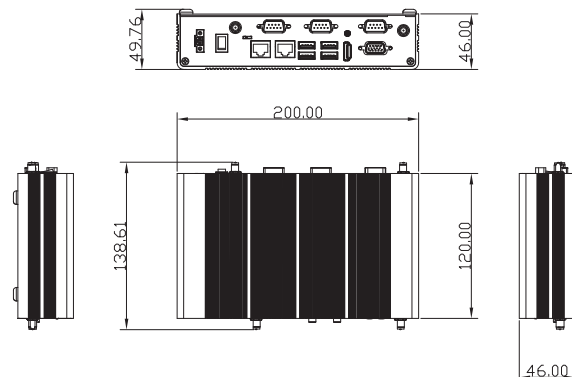
Fanless embedded system with Intel® Atom® x5-E3940 1.8 GHz, HDMI, VGA, 2 GbE LANs, 6 USB and 3 COM (w/o 24V/120W adapter and power cord)

### Optional

2.5" SATA HDD	320GB or above
2.5" SATA SSD	128GB or above
DDR3L SO-DIMM	2GB to 8GB
mSATA	64MB or above
8816K6271AOE	Wall mount Kit
8816K6272AOE	VESA mount kit
8816K6273AOE	DIN-rail kit
	3G/LTE module
50906D24000E	24V 120W power adapter
	Power cord

\* Specifications and certifications may vary based on different requirements.

## Dimensions



## X-ON Electronics

Largest Supplier of Electrical and Electronic Components

*Click to view similar products for [Embedded Box Computers](#) category:*

*Click to view products by [Axiomtek](#) manufacturer:*

Other Similar products are found below :

[tBOX312-870-FL-i7-DC](#) [tBOX313-835-FL-RJ-DC](#) [UPOS-3150-R0W0E](#) [ARK-20-S8A1E](#) [R2224WTTYSR](#) [BXNUC9i5QNX](#)  
[BXNUC9i5QNX1](#) [BKNUC9V7QNX](#) [BKNUC9V7QNX1](#) [2-A0DF-2001](#) [BKCMB1ABB](#) [BKCMB1ABA](#) [EM3000-3845-8-128-WL-U-1](#)  
[TANK-870AI-i5/8G/2A-R10](#) [PRFE21000038](#) [EM5000-I3-8-128-WL-W7-1](#) [EM3000-3845-8-128-WL-W7-1](#) [PRFE21000039](#) [AMOS-825-](#)  
[1Q10A1](#) [UPS-EDAI-X70864-U01-DC01](#) [UPX-EDGEI7-A10-1664-F01](#) [MXE-211/M8G](#) [PXIe-3985/M16G](#) [PXIe-3987/M16G/SSD](#)  
[ROScube-I, IntelR Core? i7, RQI-57](#) [AIMB-T1215DA-00Y0E](#) [AIMB-T1217DW-00Y0E](#) [AIMB-T12315A-00Y0E](#) [AMAX-5580-54000A](#)  
[APAX-5580-474AE](#) [ARK-6322-Q0A2E](#) [DS-100GF-S8A1E](#) [DS-100GL-S8A1E](#) [EPC-R4680CQ-XAA1E](#) [ESRP-CSS-UNO2484](#) [ITA-1611-](#)  
[10A1E](#) [ITA-1711-10A1E](#) [MIC-720AI-00A1](#) [UNO-247-J1N1AE](#) [UTX-3115FS-S6A2E](#) [AMI220AF-4L-7500](#) [ELIT-1200](#) [AIE100-903-FL](#)  
[EBOX671-517-FL-DC](#) [MVS900-511-FL](#) [AMS200](#) [SE-92-I7](#) [SI-606](#) [SI-60E](#) [ITG-100-AL-E1/2GB/S-R10](#)