

# eBOX670-891-FL

Fanless Embedded System with LGA1151 Socket 7th/6th Gen Intel® Core™ & Celeron® Processor, Intel® Q170, 2 HDMI, DisplayPort, 4 GbE LAN, 8 USB, 2 PCI Express Mini Card Slots

## Features

- LGA1151 socket 7th/6th gen Intel® Core™ i7/i5/i3 & Celeron® processors (Kaby Lake/Skylake)
- 1 DisplayPort and 2 HDMI (1 HDMI 2.0) with triple view supported
- Supports Jumbo Frame (9.5k), WoL, PXE Remote Boot, Teaming
- 9 to 36 VDC wide range power input
- Flexible I/O window design
- AMS.AXView intelligent remote monitoring software for IIoT



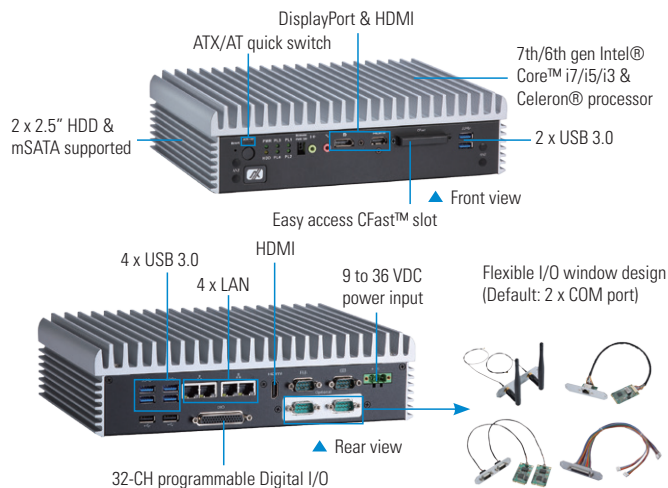
## Specifications

Standard Color	Silver-black
Construction	Aluminum extrusion and heavy-duty steel, IP40
CPU	LGA1151 socket 7th/6th gen Intel® Core™ i7/i5/i3 & Celeron® processor (CPU TDP max. up to 35W)
System Memory	6th gen: 2 x 260-pin SO-DIMM DDR4-1866/2133, up to 32GB 7th gen: 2 x 260-pin SO-DIMM DDR4-2133/2400, up to 32GB
Chipset	Intel® Q170
BIOS	AMI
System I/O Outlet	2 x RS-232/422/485 (onboard) 2 x RS-232/422/485 (via cable on flexible IO window) 2 x HDMI (1 x HDMI 2.0 & 1 x HDMI 1.4b) 1 x DisplayPort 1 x Audio (Mic-in/Line-out) 4 x 10/100/1000 Mbps Ethernet (Intel® i210-IT, i219-LM) 6 x USB 3.0 & 2 x USB 2.0 32-channel programmable DI/DO 4 x SMA-type antenna connector 1 x Phoenix type VDC power input connector 1 x ATX power switch 1 x Remote power switch 1 x AT/ATX quick switch 1 x Reset switch 1 x Flexible I/O window (default : 2 x COM port)
Watchdog Timer	255 levels, 1 to 255 sec.
Storage	2 x 2.5" SATA HDD drive bay (max. up 15 mm height & RAID 0 & 1) 1 x CFast™ 1 x mSATA (enabled in BIOS setting)
Expansion Interface	2 x Full-size PCI Express Mini Card slot (USB + PCI Express signal) 1 x SIM slot
System Indicator	1 x Green LED for power-on 1 x Yellow LED for HDD active 4 x Green LED for programmable
TPM	N/A
Power Input	9 to 36 VDC
Operating Temperature	-40°C to +60°C (-40°F to +140°F) (with W.T. DRAM/SSD for Skylake) -40°C to +55°C (-40°F to +131°F) (with W.T. DRAM/SSD for Kaby Lake)
Humidity	10% - 95%, non-condensing
Vibration Endurance	3 Grms with SSD (5 to 500 Hz, X, Y, Z directions)
Dimensions	280 mm (11.02") (W) x 190 mm (7.48") (D) x 76 mm (2.99") (H)
Weight (net/gross)	3.8 kg (8.37 lb)/4.6 kg (10.14 lb)
Certifications	UL62368-1 certified, CE, FCC Class A
EOS Support	WE8S, Win 10 IoT, Linux
Software Support	AMS.AXView

\* W.T.: Wide Temperature. All W.T. supported products have to be sorted by Axiomtek.

## Packing List

1 x Screw pack	1 x Remote switch cable
4 x Pre-installed foot pad	2 x HDD bracket
1 x Terminal block connector	1 x CPU thermal pad



## Power Protection

### DC Version

- OVP (over voltage protection)
- UVP (under voltage protection)
- OCV (over current protection)
- SCP (short circuit protection)
- Reverse protection

## Ordering Information

### Standard

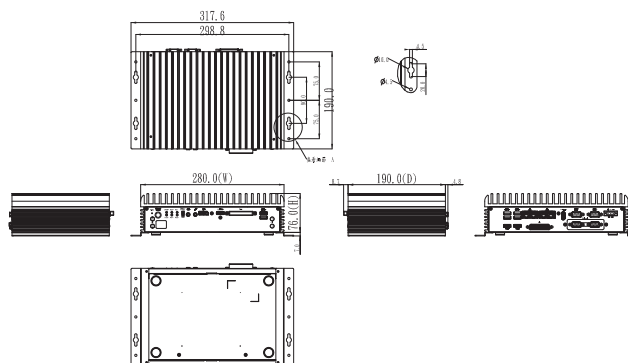
eBOX670-891-FL-DC-Flexible IO (P/N: E36K670105)	Fanless embedded system with LGA1151 socket 7th/6th gen Intel® Core™ i7/i5/i3 & Celeron® processor, Intel® Q170, 2 HDMI, DisplayPort, 4 GbE LAN, 8 USB, CFast™, dual PCI Express Mini Card slots and 9 to 36 VDC
---	--

### Optional

2.5" SATA HDD	64GB or above
2.5" SATA SSD	100GB or above
DDR4 SO-DIMM	2GB to 16GB
CFast™	64GB (W.T.) 3G/LTE module
8816K6701A0E	Wall mount kit
8816K6702A0E	DIN-rail kit
50906D24000E	24V 120W power adapter Power cord
E392903102	AX92903 CANbus PCI Express Mini module
E392902103	AX92902 LAN PCI Express Mini module
E392904102	AX92904 DIO PCI Express Mini module
E392905103	AX92905 Audio PCI Express Mini module
E392918103	AX92918 Dual LAN PCI express Mini module

\* Specifications and certifications may vary based on different requirements.

## Dimensions



## X-ON Electronics

Largest Supplier of Electrical and Electronic Components

*Click to view similar products for [Embedded Box Computers](#) category:*

*Click to view products by [Axiomtek](#) manufacturer:*

Other Similar products are found below :

[tBOX312-870-FL-i7-DC](#) [tBOX313-835-FL-RJ-DC](#) [UPOS-3150-R0W0E](#) [ARK-20-S8A1E](#) [R2224WTTYSR](#) [BXNUC9i5QNX](#)  
[BXNUC9i5QNX1](#) [BKNUC9V7QNX](#) [BKNUC9V7QNX1](#) [2-A0DF-2001](#) [BKCMB1ABB](#) [BKCMB1ABA](#) [EM3000-3845-8-128-WL-U-1](#)  
[TANK-870AI-i5/8G/2A-R10](#) [PRFE21000038](#) [EM5000-I3-8-128-WL-W7-1](#) [EM3000-3845-8-128-WL-W7-1](#) [PRFE21000039](#) [AMOS-825-](#)  
[1Q10A1](#) [UPS-EDAI-X70864-U01-DC01](#) [UPX-EDGEI7-A10-1664-F01](#) [MXE-211/M8G](#) [PXIe-3985/M16G](#) [PXIe-3987/M16G/SSD](#) [AIMB-](#)  
[T1215DA-00Y0E](#) [AIMB-T12315A-00Y0E](#) [AMAX-5580-54000A](#) [APAX-5580-474AE](#) [ARK-6322-Q0A2E](#) [DS-100GF-S8A1E](#) [DS-100GL-](#)  
[S8A1E](#) [EPC-R4680CQ-XAA1E](#) [ESRP-CSS-UNO2484](#) [ITA-1611-10A1E](#) [ITA-1711-10A1E](#) [MIC-710AI-00A1](#) [MIC-720AI-00A1](#) [UNO-247-](#)  
[J1N1AE](#) [UTX-3115FS-S6A2E](#) [AMI220AF-4L-7500](#) [ELIT-1200](#) [AIE100-903-FL](#) [EBOX671-517-FL-DC](#) [MVS900-511-FL](#) [AMS200](#) [SE-92-](#)  
[I7](#) [SI-606](#) [SI-60E](#) [TANK-760-HM86i-i5/4G-R10](#) [BKCM8i7CB8N](#)