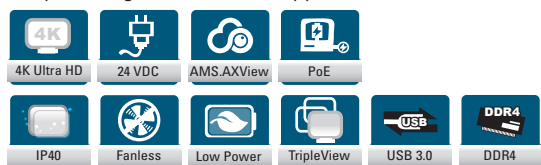


# eBOX671-517-FL

Fanless Embedded System with LGA1151 Socket 7th/6th Gen Intel® Core™ i7/i5/i3 & Celeron® Processor, Intel® Q170, HDMI, DVI-D, VGA, 8-CH PoE, 6 USB and 24 VDC

## Features

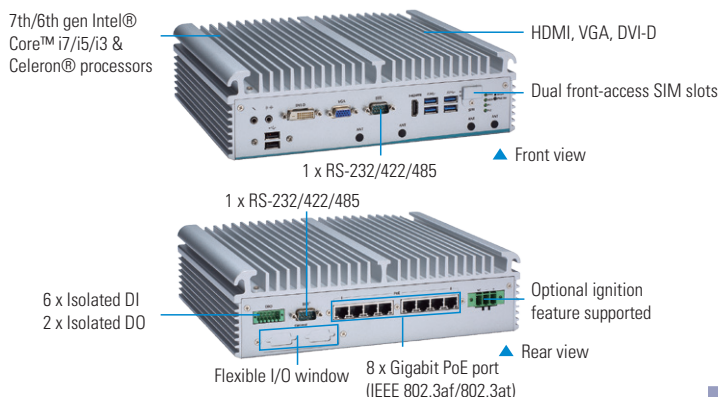
- 7th/6th gen Intel® Core™ i7/i5/i3 & Celeron® processors (35W/65W) and Intel® Q170
- 8-CH PoE onboard
- 2 front-access SIM slots
- Supports 6-in/2-out isolated DIO
- -40°C to +70°C extended operating temperature
- Optional ignition feature supported



## Specifications

Standard Color	Silver
Construction	Aluminum extrusion and heavy-duty steel, IP40
CPU	LGA1151 socket 7th/6th gen Intel® Core™ i7/i5/i3 & Celeron® processors (35W/65W)
System Memory	2 x 260-pin SO-DIMM DDR4-2133, up to 32GB
Chipset	Intel® Q170
BIOS	AMI UEFI BIOS
System I/O Outlet	2 x RS-232/422/485 1 x HDMI 1.4b, 1 x VGA, 1 x DVI-D 1 x Audio (Line-out & MIC-in) 8 x Gigabit PoE (IEEE 802.3af/802.3at) port (Intel® i211-AT, max. up to 90W) 4 x USB 3.0, 2 x USB 2.0 4 x SMA-type antenna connector 1 x Phoenix type VDC power input connector 1 x 6-in/2-out isolated DIO 1 x Power switch 1 x Reset switch 1 x Flexible I/O window (default: 2 x DB9 half cut bracket)
Watchdog Timer	255 levels, 1 to 255 sec.
Storage	2 x SATA HDD drive bay (max. up 15 mm height & RAID 0 & 1) 1 x mSATA (enabled in DIP switch setting)
Expansion Interface	2 x Full-size PCI Express Mini Card slot (USB + PCI Express signal) 1 x Half-size PCI Express Mini Card slot (mSATA + USB + PCI Express signal) 1 x Half-size PCI Express Mini Card (USB signal) 2 x External accessible SIM slot
TPM	N/A
System Indicator	1 x Green LED for system power-on 1 x Yellow LED for HDD active 2 x Programmable green LED
Power Input	24 VDC (ACC is disabled by default)
Operating Temperature	35W Tj=100°C CPU: -40°C to +70°C (-40°F to +158°F) with W.T. SSD 65W Tj=100°C CPU: -40°C to +55°C (-40°F to +131°F) with W.T. SSD 35W Tj=80°C CPU: -40°C to +50°C (-40°F to +122°F) with W.T. SSD
Humidity	10% - 90%, non-condensing
Shock	IEC 60068-2-27 (with SSD: 50G, half sine, 11 ms duration)
Vibration Endurance	IEC 60068-2-64 (with SSD: 3Grms STD, random, 5 - 500 Hz, 1 hr/axis)
Dimensions	280 mm (11.2") (W) x 210 mm (8.26") (D) x 79.6 mm (3.13") (H)
Weight (net/gross)	4.31 kg (9.5 lb)/5.1 kg (11.24 lb)
Certifications	CE, FCC Class A
EOS Support	Win 10 IoT, Linux
Software Support	AMS.AXView

\* W.T.: Wide Temperature. All W.T. supported products have to be sorted by Axiomtek.



## Packing List

- 1 x Terminal block connector
- 4 x Pre-installed foot pad

## Power Protection

### DC Version

- OVP (over voltage protection)
- UVP (under voltage protection)
- SCP (short current protection)

## Ordering Information

### Standard

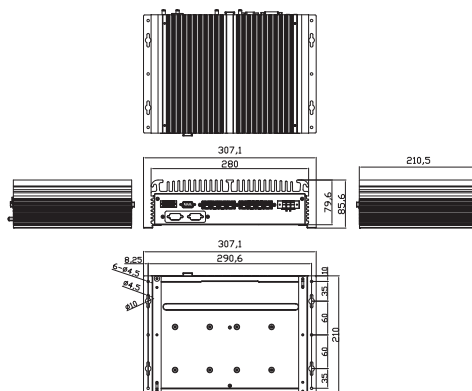
eBOX671-517-FL-DC (P/N: E36K671103)	Fanless embedded system with LGA1151 socket 7th/6th gen Intel® Core™ i7/i5/i3 & Celeron® processors, Intel® Q170, VGA, DVI-D, HDMI, 8-CH PoE, 6 USB and 24 VDC
-------------------------------------	--

### Optional

2.5" SATA HDD	80GB or above
2.5" SATA SSD	100GB or above
DDR4 SO-DIMM	4GB to 16GB
mSATA	64GB or above
8816K6718A0E	3G/LTE module
8816K671CA0E	Wall mount kit
50906D24000E	DIN-rail kit
	24V 120W power adapter
	Power cord
E392903102	AX92903 CANbus PCI Express Mini module
E392902103	AX92902 LAN PCI Express Mini module
E392906101	AX92906 COM PCI Express Mini module
E392904102	AX92904 DIO PCI Express Mini module
E392905103	AX92905 Audio PCI Express Mini module
E392918103	AX92918 Dual LAN PCI Express Mini module

\* Specifications and certifications may vary based on different requirements.

## Dimensions



## X-ON Electronics

Largest Supplier of Electrical and Electronic Components

*Click to view similar products for [Embedded Box Computers](#) category:*

*Click to view products by [Axiomtek](#) manufacturer:*

Other Similar products are found below :

[tBOX312-870-FL-i7-DC](#) [tBOX313-835-FL-RJ-DC](#) [UPOS-3150-R0W0E](#) [ARK-20-S8A1E](#) [R2224WTTYSR](#) [BXNUC9i5QNX](#)  
[BXNUC9i5QNX1](#) [BKNUC9V7QNX](#) [BKNUC9V7QNX1](#) [2-A0DF-2001](#) [BKCMB1ABB](#) [BKCMB1ABA](#) [EM3000-3845-8-128-WL-U-1](#)  
[TANK-870AI-i5/8G/2A-R10](#) [PRFE21000038](#) [EM5000-I3-8-128-WL-W7-1](#) [EM3000-3845-8-128-WL-W7-1](#) [PRFE21000039](#) [AMOS-825-](#)  
[1Q10A1](#) [UPS-EDAI-X70864-U01-DC01](#) [UPX-EDGEI7-A10-1664-F01](#) [MXE-211/M8G](#) [PXIe-3985/M16G](#) [PXIe-3987/M16G/SSD](#) [AIMB-](#)  
[T1215DA-00Y0E](#) [AIMB-T12315A-00Y0E](#) [AMAX-5580-54000A](#) [APAX-5580-474AE](#) [ARK-6322-Q0A2E](#) [DS-100GF-S8A1E](#) [DS-100GL-](#)  
[S8A1E](#) [EPC-R4680CQ-XAA1E](#) [ESRP-CSS-UNO2484](#) [ITA-1611-10A1E](#) [ITA-1711-10A1E](#) [MIC-720AI-00A1](#) [UNO-247-J1N1AE](#) [UTX-](#)  
[3115FS-S6A2E](#) [AMI220AF-4L-7500](#) [ELIT-1200](#) [AIE100-903-FL](#) [eBOX626-311-FL](#) [EBOX671-517-FL-DC](#) [MVS900-511-FL](#) [AMS200](#) [SE-](#)  
[92-I7](#) [SI-606](#) [SI-60E](#) [TANK-760-HM86i-i5/4G-R10](#) [BKCM8i7CB8N](#)