

eBOX800-841-FL

Rugged IP67-rated Fanless Embedded System with Intel® Atom® Processor E3845, VGA, 2 GbE LAN, 2 USB, 2 COM and 9 to 36 VDC

Features

- IP67-rating for outdoor use
- Intel® Atom® processor E3845 onboard
- 4 N-jack antenna openings with water proof design
- -30°C to +60°C operating temperature range
- 9 to 36 VDC wide range power input
- Features M12 lockable I/Os
- Trusted Platform Module 1.2 (TPM 1.2)



Specifications

Standard Color	Black
Construction	Aluminum die-casting and heavy-duty steel, IP67
CPU	Intel® Atom® processor E3845 1.91 GHz
System Memory	1 x 204-pin DDR3L-1066/1333 SO-DIMM, up to 8GB
Chipset	SoC integrated
BIOS	AMI
System I/O Outlet	2 x RS-232/422/485 (M12) 1 x VGA (M12) 2 x 10/100/1000 Mbps Ethernet (Intel® i210-IT, M12) 2 x USB 2.0 (M12) 1 x 9 to 36 VDC power input (M12) 1 x ATX power switch with indicator 4 x N-jack antenna opening with water proof design
Watchdog Timer	255 levels, 1 to 255 sec.
Storage	1 x 2.5" HDD drive bay (max. up 9.5 mm height) 1 x mSATA (enabled in BIOS setting) 1 x CFast™
Expansion Interface	1 x Full-size PCI Express Mini Card slot (USB + PCI Express signal) 1 x Half-size PCI Express Mini Card slot (USB + PCI Express signal) 1 x SIM slot
TPM	TPM 1.2
System Indicator	1 x Green LED for system power-on
Power Input	9 to 36 VDC
Operating Temperature	-30°C to +60°C (-22°F to +140°F) (with E3845, W.T. SSD/DRAM)
Humidity	10% - 95%, non-condensing
Vibration Endurance	3 Grms with SSD (5 to 500Hz, X, Y, Z directions)
Dimensions	210 mm (8.27") x 366.83 mm (14.44") x 83.8 mm (3.27")
Weight (net/gross)	4.31 kg (9.5 lb)/5.1 kg (11.24 lb)
Certifications	CE, FCC Class A
EOS Support	Win 10 IoT, WE8S, WE87, Linux

* W.T.: Wide Temperature. All W.T. supported products have to be sorted by Axiomtek.

Packing List

- 1 x Water-proof PWR cable (180 cm)
- 1 x Water-proof VGA cable (180 cm)
- 1 x Water-proof USB 2.0 cable (180 cm)

Power Protection

DC Version

- OVP (over voltage protection)
- OCP (over current protection)
- SCP (short circuit protection)



Ordering Information

Standard

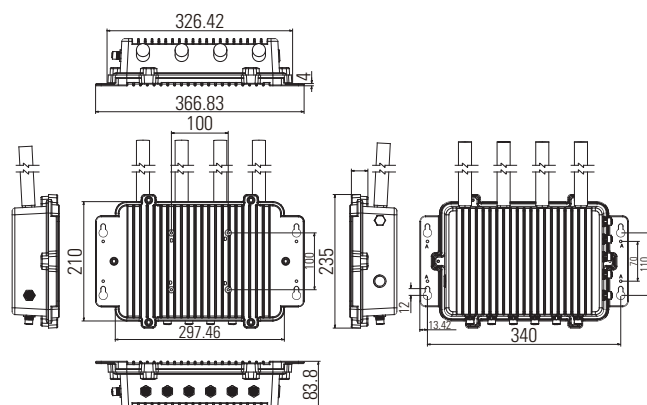
eBOX800-841-FL-DC	Rugged IP67-rated fanless embedded system with Intel® Atom® E3845 1.91 GHz, VGA, 2 GbE LAN, 2 USB, 2 COM and 9 to 36 VDC
-------------------	--------------------------------------------------------------------------------------------------------------------------

Optional

2.5" SATA HDD (W.T.)	80GB or above
2.5" SATA SSD (W.T.)	100GB or above
DDR3L SO-DIMM (W.T.)	2GB to 8GB
CFast™	64GB or above
mSATA	64GB or above
	3G/LTE module
594B8122100E	RS-232 serial cable, 180 cm
594B8152710E	LAN cable, 180 cm
50966224010E	24V 90W M12 power adapter

* Specifications and certifications may vary based on different requirements.

Dimensions



X-ON Electronics

Largest Supplier of Electrical and Electronic Components

Click to view similar products for [Embedded Box Computers](#) category:

Click to view products by [Axiomtek](#) manufacturer:

Other Similar products are found below :

[tBOX312-870-FL-i7-DC](#) [tBOX313-835-FL-RJ-DC](#) [UPOS-3150-R0W0E](#) [ARK-20-S8A1E](#) [R2224WTTYSR](#) [BXNUC9i5QNX](#)
[BXNUC9i5QNX1](#) [BKNUC9V7QNX](#) [BKNUC9V7QNX1](#) [2-A0DF-2001](#) [BKCMB1ABB](#) [BKCMB1ABA](#) [EM3000-3845-8-128-WL-U-1](#)
[TANK-870AI-i5/8G/2A-R10](#) [PRFE21000038](#) [EM5000-I3-8-128-WL-W7-1](#) [EM3000-3845-8-128-WL-W7-1](#) [PRFE21000039](#) [AMOS-825-](#)
[1Q10A1](#) [UPS-EDAI-X70864-U01-DC01](#) [UPX-EDGEI7-A10-1664-F01](#) [MXE-211/M8G](#) [PXIe-3985/M16G](#) [PXIe-3987/M16G/SSD](#) [AIMB-](#)
[T1215DA-00Y0E](#) [AIMB-T12315A-00Y0E](#) [AMAX-5580-54000A](#) [APAX-5580-474AE](#) [ARK-6322-Q0A2E](#) [DS-100GF-S8A1E](#) [DS-100GL-](#)
[S8A1E](#) [EPC-R4680CQ-XAA1E](#) [ESRP-CSS-UNO2484](#) [ITA-1611-10A1E](#) [ITA-1711-10A1E](#) [MIC-710AI-00A1](#) [MIC-720AI-00A1](#) [UNO-247-](#)
[J1N1AE](#) [UTX-3115FS-S6A2E](#) [AMI220AF-4L-7500](#) [ELIT-1200](#) [AIE100-903-FL](#) [EBOX671-517-FL-DC](#) [MVS900-511-FL](#) [AMS200](#) [SE-92-](#)
[I7](#) [SI-606](#) [SI-60E](#) [TANK-760-HM86i-i5/4G-R10](#) [BKCM8i7CB8N](#)