

# IPC922-212-FL

2-slot Fanless System with Intel® Atom™ Processor D525 (up to 1.8 GHz), Intel® ICH8M Chipset, PCIe & PCI Slots

Wall mount bracket supported



Phoenix plug for DC version

Din-jack (screw type) for AC version

## Features

- Intel® Atom™ processor D525 (up to 1.8 GHz)
- Fanless & ventilation-free
- Intel® ICH8M chipset
- Supports 2 expansion slots
- DC to DC power supply supports 18 ~ 28V
- Compact & front I/O design



▲ Rear view



## Specifications

Standard Color	Sliver
Construction	Aluminum extrusion heavy-duty cold-rolled steel
System Board	SHB212VGA
Processor	CPU Level Intel® Atom™ processor D525
System	Max. Speed 1.8 GHz
	Front Side Bus N/A
	Chipset Intel® ICH8M
System Memory	1 x 204-pin DDR3 800 SO-DIMM socket, up to 4 GB
I/O Interface (Front)	ATX power on/off switch 1 x remote power on/off switch 6 x USB 2.0 3 x RS-232 (COM 2/3/4) 1 x RS-232/422/485 (COM 1) 1 x 10/100/1000Mbps Ethernet 1 x VGA

Expansion Interface	HAB100: 1 PCIe x1 & 1 PCIe x4 HAB103: 1 PCI & 1 PCIe x4
Storage	1 x 2.5" SATA HDD 1 x onboard CompactFlash™ socket
System Indicators	1 x power on/off, 1 x HDD
Power Supply	DC ATX 120W: Input : 18~28VDC Output: +5V @ 6A, +3.3V @ 5A, +12V @ 5A, -12V @ 0.1A, 5Vsb @ 2.5A AC-DC power adapter: Input: 100~240VAC Output: +19V @ 4.74A
Operation Temperature	0°C ~ +45°C (32°F ~ 113°F)
Storage Temperature	-20°C ~ +80°C (-4°F ~ +176°F)
Humidity	10% ~ 90%, non-condensing
Dimensions	118 mm (4.6") (W) x 248 mm (9.8") (D) x 185 mm (7.3") (H)
Weight (net/gross)	4.22 kg (9.28 lb)/5.3 kg (11.68 lb)
Certification	CE

## Ordering Information

IPC922-212-FL-HAB103-AC (P/N: E26G922100)	2-slot fanless system with Intel® Atom™ Processor D525, PCI & PCIe slots, DC-in ATX 120W P/S and AC-DC 90W power adaptor and US power cord
IPC922-212-FL-HAB103-DC (P/N: E26G922101)	2-slot fanless system with Intel® Atom™ Processor D525, PCI & PCIe slots, DC-in ATX 120W P/S

\*Specifications and certifications are based on options and may vary.

## Power Protection

### AC Version

OVP (over voltage protection)  
 OCP (over current protection)  
 SCP (short circuit protection)

### DC Version

SCP (short circuit protection)  
 OVP (over voltage protection)  
 OLP (over load protection)

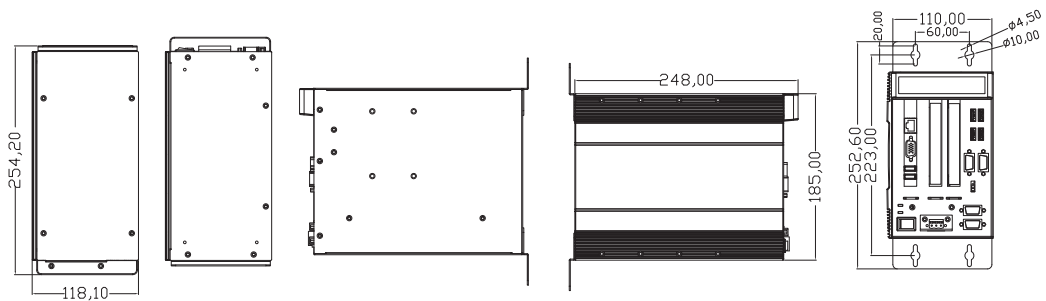
## Optional Items

AX93221-18/36: DVI card  
 40P-40P LVDS cable  
 DVI bracket for AX93221  
 2.5" SATA HDD: 250 GB, 320 GB, 500 GB  
 DDR3 SO-DIMM: 2 GB, 4 GB

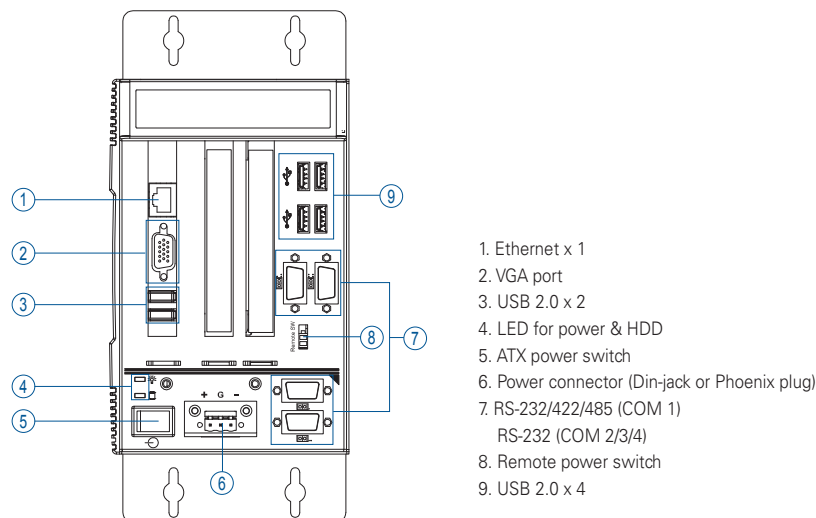
## Packing List

19V 90W adaptor and US power cord (for AC version)  
 Drive CD  
 Quick manual  
 Wall mount bracket x 2  
 Foot pad x 4  
 HDD bracket x 1  
 Screw pack x 1  
 Terminal Block x 1 (for DC version)  
 Remote power switch cable x 1

## Dimensions



## Front & Rear Metal Panel I/O Layout



## X-ON Electronics

Largest Supplier of Electrical and Electronic Components

*Click to view similar products for [Embedded Box Computers](#) category:*

*Click to view products by [Axiomtek](#) manufacturer:*

Other Similar products are found below :

[tBOX312-870-FL-i7-DC](#) [tBOX313-835-FL-RJ-DC](#) [UPOS-3150-R0W0E](#) [ARK-20-S8A1E](#) [R2224WTTYSR](#) [BXNUC9i5QNX](#)  
[BXNUC9i5QNX1](#) [BKNUC9V7QNX](#) [BKNUC9V7QNX1](#) [2-A0DF-2001](#) [BKCMB1ABB](#) [BKCMB1ABA](#) [EM3000-3845-8-128-WL-U-1](#)  
[TANK-870AI-i5/8G/2A-R10](#) [PRFE21000038](#) [EM5000-I3-8-128-WL-W7-1](#) [EM3000-3845-8-128-WL-W7-1](#) [PRFE21000039](#) [AMOS-825-](#)  
[1Q10A1](#) [UPS-EDAI-X70864-U01-DC01](#) [UPX-EDGEI7-A10-1664-F01](#) [MXE-211/M8G](#) [PXIe-3985/M16G](#) [PXIe-3987/M16G/SSD](#) [AIMB-](#)  
[T1215DA-00Y0E](#) [AIMB-T12315A-00Y0E](#) [AMAX-5580-54000A](#) [APAX-5580-474AE](#) [ARK-6322-Q0A2E](#) [DS-100GF-S8A1E](#) [DS-100GL-](#)  
[S8A1E](#) [EPC-R4680CQ-XAA1E](#) [ESRP-CSS-UNO2484](#) [ITA-1611-10A1E](#) [ITA-1711-10A1E](#) [MIC-710AI-00A1](#) [MIC-720AI-00A1](#) [UNO-247-](#)  
[J1N1AE](#) [UTX-3115FS-S6A2E](#) [AMI220AF-4L-7500](#) [ELIT-1200](#) [AIE100-903-FL](#) [EBOX671-517-FL-DC](#) [MVS900-511-FL](#) [AMS200](#) [SE-92-](#)  
[I7](#) [SI-606](#) [SI-60E](#) [TANK-760-HM86i-i5/4G-R10](#) [BKCM8i7CB8N](#)