

# NANO842

Nano-ITX SBC with Intel® Celeron® Processor J1900/N2807, LVDS/VGA/HDMI, Dual LANs and Audio

## Features

- Intel® Celeron® Processor J1900/N2807 (Bay Trail SoC)
- 1 DDR3L-1066/1333 SO-DIMM, up to 8GB
- 5 USB 2.0 ports and 1 USB 3.0 port
- 2 COM ports
- 2 PCI Express Mini Card slots

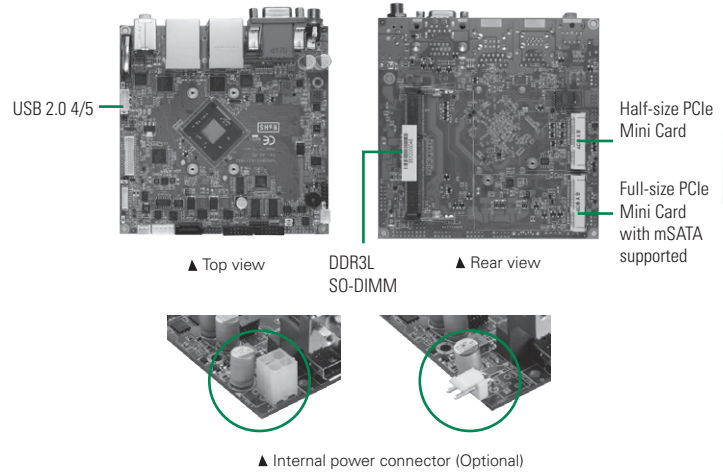
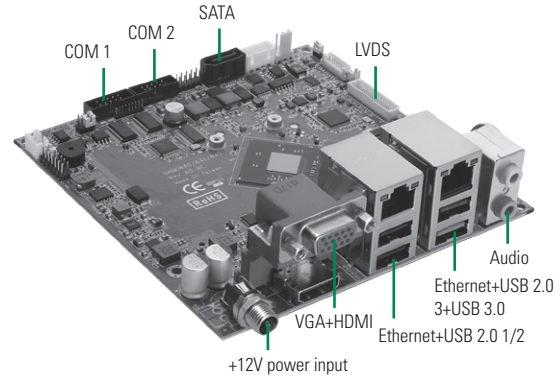


### Core System

CPU	Intel® Celeron® Processor J1900, N2807
System Memory	1 x 204-pin DDR3L-1066/1333 SO-DIMM, up to 8GB
Chipset	SoC integrated
BIOS	AMI
SSD	N/A
Watchdog Timer	255 levels, 1~255 sec.
Expansion Interface	1 x Full-size PCI Express Mini Card with mSATA 1 x Half-size PCI Express Mini Card
Battery Lithium	Lithium 3V/220mAh
Power Input	DC power jackconnector +12V DC-in AT Auto Power On function supported
Power Requirements	Intel® Celeron® J1900 @ 2 GHz 8GB DDR3L Max. RMS: +12V @0.9A Intel® Celeron® N2807 @ 1.58 GHz 8GB DDR3L Max. RMS: +12V @0.7A
Size	120 x 120 mm
Board Thickness	1.6 mm
Temperature	-20°C ~ +70°C (-4°F ~ 158°F), operation
Relative Humidity	10% ~ 95% relative humidity, non-condensing

### I/O

MIO	1 x RS-232/422/485 (+5V/+12V powered) 1 x RS-232
SATA	1 x SATA-300
Hardware Monitoring	Detect CPU/system temperature and voltage
Ethernet	2 ports 10/100/1000 Mbps supports Wake-on-LAN, PXE Boot ROM with Intel® i211AT
Audio	HD Codec audio as MIC-in/Line-out with Realtek ALC662
USB	5 x USB 2.0 1 x USB 3.0
SMBus	System Management Bus for advanced monitoring/control
Digital I/O	8 channels IN/OUT programmed
TPM	ST ST33TPM12LPC with TPM 1.2 compliant



### Display

Chipset	Intel® integrated Gfx graphic engine
Memory Size	Share System memory
Display Interface	1 x VGA 1 x LVDS; 18/24-bit single/dual channel 1 x HDMI

### Packing List

Standard		
Quick installation guide, User's Manual/Utility CD and cable		
Cable		
Part Number	Description	Qty
59382620000E	1 x COM cable w/ bracket, P=2.0 mm L=300 mm	1
Optional		
50966124030E	ADAPTER 12V60W FSP060-DIBAN2 W/SCREW	

### Ordering Information

Standard	
NANO842VHGG-A-J1900 (P/N: E38K842100)	Nano-ITX SBC with Intel® Celeron® processor J1900 (2 GHz-2.4 GHz, 2 MB Cache, 10W), VGA/LVDS/HDMI, 2 GbE LANs, and audio
NANO842VHGG-A-N2807 (P/N: E38K842101)	Nano-ITX SBC with Intel® Celeron® processor N2807 (1.58 GHz-2.16 GHz, 1 MB Cache, 4.3W), VGA/LVDS/HDMI, 2 GbE LANs, and audio



## X-ON Electronics

Largest Supplier of Electrical and Electronic Components

*Click to view similar products for [Single Board Computers](#) category:*

*Click to view products by [Axiomtek](#) manufacturer:*

Other Similar products are found below :

[MANO882VPGGA-H81](#) [SSD3200W-S-SLC-INN 20-101-0738](#) [MVME61006E-2173R](#) [SHB230DGGA-RC](#) [IMB210VGGA](#) [IB915F-3955](#)  
[MI958F-16C](#) [S2600WFT](#) [S2600STB](#) [BBS2600BPS](#) [BLKNUC7I3DNHNC1978015](#) [DEV-17745](#) [BEAGLEBOARD POCKET](#) [MICROSOM](#)  
[I2 + WIFI/BT](#) [HUMMINGBOARD-I2EX](#) [BASE + WIFI/BT](#) [HUMMINGBOARD-I4 PRO + WIFI/BT](#) [VAB-600-B](#) [RT5350F-OLINUXINO-](#)  
[EVB](#) [MITX-440-DVI-2E](#) [ATCA-7365-D-24GB](#) [NITX-315-DEVKIT](#) [A13-SOM-512](#) [NITX-315](#) [BANANA PI BPI-M1+](#) [A13-SOM-WIFI-](#)  
[4GB](#) [AM3359-SOM-EVB-IND](#) [UPS-APLC2-A10-0432](#) [DFR0419](#) [UPS-APLP4-A10-0864](#) [UPS-APLP4-A10-0432](#) [UPS-APLP4-A10-08128](#)  
[MI977F-Q27](#) [BBBLUE](#) [IB811F-I30](#) [DFR0470-ENT](#) [Nit6Q\\_i](#) [M2M \(TELIT\)](#) [RELAY](#) [PROFESSIONAL](#) [GCS22.2.080.2.2.I](#)  
[GCS22.8.100.4.2.I](#) [GLS11.2.053.2.2.E](#) [A20-OLINUXINO-LIME-E16GS16M](#) [A20-OLINUXINO-LIME-S16M](#) [A20-OLINUXINO-LIME2-](#)  
[E16GS16M](#) [A20-OLINUXINO-MICRO-E16GS16M](#) [A20-OLINUXINO-MICRO-S16M](#) [BANANA PI BPI-W2](#) [T2-OLINUXINO-LIME2-](#)  
[S16M-IND](#)