

OPS300-310

Open Pluggable Specification (OPS) Digital Signage Player with Intel® Celeron® Processor N3350 and TPM 2.0

Features

- Intel® Open Pluggable Specification (OPS) compliance
- Built-in Intel® Celeron® processor N3350 (fanless)
- DisplayPort & HDMI 2.0 for 4K @ 60Hz resolution
- Supports Trusted Platform Module (TPM) 2.0
- VGA for external display
- Easy installation and maintenance

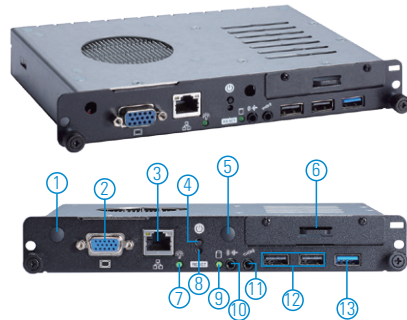


Specifications

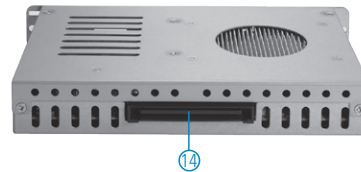
CPU	Intel® Celeron® processor N3350, up to 2.4 GHz (Apollo Lake)
Chipset	SoC integrated
System Memory	1 x 204-pin DDR3L-1600 SO-DIMM, up to 8GB
Storage	1 x 2.5" SATA HDD tray 1 x mSATA (optional)
BIOS	AMI UEFI BIOS
Watchdog Timer	255 levels, 1 to 255 sec.
TPM	TPM 2.0
Intel® AMT	N/A
I/O	1 x USB 3.0 2 x USB 2.0 1 x 10/100/1000 Mbps Ethernet (RTL8111E) 1 x VGA 1 x Power on/off button 1 x Reset button 1 x Audio (Line-out & Mic-in)
JAE TX-25A	1 x DisplayPort with 4K 60Hz supported 1 x HDMI 2.0 with 4K 60Hz supported 2 x USB 2.0 1 x USB 3.0 1 x Audio (Line-out/Mic-in) 1 x UART (TX/RX)
HRS FX-18	N/A
Indicator	1 x LED for system power on 1 x LED for HDD active
Expansion Interface	1 x Full-size PCI Express Mini Card slot 1 x M.2 2230 KEY E for Wi-Fi Kit 1 x SIM slot
Dimensions	200 mm (7.87") (W) x 119 mm (4.68") x 30 mm (1.18")
Packing Dimensions	270 mm (10.63") (W) x 197 mm (7.76") x 70 mm (2.76")
Weight (net/gross)	1 kg (2.21 lb)/1.5 kg (3.31 lb)
Operating Temperature	0°C to +45°C (+32°F to +113°F) (with airflow 0.7 m/s)
Certifications	CE, FCC Class A

Packing List

- 1 x HDD mylar
- 1 x Thermal pad
- 2 x M3 x4 screw
- 2 x M4 x6 screw



- | | | |
|---------------------|----------------------|--------------------|
| 1. Optional antenna | 6. 2.5" SATA HDD | 11. Audio (Mic-in) |
| 2. VGA | 7. Power indicator | 12. USB 2.0 |
| 3. LAN | 8. Reset button | 13. USB 3.0 |
| 4. Power button | 9. Storage indicator | 14. JAE TX-25A |
| 5. Optional antenna | 10. Audio (Line-out) | |



Optional OS Installation

Windows® 10 64-bit

Ordering Information

Standard

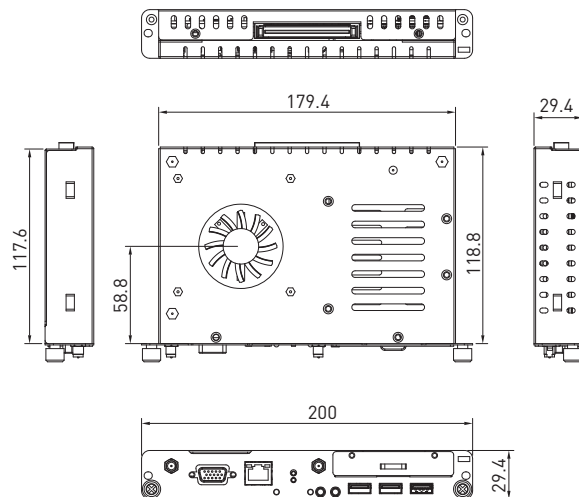
OPS300-310 OPS digital signage player with Intel® Celeron® processor N3350 and TPM 2.0

Optional

AX93167 OPS docking board with 4K resolution
AX93190 OPS docking board with 4K @ 60Hz resolutions
WLAN/WWAN Kit Wi-Fi module and antenna

* Specifications and certifications may vary based on different requirements.

Dimensions



X-ON Electronics

Largest Supplier of Electrical and Electronic Components

Click to view similar products for [Embedded Box Computers](#) category:

Click to view products by [Axiomtek](#) manufacturer:

Other Similar products are found below :

[tBOX312-870-FL-i7-DC](#) [tBOX313-835-FL-RJ-DC](#) [UPOS-3150-R0W0E](#) [ARK-20-S8A1E](#) [R2224WTTYSR](#) [BXNUC9i5QNX](#)
[BXNUC9i5QNX1](#) [BKNUC9V7QNX](#) [BKNUC9V7QNX1](#) [2-A0DF-2001](#) [BKCMB1ABB](#) [BKCMB1ABA](#) [EM3000-3845-8-128-WL-U-1](#)
[TANK-870AI-i5/8G/2A-R10](#) [PRFE21000038](#) [EM5000-I3-8-128-WL-W7-1](#) [EM3000-3845-8-128-WL-W7-1](#) [PRFE21000039](#) [AMOS-825-](#)
[1Q10A1](#) [UPS-EDAI-X70864-U01-DC01](#) [UPX-EDGEI7-A10-1664-F01](#) [MXE-211/M8G](#) [PXIe-3985/M16G](#) [PXIe-3987/M16G/SSD](#) [AIMB-](#)
[T1215DA-00Y0E](#) [AIMB-T1217DW-00Y0E](#) [AIMB-T12315A-00Y0E](#) [AMAX-5580-54000A](#) [APAX-5580-474AE](#) [ARK-6322-Q0A2E](#) [DS-](#)
[100GF-S8A1E](#) [DS-100GL-S8A1E](#) [EPC-R4680CQ-XAA1E](#) [ESRP-CSS-UNO2484](#) [ITA-1611-10A1E](#) [ITA-1711-10A1E](#) [MIC-710AI-00A1](#)
[MIC-720AI-00A1](#) [UNO-247-J1N1AE](#) [UTX-3115FS-S6A2E](#) [AMI220AF-4L-7500](#) [ELIT-1200](#) [AIE100-903-FL](#) [EBOX671-517-FL-DC](#)
[MVS900-511-FL](#) [AMS200](#) [SE-92-I7](#) [SI-606](#) [SI-60E](#) [TANK-760-HM86i-i5/4G-R10](#)