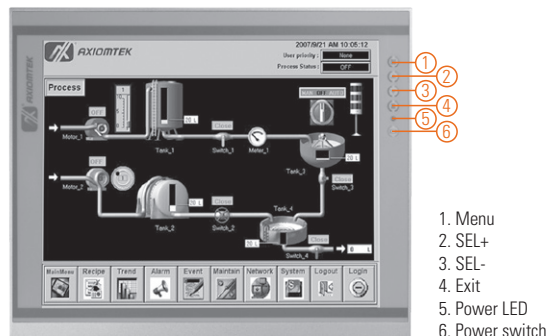


P6151-V3 NEW

15" XGA TFT Industrial LCD Monitor

Features

- 15" XGA TFT 420 nits LCD
- Resistive touch
- NEMA 4/12 (IP65) compliant front bezel
- Full range screw-type (locked) AC-in or 24 VDC in (optional)
- HDMI, DP and VGA with multi-signal inputs
- Supports panel mount, wall mount and VESA mount
- Built-in speakers



▲ Ultra-slim mechanism design

Introduction

The P6151-V3 is an ultra slim industrial LCD monitor, which adopts 15-inch 420 nits XGA LED backlight LCD display and supports multi-signal interfaces including DP, VGA and HDMI. Featuring, screw-type adaptor plug design, and 12V/24V DC-in means it is fit for all kinds of industrial environments. With the compact mechanism design, users can enjoy free from space constraint. It is especially suitable for POI/POS, excellent HMI and all kinds of heavy-duty industrial fields.

Specifications

Front Bezel	NEMA 4/12 (IP65)-compliant, metal front bezel
Mounting	Panel mount, wall mount or VESA arm FPMPLM mounting (video electronics standards association Flat Panel monitor physical mounting interface)
LCD Panel	Display 15" XGA TFT LCD Max. Resolution 1024 x 768 Max. Colors 16.2M Active Area (mm) 304.128 x 228.096 Pixel Pitch (mm) 0.297 x 0.297 Response Time 16ms Backlight LED backlight Backlight MTBF 30,000 hrs Viewing Angle (H/V) 160°/160° Contrast Ratio 800 (TYP.) Brightness (cd/m ²) 420 nits
Display Control	OSD (on screen display)
Input Signal	DP VGA HDMI Touchscreen: USB interface

Specifications

I/O Connectors	1 x USB for touchscreen version 1 x Audio (Line-in) 1 x VGA 1 x DP 1 x HDMI 1 x Power input with screw type connector (AC version) 1 x Power input with terminal block (DC version)
Audio	2 x Speaker
Power Supply	AC version: 100 - 240 VAC-DC, 12V3A, 36W power adapter DC version: 24 VDC
Power Consumption	14W
Touchscreen	5-wire resistive touch
Dimensions	377.9 mm (14.88") (W) x 58 mm (2.28") (D) x 309.3 mm (12.18") (H)
Packing Dimensions	520 mm (20.47") (W) x 196 mm (7.71") (D) x 547 mm (21.53") (H)
Weight (net/gross)	3.7 kg (8.15 lb)/5.9 kg (13 lb)
Environment	Operating temperature: 0°C to +50°C (+32°F to +122°F) Relative humidity: 10% to 90% @ +40°C, non-condensing
Packing List	1 x P6151-V3 unit 1 x VGA cable 1 x USB cable for touch 1 x Audio cable 1 x Adapter (AC Version) 1 x 3-pin Terminal block (DC version only)
Certificate	CE

Ordering Information

P6151PR-AC-U-V3 (P/N: E226151116)	15" industrial monitor with resistive touch screen (USB interface), AC version
P6151PR-DC-U-V3 (P/N: E226151118)	15" industrial monitor with resistive touch screen (USB interface), DC version

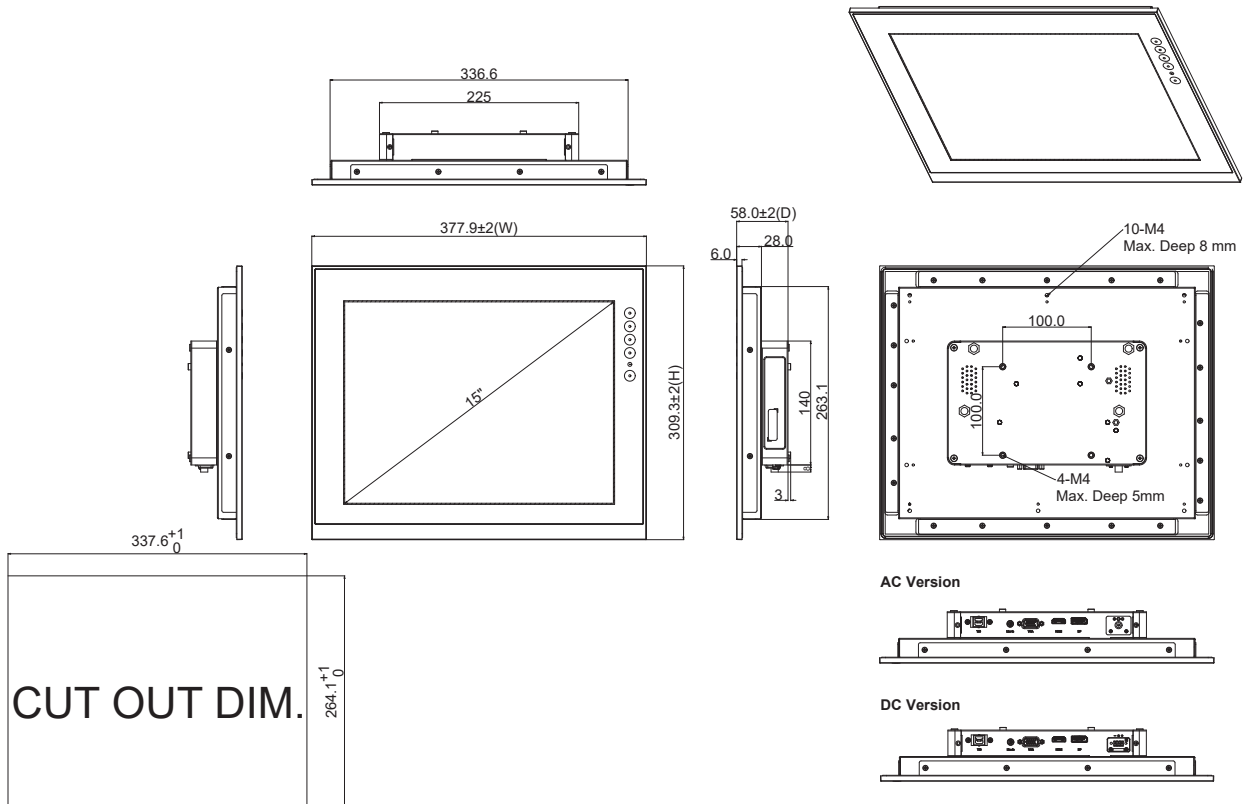
* Other configuration by request

* Specification and certifications may vary based on different requirements

Optional Accessories

59902000030E	US 1.8M power cord
59904000050E	UK 1.83M power cord
59903000080E	EU 1.83M power cord
5946L203800E	HDMI cable
59461713910E	DP cable
881261510A0E	Panel mount kit
881231770A0E	Wall mount kit
E226171119	Desktop stand

Dimensions



X-ON Electronics

Largest Supplier of Electrical and Electronic Components

Click to view similar products for [Display Modules](#) category:

Click to view products by [Axiomtek](#) manufacturer:

Other Similar products are found below :

[P6153-PR](#) [TDP0700T800480PCAP](#) [P6171DPR-DC-RS](#) [P6171DPR-DC-U](#) [MIKROMEDIA 4 FOR STM32F4 CAPACITIVE FPI](#)
[MIKROMEDIA 3 FOR STM32F4 CAPACITIVE FPI](#) [TN0216ANVNANN-GN00](#) [TN0104ANVAANN-GN00](#) [TN0181ANVNANN-GN00](#)
[MIKROMEDIA 5 FOR TIVA CAPACITIVE](#) [MIKROMEDIA 4 FOR TIVA CAPACITIVE](#) [MIKROMEDIA 4 FOR PIC32MZ CAPACITIVE](#)
[RVT43ULFNWC03 V4](#) [SM-RVT101HVBFWCA0](#) [SM-RVT101HVBNWCA0](#) [SM-RVT35HHBFWCA0](#) [SM-RVT35HHBNWCA0](#) [SM-](#)
[RVT43HLBFWCA0](#) [SM-RVT43HLBNWCA0](#) [SM-RVT50HQBNWCA0](#) [SM-RVT70HSBFWCA0](#) [SM-RVT70HSBNWCA0](#) [PIM579](#)
[1215686](#) [PIM543](#) [DFR0678](#) [P6191PR-DC-U-V3](#) [11769](#) [MIKROMEDIA FOR DSPIC33](#) [MIKROMEDIA FOR PIC24](#) [MIKROMEDIA FOR](#)
[PIC32](#) [MIKROMEDIA FOR STELLARIS M3](#) [MIKROMEDIA HMI 3.5 RES](#) [MIKROMEDIA HMI 5](#) [MIKROMEDIA PLUS FOR FT90X](#)
[MIKROMEDIA PLUS FOR PIC32MX7 SHIELD](#) [MIKROMEDIA PROTO SHIELD](#) [14628](#) [MIKROMEDIA 5 FOR TIVA](#) [MIKROMEDIA 5](#)
[FOR TIVA SHIELD](#) [MIKROMEDIA 7 FOR STM32F4](#) [MIKROMEDIA CONNECT SHIELD](#) [MIKROMEDIA FOR ARM](#) [MIKROMEDIA](#)
[FOR PSOC5LP](#) [MIKROMEDIA GAMING SHIELD](#) [MIKROMEDIA HMI 4.3 UXB](#) [MIKROMEDIA HMI 5 RES](#) [MIKROMEDIA HMI 5](#)
[UXB](#) [MIKROMEDIA HMI 7](#) [MIKROMEDIA HMI BREAKOUT BOARD](#)