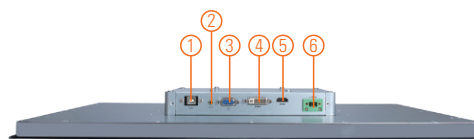
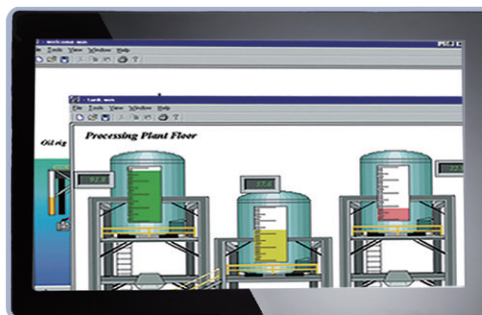
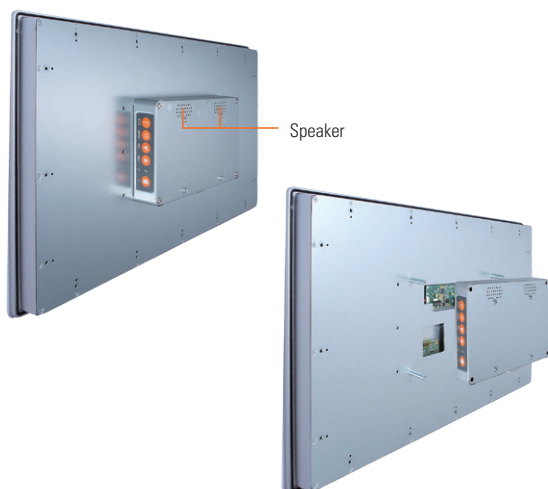


# P6187W-V2

18.5" WXGA TFT Widescreen Industrial LCD Monitor

## Features

- 18.5" WXGA TFT 450 nits LCD with projected capacitive touch or resistive touch
- NEMA 4/12 (IP65) compliant flat panel monitor
- Supports panel mount, wall mount and VESA mount
- Full range screw-type (locked) AC-in or 24V DC-in (optional)
- VGA, HDMI and DVI with multi-signal inputs



1. USB for touch
2. Audio (Line in)
3. VGA
4. DVI-D
5. HDMI
6. Power input Terminal block or Screw type

## Introduction

The P6187W-V2 is a slim-type industrial LCD monitor with flat front bezel design, which adopts 18.5-inch 300 nits full HD LCD display and supports multi-signal interfaces including DVI, VGA and HDMI. Featuring IP65 (NEMA 4)-rated front bezel, screw-type adaptor plug design, and 12/24V DC-in, the 18.5-inch P6187W-V2 is designed to fit for all kinds of industrial environments. Moreover, the P6187W-V2 supports panel mount, wall mount or VESA FPMPMI (Video Electronics Standards Association Flat Panel Monitor Physical Mounting Interface) mounting. With the compact mechanism design, the P6187W-V2 can be deployed easily in any space-limited place. It is especially suitable for POI/POS, HMI and all kinds of heavy-duty industrial fields.

## Specifications

Front Bezel	NEMA 4/12 (IP65)-compliant, flat front bezel	
Mounting	Panel mount, wall mount and VESA arm FPMPMI mounting (video electronics standards association Flat Panel monitor physical mounting interface)	
LCD Panel	Display	18.5" WXGA TFT LCD
	Max. Resolution	1366 x 768
	Max. Colors	16.7 M
	Active Area (mm)	409.8 x 230.4
	Pixel Pitch (mm)	0.3 x 0.3
	Response Time	5 ms
	Backlight	LED
	Backlight MTBF	50,000 hrs
	Viewing Angle (H/V)	170°/160°
	Contrast Ratio	1000 (TYP.)
Brightness (cd/m <sup>2</sup> )	450 nits	
Display Control	OSD (on screen display)	
Display Mode	VGA 640 x 350 (70 Hz), VGA 640 x 480 (60/72/75 Hz), VGA 720 x 400 (70 Hz), SVGA 800 x 600 (60/72/75 Hz), XGA 1024 x 768 (60/72/75 Hz), WXGA 1366 x 768 (60 Hz)	
Input Signal	VGA HDMI DVI (only for DVI-D) Touchscreen: USB interface	

## Specifications

I/O Connectors	1 x RS-232 or USB for touchscreen version 1 x Audio (Line-in) 1 x VGA 1 x DVI-D 1 x HDMI 1 x DVI 1 x Power input with Terminal block(DC Version) or Screw type connector(AC version)
Audio	2 x Speaker
Power Adapter	Screw-type external AC/DC power adapter
Power Consumption	16W
Touchscreen	Projected capacitive multi-touch 5-wire flat resistive touch
Dimensions	460 mm(18.11") (W) x 285 mm (11.22") (D) x 58.45 mm (2.30") (H)
Packing Dimensions	575 mm (22.63") (W) x 170 mm (6.69") (D) x 460 mm (18.11") (H)
Weight (net/gross)	4.83 kg (10.63 lb)/6.33 kg (13.93 lb)
Operating Temperature	0°C to +50°C (+32°F to +122°F)
Relative Humidity	20% to 90% @ +40°C, non-condensing
Certifications	CE

## Packing List

- 1 x P6187W-V2 unit
- 1 x VGA cable
- 1 x USB cable (for resistive touch/capacitive touch version only)
- 1 x Audio cable
- 1 x Adapter (AC version only)
- 1 x Power cord (AC version only)
- 1 x 3-pin Terminal block (DC version only)

## Ordering Information

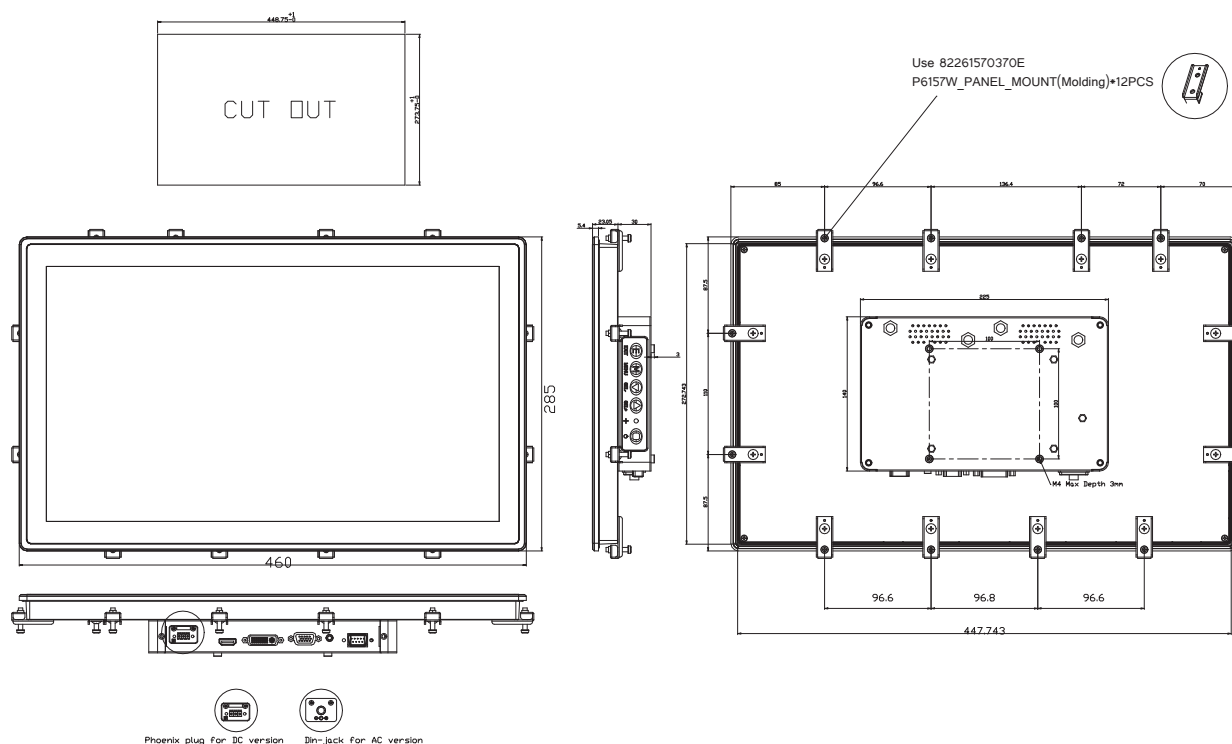
P6187W-V2	
P6187WPC-AC-U-US-EU-V2 (P/N: E226187104)	18.5" Industrial Monitor with Capacitive Touch Screen, AC Version
P6187WPC-24VDC-U-V2 (P/N: E226187106)	18.5" Industrial Monitor with Capacitive Touch Screen, 24VDC Version
P6187WPG-24VDC-V2 (P/N: E226187107)	18.5" Industrial Monitor without touch, 24VDC Version
P6187WPR-AC-U-US-EU-V2 (P/N: E226187110)	18.5" Industrial Monitor with Resistive Touch Screen, AC Version
P6187WPR-24VDC-U-V2 (P/N: E226187109)	18.5" Industrial Monitor with Resistive Touch Screen, 24VDC Version

\* Other configuration by request  
\* Specification and certifications may vary based on different requirements

## Optional Accessories

5946L203800E	HDMI cable
59461713400E	DVI-D cable
881261870A0E	Panel mount kit
881231770A0E	Wall mount kit
E221177116	Desktop stand for 15.6" to 21.5"

## Dimensions



## X-ON Electronics

Largest Supplier of Electrical and Electronic Components

*Click to view similar products for [Display Modules](#) category:*

*Click to view products by [Axiomtek](#) manufacturer:*

Other Similar products are found below :

[P6153-PR](#) [TDP0700T800480PCAP](#) [P6171DPR-DC-RS](#) [P6171DPR-DC-U](#) [MIKROMEDIA 4 FOR STM32F4 CAPACITIVE FPI](#)  
[MIKROMEDIA 3 FOR STM32F4 CAPACITIVE FPI](#) [TN0216ANVNANN-GN00](#) [TN0104ANVAANN-GN00](#) [TN0181ANVNANN-GN00](#)  
[MIKROMEDIA 5 FOR TIVA CAPACITIVE](#) [MIKROMEDIA 4 FOR TIVA CAPACITIVE](#) [RVT43ULFNWC03 V4](#) [SM-](#)  
[RVT101HVBFWCA0](#) [SM-RVT101HVBWNWCA0](#) [SM-RVT35HHBFWCA0](#) [SM-RVT35HHBNWCA0](#) [SM-RVT43HLBFWCA0](#) [SM-](#)  
[RVT43HLBNWCA0](#) [SM-RVT50HQBNWCA0](#) [SM-RVT70HSBFWCA0](#) [SM-RVT70HSBNWCA0](#) [PIM579](#) [1215686](#) [PIM543](#) [DFR0678](#)  
[P6191PR-DC-U-V3](#) [16381](#) [17916](#) [18205](#) [21229](#) [18625](#) [12885](#) [19885](#) [11769](#) [MIKROMEDIA FOR DSPIC33](#) [MIKROMEDIA FOR PIC24](#)  
[MIKROMEDIA FOR PIC32](#) [MIKROMEDIA FOR STELLARIS M3](#) [MIKROMEDIA HMI 3.5 RES](#) [MIKROMEDIA HMI 5](#) [MIKROMEDIA](#)  
[PLUS FOR FT90X](#) [MIKROMEDIA PLUS FOR PIC32MX7 SHIELD](#) [MIKROMEDIA PROTO SHIELD](#) [14628](#) [MIKROMEDIA 5 FOR TIVA](#)  
[MIKROMEDIA 5 FOR TIVA SHIELD](#) [MIKROMEDIA 7 FOR STM32F4](#) [MIKROMEDIA CONNECT SHIELD](#) [MIKROMEDIA FOR ARM](#)  
[MIKROMEDIA FOR PSOC5LP](#)