

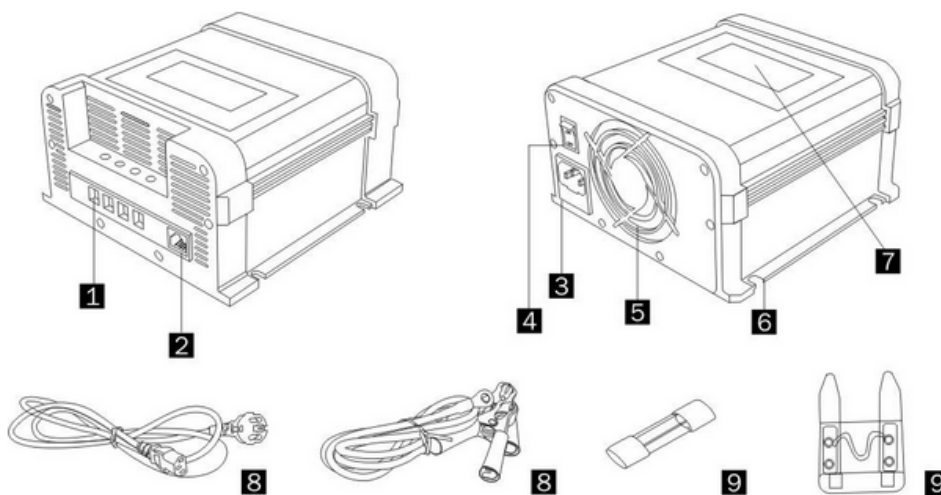
# BATTERY CHARGER BC-20 PRO

## 20A (230V/12V) 7 - STAGE



Input voltage range:	190÷265VAC
Bulk/Absorption charging:	14.2 / 14.6 / 14.8 VDC
Floating charging:	13.2 / 13.5 / 13.8 VDC
Power supply mode:	13.2 / 13.4 / 13.8 VDC
Maximum power:	300W
Maximum charging current:	20A
Recommended battery capacity:	25-200Ah
Supply fuse:	3A
Charging fuse:	25A
Shortcut protection:	YES
Thermal protection:	80°C
Overvoltage protection:	YES
Reverse polarity protection:	YES
Operating temperature:	0°C ~ +40°C
Efficiency:	> 88%
Cooling:	Active (load dependent)
Supply socket:	Cable with 230VAC plug
Ground terminal:	YES
Case:	Aluminium
Protection:	IP21
Dimensions [mm]:	175x170x95
Weight [kg]:	1.27
Product code:	5903332566136

### Charger set



(1) Charging terminals, (2) Remote control terminal (optional), (3) Supply socket, (4) Main switch, (5) Fan, (6) Mounting holes, (7) LCD, (8) Cables, (9) Fuses

[www.powerinverters.pl](http://www.powerinverters.pl)



**PROGRAM REGIONALNY**  
 NARODOWA STRATEGIA SPÓJNOŚCI



Projekt współfinansowany przez Unię Europejską z Europejskiego Funduszu Rozwoju Regionalnego oraz z budżetu państwa.



## X-ON Electronics

Largest Supplier of Electrical and Electronic Components

*Click to view similar products for [Adapters category](#):*

*Click to view products by [Azo Digital manufacturer](#):*

Other Similar products are found below :

[PD45II POLOLU MICROSD ADAPTER](#) [GROVE CAPE FOR BEAGLEBONE](#) [GROVE BREAKOUT FOR LINKIT SMART 7688 DUO](#)  
[RBFN-EU-SEN-BMT-12](#) [11293](#) [9127](#) [9546](#) [9755](#) [9983](#) [OKY1201](#) [OKY1204](#) [I2C HUB](#) [DUAL MAX14870 MOTOR DRIVER SHIELD](#)  
[6PRMOBI06S](#) [6PRO122420](#) [AB-12.100/ST8VA](#) [BC-20 PRO 20A 12V](#) [BC4](#) [BQ-CC65](#) [CABLE-1/CL](#) [CABLE-2/CL](#) [CABLE-3/CL](#)  
[CL12.6VDC-1.5A](#) [CL12.6VDC-2.5A](#) [CL12.6VDC-4.76A](#) [CL8.4VDC-1.2A](#) [CL8.4VDC-2.5A](#) [CL8.4VDC-5A](#) [EP12M248L](#) [EPA1020-075](#)  
[EPA1206PRO](#) [GM3A](#) [GP 2XP861 + 8X2100 RECYKO DOK](#) [GP E411 + 4 X R6 2100 RECYKO](#) [GP ECO B421 + 4XAA RECYKO 2100](#)  
[GP ECO B421 + 4XAA RECYKO 2100 + D451](#) [GP ECO B421 + 4XAA RECYKO 2700](#) [GP ECO E211 + 2XAA RECYKO 2100](#) [GP ECO](#)  
[M451 + 4XAA RECYKO 2700](#) [GP P461 + 4 X 2100 RECYKO DOK](#) [GP PRO P461 + 4XAA RECYKO 2100](#) [LIFEPO4-12.8V-5A](#) [LIFEPO4-](#)  
[38.4-5A](#) [LI-ION-11.1V-5A](#) [LI-ION-14.8V-10A](#) [LI-ION-14.8V-5A](#) [LI-ION-14.8V-8A](#) [LI-ION-25.9V-2A](#) [LI-ION-37V-4A](#)