
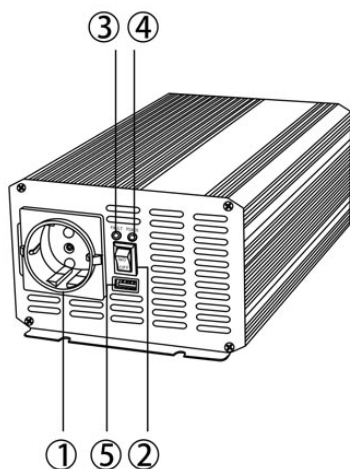


# DC / AC INVERTER IPS-2000S

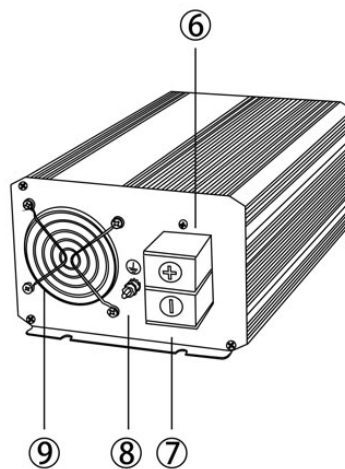
## 12VDC / 230VAC 2000W PURE SINE WAVE

	<p>Input voltage: 11÷15VDC          Output voltage : 230VAC          Maximum Power: 2000VA          Continuous Power: 1000VA          Output voltage type: PURE SINE WAVE          Overload protection : YES          Short-current protection: YES          Thermal protection: YES          Soft START: YES          Input overvoltage protection : 15VDC          Battery discharge warning: YES          Operating temperature range: 0 ~ +40 °C          Efficiency: &gt; 92 %          Cooling type: Active          Connectors: Screw Connector M6          Output socket type: French x 1          Housing type: Aluminium          IP protection: IP21          Dimensions LxBxH [mm]: 293x150x98          Weight: 3.1          Product code: 5905279203839</p>
---	--

### Technical details



- 1 - 230V output socket
- 2 - Main switch
- 3 - LED indicator (Fault)
- 4 - LED indicator (Power)
- 5 - USB charging port



- 6 - Input voltage socket 12V (+)
- 7 - Input voltage socket 12V (-)
- 8 - Ground pin
- 9 - Fan

[www.powerinverters.pl](http://www.powerinverters.pl)

Updated 17-02-2021



**PROGRAM REGIONALNY**  
 NARODOWA STRATEGIA SPÓJNOŚCI



Projekt współfinansowany przez Unię Europejską z Europejskiego Funduszu Rozwoju Regionalnego oraz z budżetu państwa.



## **X-ON Electronics**

Largest Supplier of Electrical and Electronic Components

*Click to view similar products for [Azo Digital manufacturer](#):*

Other Similar products are found below :

[MPPT 30A 12V/24V LCD](#) [PE-35](#) [PS-250](#) [IPS-5000S 24V/230V ECO MODE](#) [IPS-400 12VDC-230VAC 400W](#) [IPS-400 24VDC-230VAC 400W](#) [PU-250-12-48](#) [MPPT 20A 12V/24V LCD](#) [PE-45](#) [IPS-1000S 12V/230V ECO MODE](#) [RV-16](#) [PU-1000](#) [IPS-900 24V/230V](#) [PU-250](#) [PU-300](#) [BC-20 PRO 20A 12V](#) [IPS-1200S 12V/230V](#) [PE-25](#) [IPS-2000S 12V/230V](#) [SOL-20S](#) [IPS-800U 12V/230V](#) [PE-16](#) [PU-500](#)