

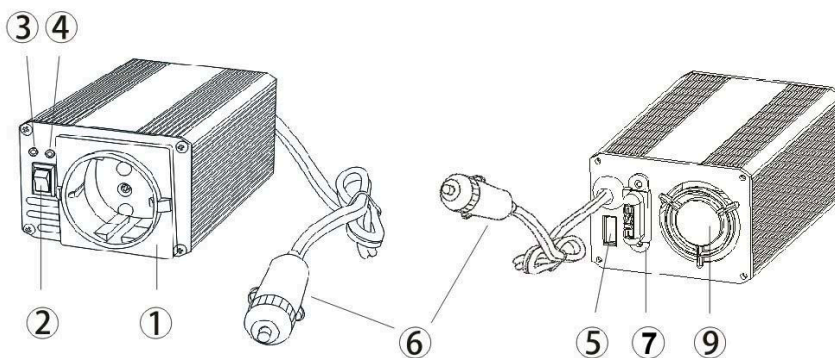
VOLTAGE INVERTER IPS-400

24 VDC - 230 VAC 400 W



Input voltage:	22V ÷ 30V
Voltage shutdown:	20V
Output voltage:	230VAC
Surge power:	400VA
Rated power:	200VA
Output wave form:	Modified sine wave
Motor soft start:	NO
Overload protection:	YES
Shortcut protection:	YES
Thermal protection:	YES
Overvoltage protection:	30 VDC
Low voltage alarm:	YES
Operating temperature:	0 ~ +40°C
Efficiency:	> 85%
Cooling:	Active
Terminals:	Car Cigarette Plug
230V socket:	1 pcs
Case:	Aluminium
Protection:	IP21
Dimensions [mm:	145x76x54
Weight [kg]:	0.365 kg
Product code:	5905279203662

Inverter description



- 1 - 230V socket
- 2 - main switch
- 3 - indicator (fault)
- 4 - indicator (power on)

- 5 - USB charging port
- 6 - 24V power cable
- 7 - fuse
- 9 - fan

www.powerinverters.pl



PROGRAM REGIONALNY
 NARODOWA STRATEGIA SPÓJNOŚCI



Projekt współfinansowany przez Unię Europejską z Europejskiego Funduszu Rozwoju Regionalnego oraz z budżetu państwa.



X-ON Electronics

Largest Supplier of Electrical and Electronic Components

Click to view similar products for [Azo Digital](#) manufacturer:

Other Similar products are found below :

[MPPT 30A 12V/24V LCD](#) [PE-35](#) [PS-250](#) [IPS-5000S 24V/230V ECO MODE](#) [IPS-400 12VDC-230VAC 400W](#) [IPS-400 24VDC-230VAC 400W](#) [PU-250-12-48](#) [MPPT 20A 12V/24V LCD](#) [PE-45](#) [IPS-1000S 12V/230V ECO MODE](#) [RV-16](#) [PU-1000](#) [IPS-900 24V/230V](#) [PU-250](#) [PU-300](#) [BC-20 PRO 20A 12V](#) [IPS-1200S 12V/230V](#) [PE-25](#) [IPS-2000S 12V/230V](#) [SOL-20S](#) [IPS-800U 12V/230V](#) [PE-16](#) [PU-500](#)