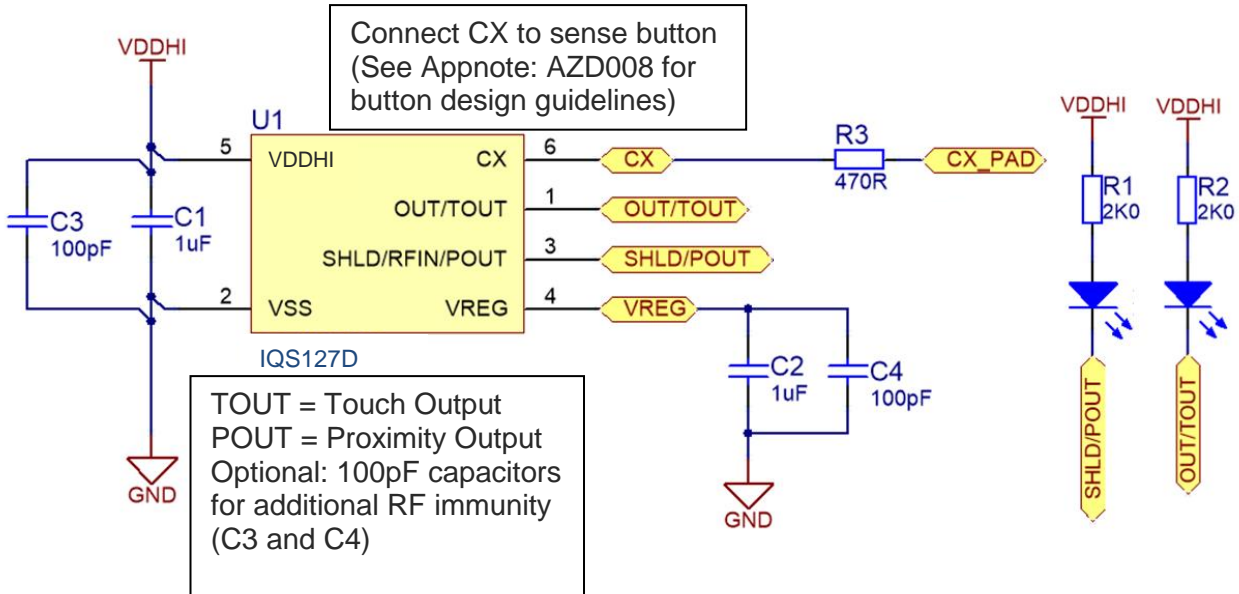


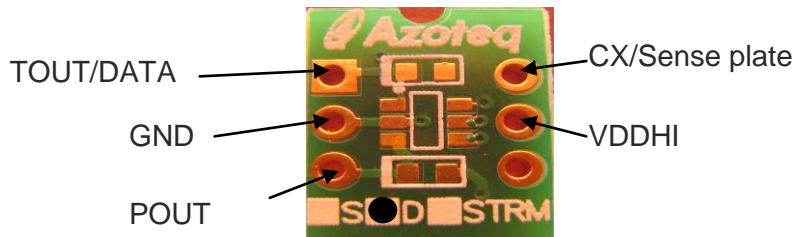


IQS127D on AZP112A05 Connection Guide

1 IQS127D on AZP112A05

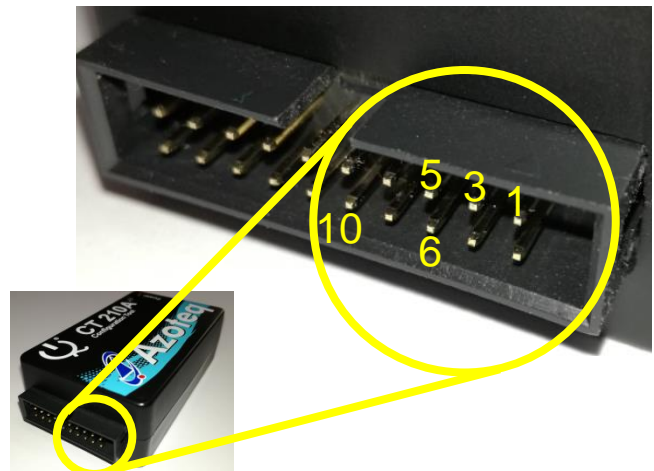


2 PC board (AZP112A05)



3 CT-Tool Connections

IQS127 pins	CT210(A) pins	
	Programming	Streaming
GND	1	1
VDDHI	3	3
POUT	5	
CX	6	
TOUT/DATA		10





The IQS127D ProxSense® IC is a fully integrated capacitive sensor device:

- **IQS127D:** Dual outputs (Touch button AND Proximity sensor).

Features

- Automatic **Antenna Tuning Implementation (ATI)** - Automatic adjustment for optimal performance.
- Internal **Capacitor Implementation (ICI)** – reference capacitor on-chip
- Low Power, suitable for battery applications
- Supply voltage: 2.95V to 5.5V
- Advanced on-chip digital signal processing
- User selectable:
 - 4 Power Modes (13uA min)
 - IO sink / source
 - Time-out for stuck key
 - Output mode (Direct / Latch / Toggle)
 - Proximity and Touch Button sensitivity settings
- Minimum external components
- Keys:
 - Touch: 5mm x 5mm or larger (overlay thickness dependent)
 - Proximity: Various electrical options (wire / PCB trace / ITO / conductive foil)
 - Dielectric: Various non-metal materials (i.e. glass, plastic, painted surfaces)
 - Dielectric thickness: 6 mm plastic, 10 mm glass
- 1-Wire data streaming

Contact Information

Please visit www.azoteq.com for comprehensive datasheets, application notes, reference designs and a list of distributors for your region.

X-ON Electronics

Largest Supplier of Electrical and Electronic Components

Click to view similar products for [Touch Sensor Development Tools](#) category:

Click to view products by [Azoteq](#) manufacturer:

Other Similar products are found below :

[TSC2100EVM](#) [TSC2003EVM-PDK](#) [ATMXT1066T2-DEV-PCB](#) [ATMXT336UDEVPCB](#) [LC717A00ARGEVK](#) [ATMXT641TDAT-I2C-PCB](#)
[MAX20353EVSYS#_1374](#) [MIKROE-1906_1602](#) [SEN0164_1982](#) [STEVAL-PCC009V3](#) [ATSAMD20-QTRDEMO](#) [ATQT2-XPRO](#) [ATQT6-XPRO_2340](#) [DM160221](#) [DM160229](#) [DM160222](#) [ATQT5-XPRO](#) [DFR0129](#) [SEN0170](#) [SLEXP8019A](#) [SLEXP8018A_1375](#) [SEN0186](#)
[SEN0148](#) [DK-000013-03](#) [ROB0103](#) [cs-useful-01](#) [DFR0385](#) [SEN0184](#) [SX8651EVKA_1362](#) [1580](#) [2024](#) [3575](#) [4830](#) [AS8579-TS_EK_DB](#)
[ATQT600](#) [IQS227/228ASEV01](#) [SKU-6515](#) [CY3280-MBR2](#) [CY3280-MBR3](#) [DFR0030](#) [DM160219](#) [AC160219](#) [AC320007](#) [ATEVK-MXT1066T2-A](#)