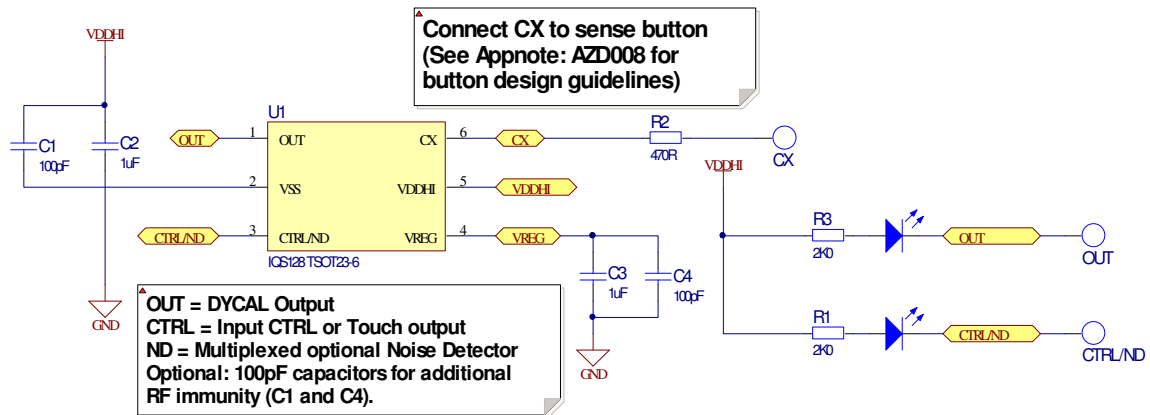


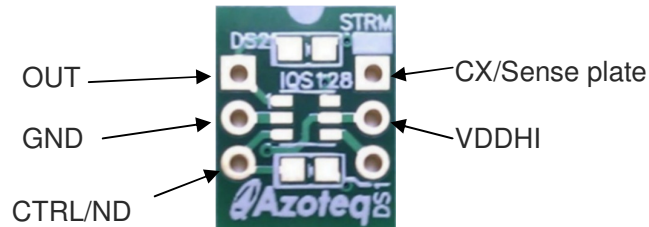


## IQS128 on AZP242A02 Connection Guide

### 1 IQS128 on AZP242A02



### 2 PCboard (AZP242A02)



### 3 PCB Layout

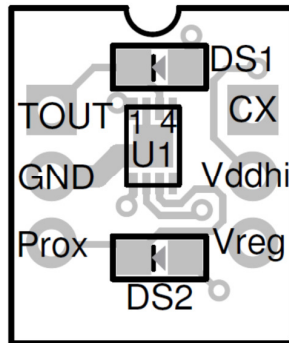


Figure 1.1 Top layer component placement

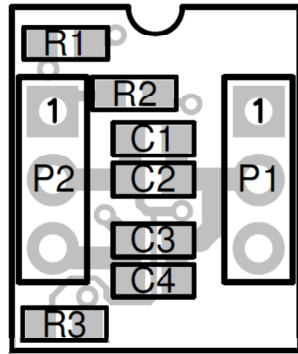
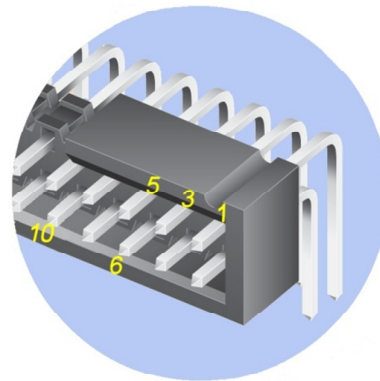


Figure 1.2 Bottom layer component placement

### 4 CT-Tool Connections

IQS128 pins	CT200 / CT220 pins	
	Programming	Streaming
GND	1	1
VDDHI	3	3
CTRL/ND	5	
CX	6	
OUT		10



The IQS128 ProxSense® IC is a fully integrated capacitive sensor with Dynamic Calibration technology to compensate for sensor drift during proximity and touch detection.

### Features

- Features DYCAL™ Intelligent Hysteresis
- Internal Capacitor Implementation (ICI)
- Automatic Antenna Tuning Implementation (Auto-ATI)
- Supply voltage: 2.95V to 5.5V
- Minimal external components
- 1-Wire open drain data streaming
- Advanced on-chip digital signal processing
- User selectable (OTP):
  - External synchronization control or
  - External control over filter operation
  - I/O Sink or Source selection
  - Time-out for stuck key



- Proximity and Touch sensitivity selections
  - 6 pin TSOT23-6
  - IQS128LP offered in DFN(2x3)-8
  - Touch: 6 mm plastic, 10 mm glass
  - Proximity: 15cm

**IQS128EV01 Kit includes:**

- 3 x Module PCB with IQS128 (TSOT23-6)

### **Contact Information**

Please visit [www.azoteq.com](http://www.azoteq.com) for comprehensive datasheets, application notes, reference designs and a list of distributors for your region.

## X-ON Electronics

Largest Supplier of Electrical and Electronic Components

*Click to view similar products for [Touch Sensor Development Tools](#) category:*

*Click to view products by [Azoteq](#) manufacturer:*

Other Similar products are found below :

[TSC2100EVM](#) [TSC2003EVM-PDK](#) [ATMXT1066T2-DEV-PCB](#) [ATMXT336UDEVPCB](#) [LC717A00ARGEVK](#) [ATMXT641TDAT-I2C-PCB](#)  
[MAX20353EVSYS#\\_1374](#) [MIKROE-1906\\_1602](#) [SEN0164\\_1982](#) [STEVAL-PCC009V3](#) [ATSAMD20-QTRDEMO](#) [ATQT2-XPRO](#) [ATQT6-XPRO\\_2340](#) [DM160221](#) [DM160229](#) [DM160222](#) [ATQT5-XPRO](#) [DFR0129](#) [SEN0170](#) [SLEXP8019A](#) [SLEXP8018A\\_1375](#) [SEN0186](#)  
[SEN0148](#) [DK-000013-03](#) [ROB0103](#) [cs-useful-01](#) [DFR0385](#) [SEN0184](#) [SX8651EVKA\\_1362](#) [1580](#) [2024](#) [3575](#) [4830](#) [AS8579-TS\\_EK\\_DB](#)  
[ATQT600](#) [IQS227/228ASEV01](#) [SKU-6515](#) [CY3280-MBR2](#) [CY3280-MBR3](#) [DFR0030](#) [DM160219](#) [AC160219](#) [AC320007](#) [ATEVK-MXT1066T2-A](#)