

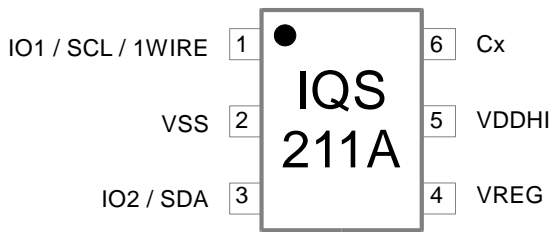


## IQS211AEV02 Quick start guide

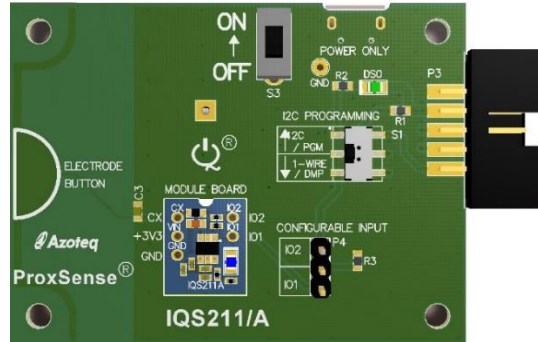
Single Channel Capacitive Proximity/Touch Controller with movement detection

The IQS211A ProxSense® IC is a self-capacitance controller designed for applications where an awake/activate on proximity/touch function is required. The IQS211A offers ultra-low power options and uses movement detection for applications that require long term handling during proximity/touch. The device can be configured via OTP (One Time Programmable) bits.

### 1 Reference design and pin layout



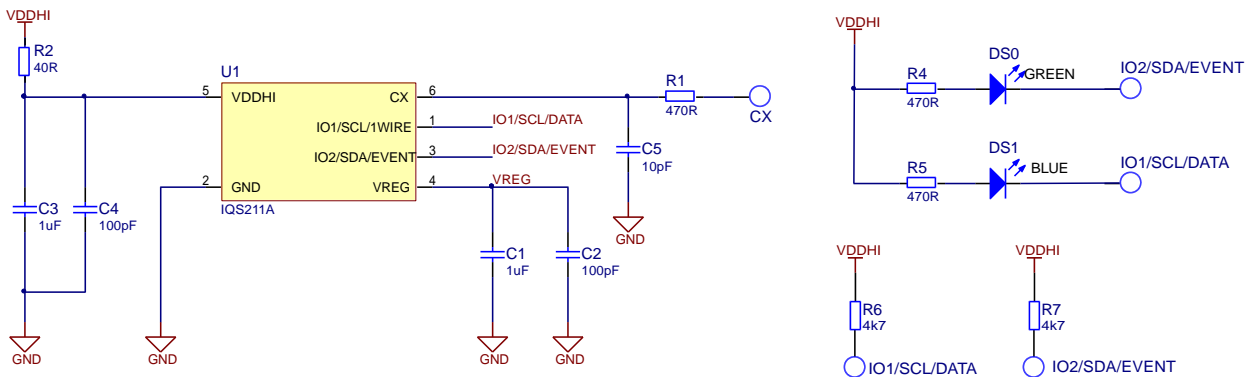
**Figure 1.1 Pin Layout**



**Figure 1.2 IQS211AEV02**

**Table 1.1 Pin-out description**

IQS211A in TSOT23-6			
Pin	Name	Type	Function
1	IO1 / SCL / 1WIRE	Digital Input / Output	Multifunction <b>IO1 / SCL / 1WIRE</b> (I <sup>2</sup> C Debug Clock signal / 1WIRE communication line)
2	VSS	Signal GND	
3	IO2 / SDA	Digital Input / Output	Multifunction <b>IO2 / SDA</b> (I <sup>2</sup> C Debug Data output)
4	VREG	Regulator output	Requires external capacitor
5	VDDHI	Supply Input	Supply: 1.8V – 3.3V
6	Cx	Sense electrode	Connect to conductive area intended for sensor



**Figure 1.3 IQS211A Reference design**

### 2 Ultra-low power configuration

For IQS211A 08000000 TSR devices (OTP Bank4: bit3 = 1 for VREG damping) the IQS211AEV02 main board can be configured to connect IO2 to R3 = 680Ω grounding resistor. This resistance is mandatory for the ultra-low power operational mode.

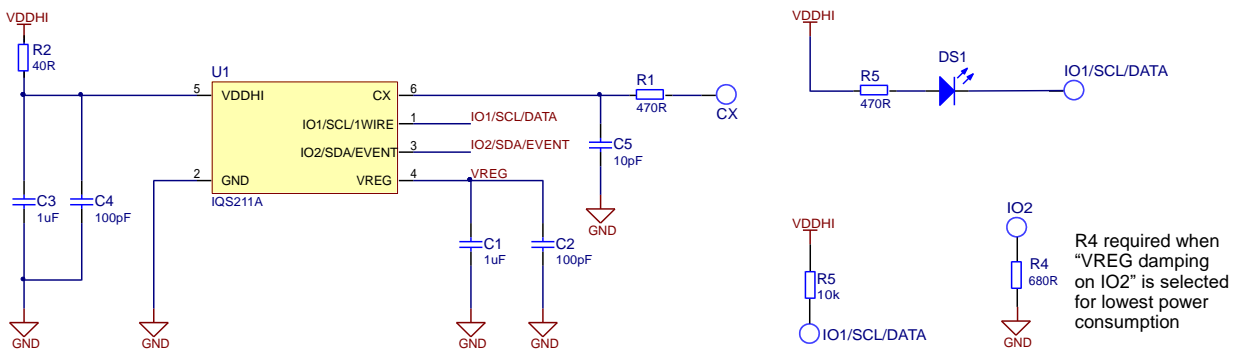
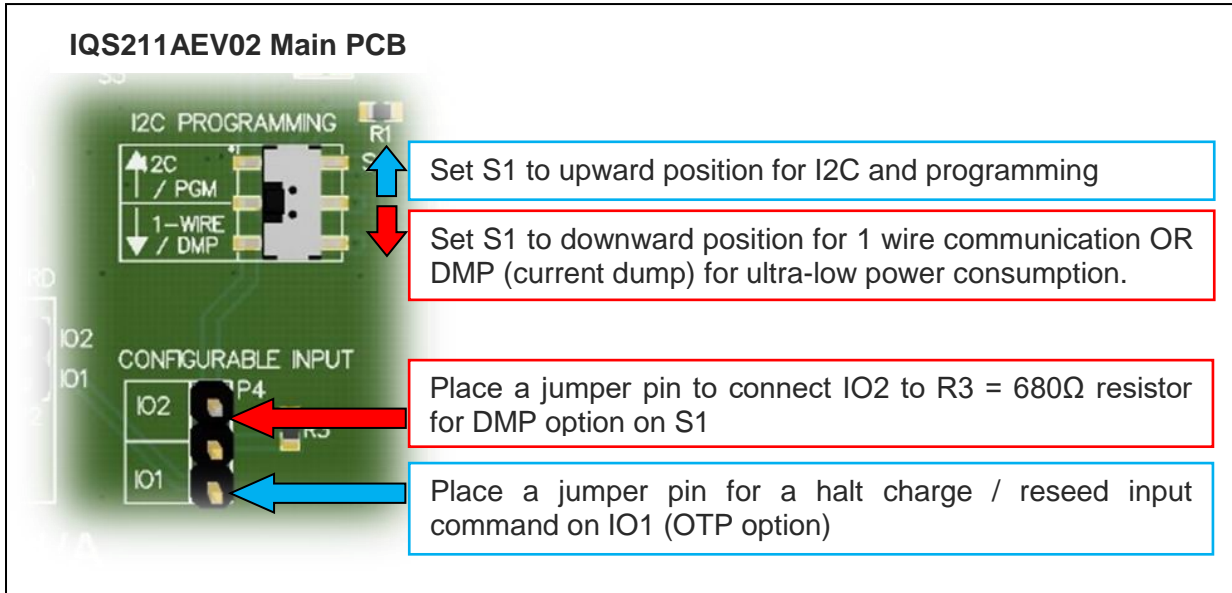


Figure 2.1 IQS211A reference design (Ultra-low power)

### 3 Default UI

Different UI's can be selected in the IQS211A GUI and can then be selected to run in standalone mode.

The GUI is available for download from the Software & Tools section of [azoteq.com](http://azoteq.com) and the [CT210](#) (sold separately) is used in conjunction with the GUI to select the different UI's and settings.

Using [USBProg](#) the IQS211A can be configured in different variations. Please note when settings are programmed it is permanent.

## X-ON Electronics

Largest Supplier of Electrical and Electronic Components

*Click to view similar products for [Touch Sensor Development Tools](#) category:*

*Click to view products by [Azoteq](#) manufacturer:*

Other Similar products are found below :

[TSC2100EVM](#) [TSC2003EVM-PDK](#) [ATMXT1066T2-DEV-PCB](#) [ATMXT336UDEVPCB](#) [LC717A00ARGEVK](#) [ATMXT641TDAT-I2C-PCB](#)  
[MAX20353EVSYS#\\_1374](#) [MIKROE-1906\\_1602](#) [SEN0164\\_1982](#) [STEVAL-PCC009V3](#) [ATSAMD20-QTRDEMO](#) [ATQT2-XPRO](#) [ATQT6-XPRO\\_2340](#) [DM160221](#) [DM160229](#) [DM160222](#) [ATQT5-XPRO](#) [DFR0129](#) [SEN0170](#) [SLEXP8019A](#) [SLEXP8018A\\_1375](#) [SEN0186](#)  
[SEN0148](#) [DK-000013-03](#) [ROB0103](#) [cs-useful-01](#) [DFR0385](#) [SEN0184](#) [SX8651EVKA\\_1362](#) [1580](#) [2024](#) [3575](#) [4830](#) [AS8579-TS\\_EK\\_DB](#)  
[ATQT600](#) [IQS227/228ASEV01](#) [SKU-6515](#) [CY3280-MBR2](#) [CY3280-MBR3](#) [DFR0030](#) [DM160219](#) [AC160219](#) [AC320007](#) [ATEVK-MXT1066T2-A](#)