



IQS211EV02 Quick start guide

Single Channel Capacitive Proximity/Touch Controller with movement detection

The IQS211ProxSense[®] IC is a self-capacitance controller designed for applications where an awake/activate on proximity/touch function is required. The IQS211 uses movement detection for applications that require long term detection. The IQS211 operates standalone or I²C can be configured via OTP (One Time Programmable) bits.

1 Reference design and pin layout

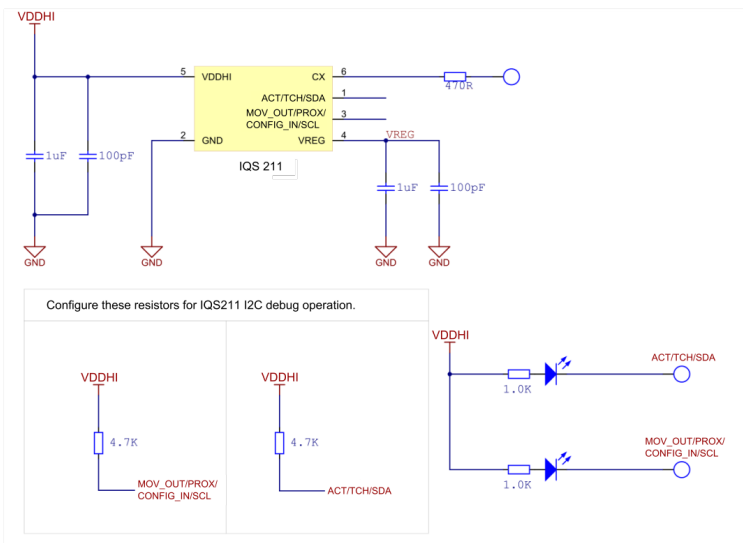


Figure 1.2 Reference design

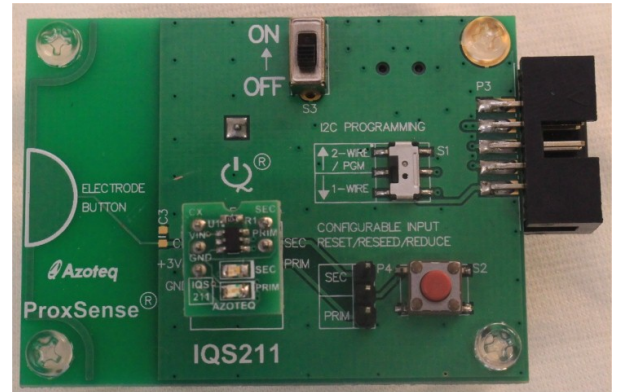


Figure 1.1 IQS211EV02

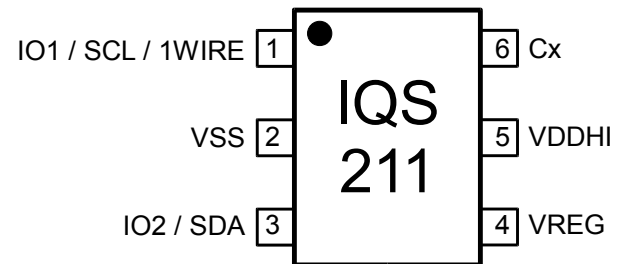


Figure 1.3 Pin layout

2 Default UI

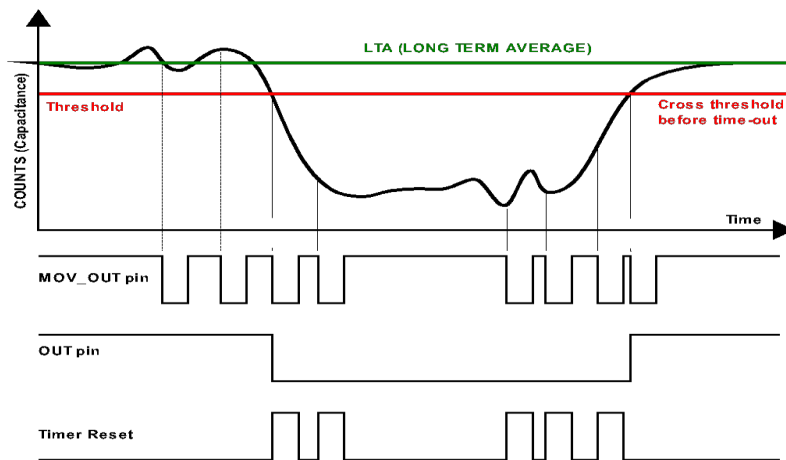


Figure 2.1 Default UI counts operation

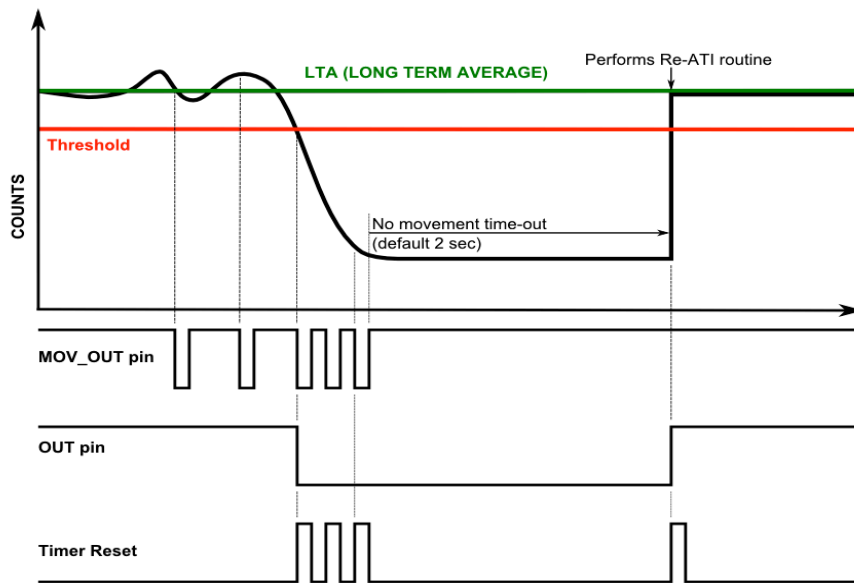


Figure 2.2 Default UI timer operation

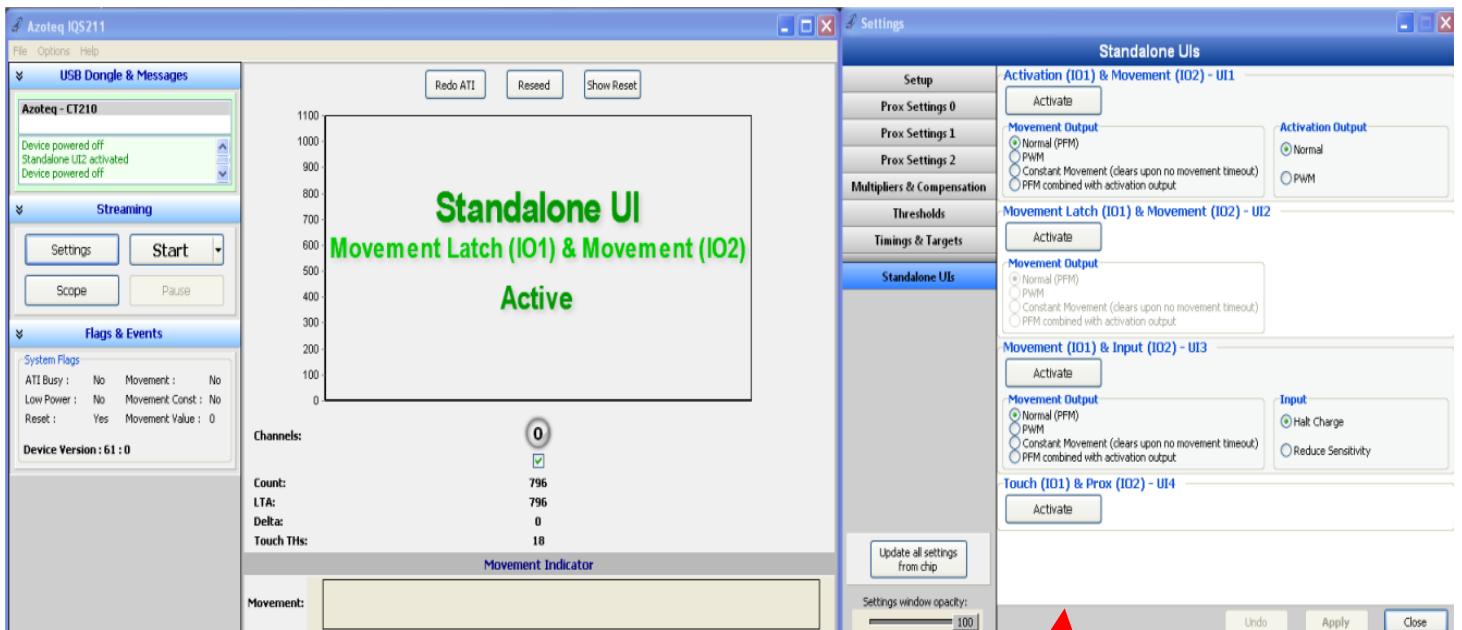


Figure 2.3 IQS211 GUI

Different UI's can be selected in the IQS211 GUI and can be selected to work in standalone mode.

The [CT210](#) is used in conjunction with the GUI to select the different UI's and settings.

Using [USBProg](#) the IQS211 can be configured in different variations.

X-ON Electronics

Largest Supplier of Electrical and Electronic Components

Click to view similar products for [Touch Sensor Development Tools](#) category:

Click to view products by [Azoteq](#) manufacturer:

Other Similar products are found below :

[TSC2100EVM](#) [TSC2003EVM-PDK](#) [ATMXT1066T2-DEV-PCB](#) [ATMXT336UDEVPCB](#) [LC717A00ARGEVK](#) [ATMXT641TDAT-I2C-PCB](#)
[MAX20353EVSYS# 1374](#) [MIKROE-1906](#) [1602](#) [SEN0164](#) [1982](#) [STEVAL-PCC009V3](#) [ATSAMD20-QTRDEMO](#) [ATQT2-XPRO](#) [ATQT6-](#)
[XPRO](#) [2340](#) [DM160221](#) [DM160229](#) [DM160222](#) [ATQT5-XPRO](#) [DFR0129](#) [SEN0170](#) [SLEXP8019A](#) [SLEXP8018A](#) [1375](#) [SEN0186](#)
[SEN0148](#) [DK-000013-03](#) [ROB0103](#) [cs-useful-01](#) [DFR0385](#) [SEN0184](#) [SX8651EVKA](#) [1362](#) [1580](#) [2024](#) [3575](#) [4830](#) [AS8579-TS_EK_DB](#)
[ATQT600](#) [IQS227/228ASEV01](#) [SKU-6515](#) [CY3280-MBR2](#) [CY3280-MBR3](#) [DFR0030](#) [DM160219](#) [AC160219](#) [AC320007](#) [ATEVK-](#)
[MXT1066T2-A](#)