



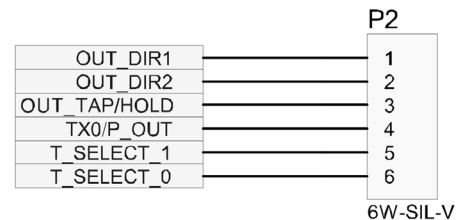
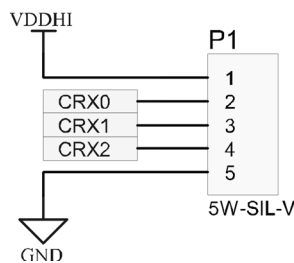
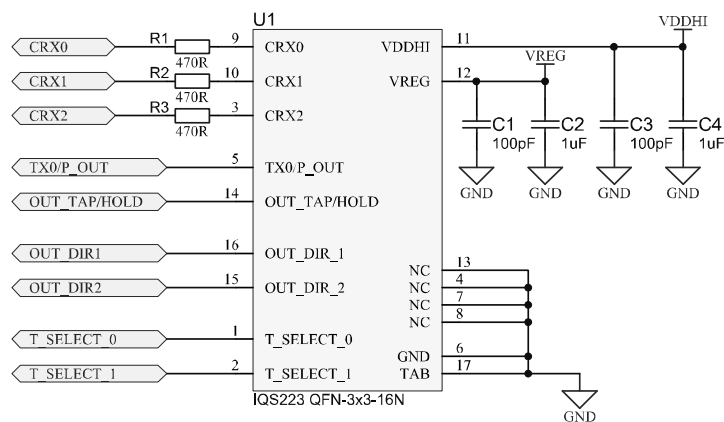
IQS223EV01 QUICK START GUIDE

3 Channel capacitive proximity and touch controller with flick or swipe and tap & hold gesture outputs.

The IQS223 ProxSense® IC is a 3-channel projected- or self capacitive proximity and touch controller with best in class sensitivity, signal to noise ratio and power consumption. Swipe and tap gestures are calculated on-chip and reported on GPIO pins.

EV-Kit Overview

- > The stamp can be easily wired into an application and connected to a rapid prototype electrode.
- > Flick or swipe gesture detection with individual direction output pins.
- > Tap and hold gesture recognition and output
- > Prox output



**Refer to IQS223 datasheet for ATI target selection strap options.*

X-ON Electronics

Largest Supplier of Electrical and Electronic Components

Click to view similar products for [Touch Sensor Development Tools](#) category:

Click to view products by [Azoteq](#) manufacturer:

Other Similar products are found below :

[TSC2100EVM](#) [TSC2003EVM-PDK](#) [ATMXT1066T2-DEV-PCB](#) [ATMXT336UDEVPCB](#) [LC717A00ARGEVK](#) [ATMXT641TDAT-I2C-PCB](#)
[MAX20353EVSYS#_1374](#) [MIKROE-1906_1602](#) [SEN0164_1982](#) [STEVAL-PCC009V3](#) [ATSAMD20-QTRDEMO](#) [ATQT2-XPRO](#) [ATQT6-XPRO_2340](#) [DM160221](#) [DM160229](#) [DM160222](#) [ATQT5-XPRO](#) [DFR0129](#) [SEN0170](#) [SLEXP8019A](#) [SLEXP8018A_1375](#) [SEN0186](#)
[SEN0148](#) [DK-000013-03](#) [ROB0103](#) [cs-useful-01](#) [DFR0385](#) [SEN0184](#) [SX8651EVKA_1362](#) [1580](#) [2024](#) [3575](#) [4830](#) [AS8579-TS_EK_DB](#)
[ATQT600](#) [IQS227/228ASEV01](#) [SKU-6515](#) [CY3280-MBR2](#) [CY3280-MBR3](#) [DFR0030](#) [DM160219](#) [AC160219](#) [AC320007](#) [ATEVK-MXT1066T2-A](#)