



## IQS231EV02 Quick start guide

Single Channel Capacitive Proximity/Touch/SAR Controller with movement detection

The IQS231ProxSense® IC is a self-capacitance controller designed for SAR applications where a reliable proximity detection function is required along with human and inanimate object distinction. The IQS231 uses quick release and movement detection to achieve this. The IQS231 operates standalone or I<sup>2</sup>C can be configured via OTP (One Time Programmable) bits.

### 1 Reference design and pin layout



Figure 1.1 IQS231EV02

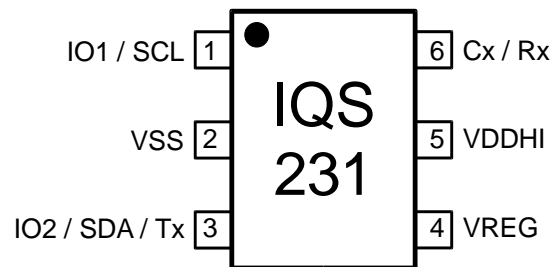


Figure 1.2 TSOT23-6 Pin layout

Table 1.1 Multifunction pin descriptions

| IQS231 in TSOT23-6 |                    |                      |  |
|--------------------|--------------------|----------------------|--|
| Pin                | Name               | Type                 | Function   |
| 1                  | PRIMARY I/O        | Digital Input/Output | Multifunction <b>IO1 / SCL</b> (I <sup>2</sup> C Clock signal)     |
| 2                  | VSS                | Signal GND           |  |
| 3                  | SECONDARY I/O / Tx | Digital Input/Output | Multifunction <b>IO2 / SDA</b> (I <sup>2</sup> C Data output) / Tx |
| 4                  | VREG               | Regulator output     | Requires external capacitor  |
| 5                  | VDDHI              | Supply Input         | Supply:1.75V – 3.6V  |
| 6                  | Cx                 | Sense electrode      | Connect to conductive area intended for sensor                     |

Table 1.2 Pin-out description

| Multifunction pin name | Multifunction pin option   |
|------------------------|--|
| IO1                    | Proximity output / Proximity output with heartbeat                         |
| IO2                    | Sensitivity input / Synchronization input / Movement output / Touch output |

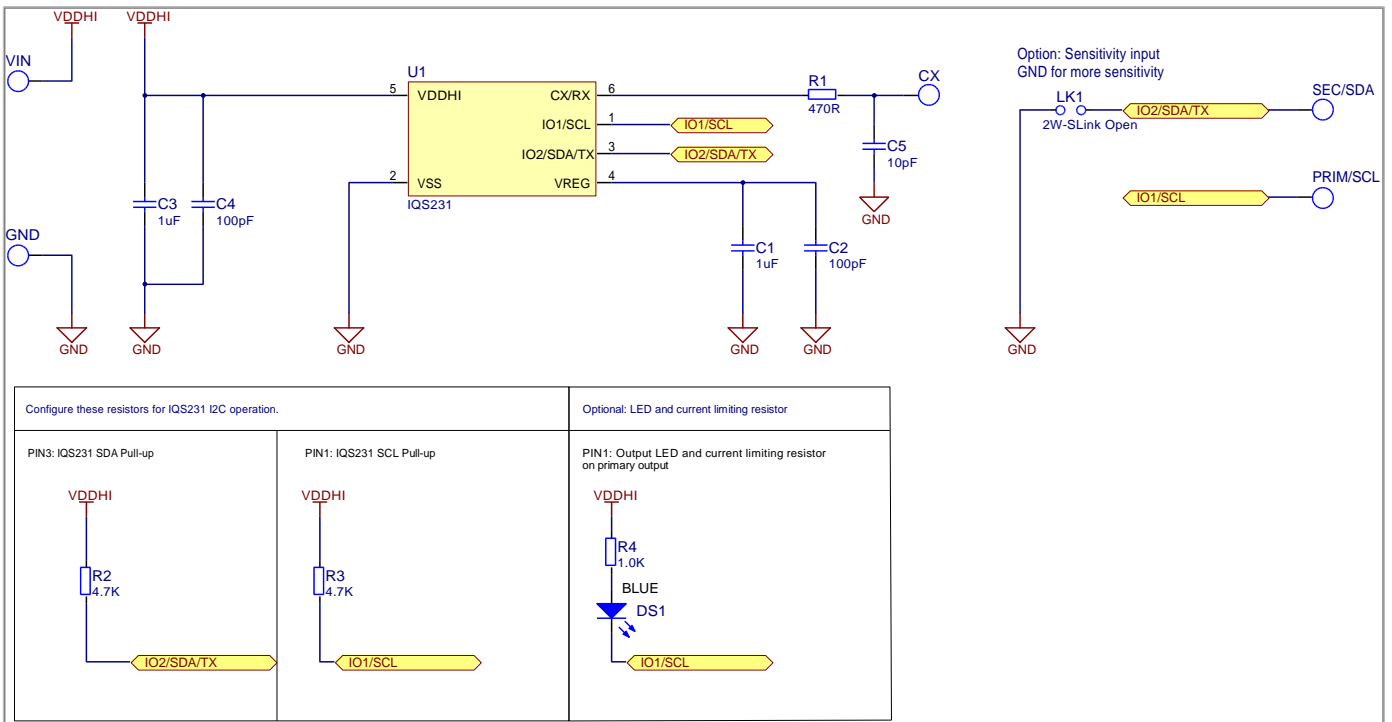


Figure 1.3 Reference design

## 2 Default UI

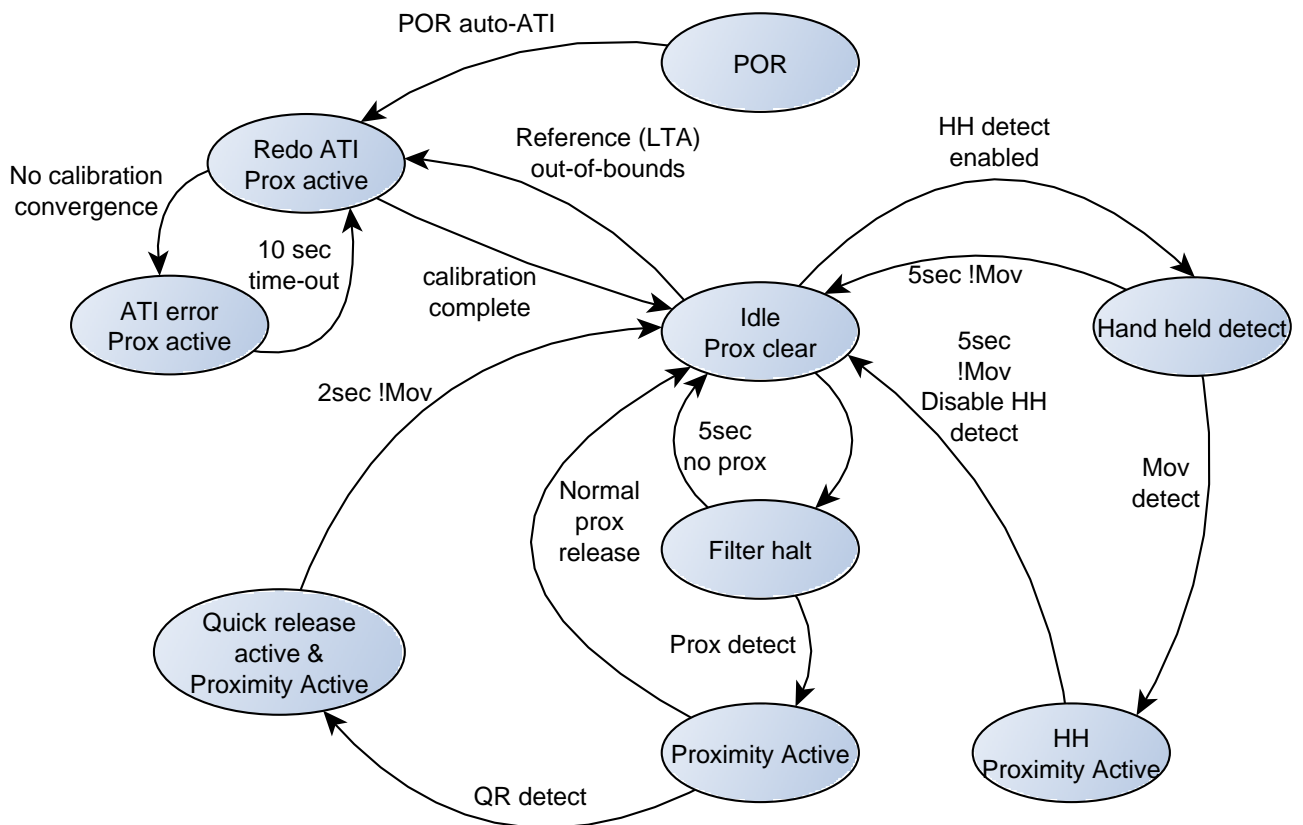


Figure 2.1 Proximity UI no movement

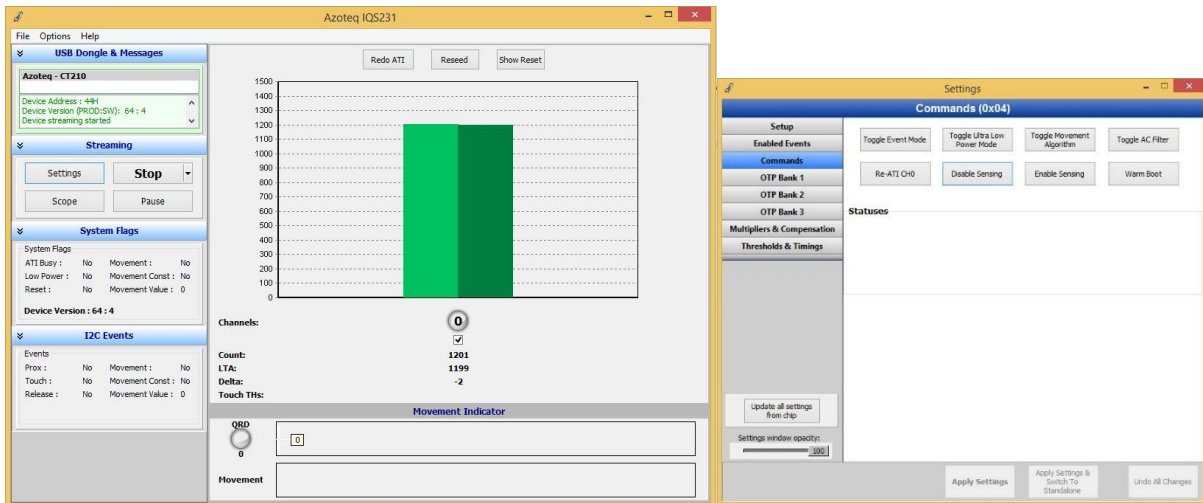


Figure 2.2 IQS231 GUI

Different UI's can be selected in the IQS231 GUI and can then be selected to run in standalone mode.

The GUI is available for download from the Software & Tools section of [azoteq.com](http://azoteq.com) and the [CT210](#) (sold separately) is used in conjunction with the GUI to select the different UI's and settings.

Using [USBProg](#) the IQS231 can be configured in different variations. Please note when settings are programmed it is permanent.

## X-ON Electronics

Largest Supplier of Electrical and Electronic Components

*Click to view similar products for [Touch Sensor Development Tools](#) category:*

*Click to view products by [Azoteq](#) manufacturer:*

Other Similar products are found below :

[TSC2100EVM](#) [TSC2003EVM-PDK](#) [ATMXT1066T2-DEV-PCB](#) [ATMXT336UDEVPCB](#) [LC717A00ARGEVK](#) [ATMXT641TDAT-I2C-PCB](#)  
[MAX20353EVSYS#\\_1374](#) [MIKROE-1906\\_1602](#) [SEN0164\\_1982](#) [STEVAL-PCC009V3](#) [ATSAMD20-QTRDEMO](#) [ATQT2-XPRO](#) [ATQT6-XPRO\\_2340](#) [DM160221](#) [DM160229](#) [DM160222](#) [ATQT5-XPRO](#) [DFR0129](#) [SEN0170](#) [SLEXP8019A](#) [SLEXP8018A\\_1375](#) [SEN0186](#)  
[SEN0148](#) [DK-000013-03](#) [ROB0103](#) [cs-useful-01](#) [DFR0385](#) [SEN0184](#) [SX8651EVKA\\_1362](#) [2024\\_3575](#) [4830](#) [AS8579-TS\\_EK\\_DB](#)  
[ATQT600](#) [IQS227/228ASEV01](#) [SKU-6515](#) [CY3280-MBR2](#) [CY3280-MBR3](#) [DFR0030](#) [DM160219](#) [AC160219](#) [AC320007](#) [AC47H23A](#)  
[ATEVK-MXT1066T2-A](#)