



IQS621EV04 Overview

Combination sensor with ambient light sensing (ALS), capacitive proximity/touch, Hall-effect sensor & inductive sensing capabilities

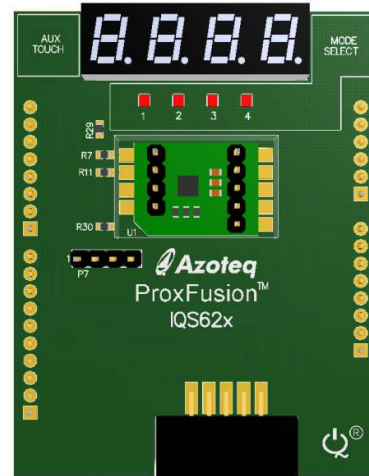
The IQS621 ProxFusion® IC is a multifunctional, ambient light sensing (ALS), capacitance, Hall-effect & inductance sensor designed for applications where any or all of the technologies may be required. The IQS621 is an ultra-low power solution designed for short or long term activations through any of the sensing channels. The IQS621 is fully I²C compatible.

EV-Kit Overview

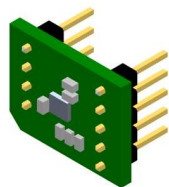
- Inductive sensing
- Hall-effect sensing
- Capacitive sensing
- Ambient light sensing (ALS)

Evaluation Modes

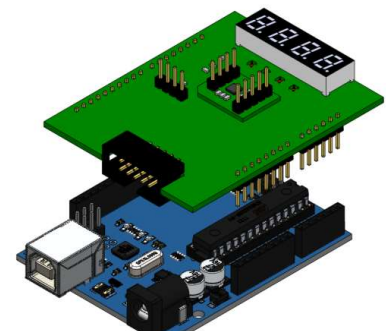
- Connect to PC GUI via CT210A USB Dongle (included in the EV04 Kit)
- When connected to CT210A use 3.3V (default) only²
 - Raw info displayed in GUI
- Please ensure Shield Board³ is unplugged from Arduino Uno / ST Nucleo when connected to CT210A
- Plug into Arduino Uno¹ or ST Nucleo¹
 - Sensor info displayed on 7-segment
 - Open source code for custom development
- Embed the small module PCB (stamp) into custom design & interface to host MCU
(Additional modules sold separately as IQS621EV01)



IQS621EV04 Shield Board



Detachable Stamp Module



IQS621 Shield + Arduino Uno¹

Applications

- Mobile electronics (phones/tablets)
- Home automation & lighting control
- White goods and appliances
- Wearable devices

- Human Interface Devices
- Aftermarket automotive⁴

¹ Sold separately

² 1.8V not supported on Shield Board due to diode protection

³ Shield Board does not support programming

⁴ The part is not automotive qualified

X-ON Electronics

Largest Supplier of Electrical and Electronic Components

Click to view similar products for [Touch Sensor Development Tools](#) category:

Click to view products by [Azoteq](#) manufacturer:

Other Similar products are found below :

[TSC2100EVM](#) [TSC2003EVM-PDK](#) [ATMXT1066T2-DEV-PCB](#) [ATMXT336UDEVPCB](#) [LC717A00ARGEVK](#) [ATMXT641TDAT-I2C-PCB](#)
[MAX20353EVSYS#_1374](#) [MIKROE-1906_1602](#) [SEN0164_1982](#) [STEVAL-PCC009V3](#) [ATSAMD20-QTRDEMO](#) [ATQT2-XPRO](#) [ATQT6-XPRO_2340](#) [DM160221](#) [DM160229](#) [DM160222](#) [ATQT5-XPRO](#) [DFR0129](#) [SEN0170](#) [SLEXP8019A](#) [SLEXP8018A_1375](#) [DFR0386](#)
[SEN0186](#) [SEN0148](#) [DK-000013-03](#) [ROB0103](#) [cs-useful-01](#) [DFR0385](#) [SEN0184](#) [SX8651EVKA_1362](#) [1580](#) [2024](#) [3575](#) [4830](#) [AS8579-TS_EK_DB](#) [ATQT600](#) [IQS227/228ASEV01](#) [SKU-6515](#) [CY3280-MBR2](#) [CY3280-MBR3](#) [DFR0030](#) [DM160219](#) [AC160219](#) [AC320007](#)