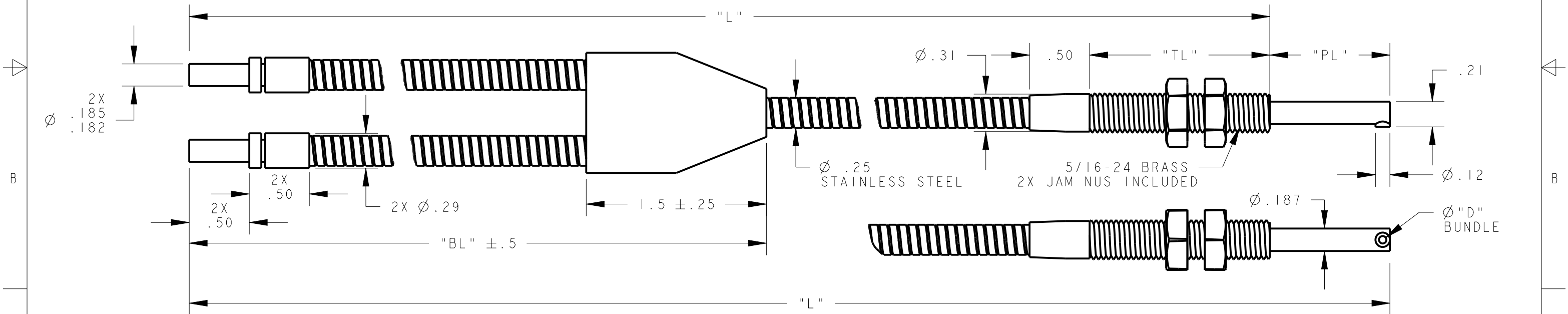


MODEL NO.	"BL"	"TL"	"PL"	"L"	"D"	P/N
BTETA1.54.7S	7.5	1.5	1.00	56	.09	23006
BTETA1.56.7S	7.5	1.5	1.00	80	.09	23007
BTETA1.57S	7.5	1.5	1.00	84	.09	23008
BTETA1.58S	7.5	1.5	1.00	96	.09	23009
BTETA1.53SM600	7.5	1.5	1.00	36	.09	71986
BTETA1.59S	7.5	1.5	1.00	108	.09	22498
BTETA.756S	7.5	1.5	1.00	72	.046	22337
BTETA.754S	7.5	1.5	1.00	48	.046	22017
BTETA1.52S	7.5	1.5	1.00	24	.09	21959
BTETA.753S	7.5	1.5	1.00	36	.046	21794
BTETA16S	7.5	1.5	1.00	72	.06	21763
BTETA13S	7.5	1.5	1.00	36	.06	21762
BTETA1.53S	7.5	1.5	1.00	36	.09	21496

NOTES:

1. 'M600' SUFFIX INDICATES FIBER POTTED ON ANGLED END WITH EPOXY OPERATES IN MAX. TEMPERATURE OF 600°F.



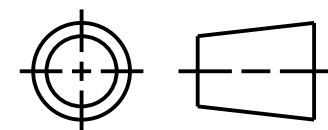
NOTES:
1. ALL DIMENSIONS ARE MILLIMETERS [INCHES] UNLESS OTHERWISE NOTED.

This drawing is the property of BANNER ENGINEERING CORP. and is proprietary in general and in detail. Its contents shall not be revealed to outside parties without written consent of BANNER.



BANNER ENGINEERING CORP.
P.O. BOX 9414
MINNEAPOLIS, MN 55440

THIRD ANGLE PROJECTION



TITLE
BTETA1.5 SERIES SS TERMINATED

SIZE B	DRAWING NO. 161937	REV. A
SCALE 5:4	SHEET 1 OF 2	

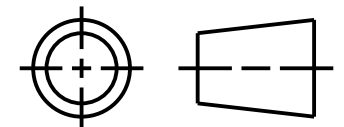
8	7	6	5	4	3	2	1
MODEL NO.	"BL"	"TL"	"PL"	"L"	"D"	P/N	
BTETA1.58SM600	7.5	1.5	1.00	96	.09	93883	
BTETA1.5.83S	4.5	1.5	1.00	10	.09	24870	
BTETA13SM600	7.5	1.5	1.00	36	.06	24871	
BTETA1.8S	7.5	1.5	1.00	9	.06	00000	
BTETA1.511S	7.5	1.5	1.00	132	.09	68597	
BTETA1.525SM600	7.5	1.5	1.00	300	.09	71564	
BTETA1.51S	7.5	1.5	1.00	12	.09	79020	
BTETA1.525S	7.5	1.5	1.00	300	.09	24592	
BTETA1.515S	7.5	1.5	1.00	180	.09	24591	
BTETA1.52SM2.5	7.5	1.5	2.50	24	.09	00000	
BTETA1.55S	7.5	1.5	1.00	60	.09	24053	
BTETA1.51.5S	7.5	1.5	1.00	18	.09	23982	
BTETA12S	7.5	1.5	1.00	24	.06	00000	
BTETA11S	4.5	1.5	1.00	12	.06	23877	
BTETA1.5ISM2	4.5	1.5	2.00	12	.09	00000	
BTETA14S	7.5	1.5	1.00	48	.06	23363	
BTETA1.56S	7.5	1.5	1.00	72	.09	23732	
BTETA1.53SMSTMP	7.5	.75	2.25	36	.09	23161	

NOTES:
 1. ALL DIMENSIONS ARE MILLIMETERS [INCHES] UNLESS OTHERWISE NOTED.

This drawing is the property of BANNER ENGINEERING CORP. and is proprietary in general and in detail. Its contents shall not be revealed to outside parties without written consent of BANNER.

 BANNER ENGINEERING CORP.
 P.O. BOX 9414
 MINNEAPOLIS, MN 55440

THIRD ANGLE PROJECTION



TITLE
BTETA1.5 SERIES SS TERMINATED

SIZE B DRAWING NO. **161937** REV. **A**

SCALE 3:2 SHEET 2 OF 2

X-ON Electronics

Largest Supplier of Electrical and Electronic Components

Click to view similar products for [Fibre Optic Sensors](#) category:

Click to view products by [Banner](#) manufacturer:

Other Similar products are found below :

[BTA23S](#) [IAT23S](#) [D12EN6FP](#) [BA23S](#) [BF13S](#) [BT21S](#) [IAT28S](#) [IT26S](#) [E32L56E1](#) [E32L56E2](#) [D12E2N6FP](#) [D12DAB6FPQ](#) [D12EP6FV](#)
[W/30](#) [PBT46UHT1](#) [D12SN6FVY](#) [FL-DR90W](#) [CCS-NFCB2-CC-3](#) [CCS-LFV3-35RD](#) [CCS-QBL-120120SW](#) [E3Z-T81-M1TJ-1 0.3M](#) [S7-4-](#)
[E-P](#) [CN-14A-R-C2](#) [CN-73-C1](#) [LL3-TB01](#) [FD-42G](#) [E32-D11L 2M](#) [E32-T11L 2M](#) [1830L3500MSC](#) [FX-101-CC2](#) [FX-101P](#) [FX-101P-CC2](#)
[FX-101P-Z](#) [FX-102-CC2](#) [D11SN6FP](#) [PBCL22T](#) [SM312FP1H](#) [FT-420-10](#) [WLL180T-P432](#) [FD-31](#) [FD-62](#) [E3X-NA41 2M](#) [FT-F93](#) [FX-](#)
[102P-CC2](#) [FX-502P](#) [FX-505P-C2](#) [E32-D32 2M](#) [CN-73-C2](#) [CN-24A-C5](#) [CN-24A-C2](#) [CN-14A-R-C5](#)