

Datasheet

Special-Purpose Glass and Plastic Fiber Optic Sensors for Low-Contrast Applications



- Highly sensitive to very small signal changes; fast response
- Automatic gain control circuit continually adjusts emitter output to maintain system gain
- Ideal for low contrast applications such as web **flaw**, thread break, and falling parts detection
- Sensors operate from 10 V dc to 30 V dc
- One NPN and one PNP output; 150 mA maximum (continuous) load
- LED indicators for power on, output conducting, and AGC lock conditions
- Selectable light- or dark-operate; no false pulse on power-up
- Models available for use with glass fibers or plastic fibers



WARNING: Not To Be Used for Personnel Protection

Never use this device as a sensing device for personnel **protection**. Doing so could lead to serious injury or death. This device does not include the self-checking redundant circuitry necessary to allow its use in personnel safety applications. A sensor failure or malfunction can cause either an energized or de-energized sensor output condition.



CAUTION: Electrostatic Discharge (ESD)

ESD **Sensitive** Device. Use proper handling procedures to prevent ESD damage to these devices. The module does not contain any specific ESD protection beyond the structures contained in its integrated circuits. Proper handling procedures should include leaving devices in their anti-static packaging until ready for use; wearing anti-static wrist straps; and assembling units on a grounded, static-dissipative surface.

Models

Glass Fiber Optic Sensors			
Model	Output	Connection	Range
D12DAB6FV	One NPN and one PNP	2 m (6.5 ft) attached cable	Range varies by sensing mode and fiber optics used
D12DAB6FV W/30		9 m (30 ft) attached cable	
D12DAB6FVQ		150 mm (6-in) with pico-style QD	

Plastic Fiber Optic Sensors			
Model	Output	Connection	Range
D12DAB6FP	One NPN and one PNP	2 m (6.5 ft) attached cable	Range varies by sensing mode and fiber optics used
D12DAB6FP W/30		9 m (30 ft) attached cable	
D12DAB6FPQ		150 mm (6-in) with pico-style QD	

Overview

D12DAB6 Series sensors are compact, ac-coupled sensors designed for use with Banner glass or plastic fiber optics. They are intended for applications in which the light signal change is so small that sensitivity adjustment of ordinary dc-coupled sensors is difficult or impossible. D12DAB6 Series sensors can respond to even smaller signal changes than the standard D12 fiber optic sensors, and are less affected by gradual signal changes due to dirt buildup, etc. Typical applications include thread break detection, web flaw detection, and detection of small parts falling randomly from vibratory feeders or small presses.



D12DAB6 Series sensors reliably amplify the small signal changes found in many low contrast sensing applications. An automatic gain control (AGC) feedback system locks onto the light signal and continually adjusts the light intensity of the emitter so that the system is always maintained at the desired reference level regardless of the sensing range or the degree of environmental contamination. A multi-turn control enables setting of the amplifier sensitivity.

Model D12DAB6FV models are for use with Banner glass fiber optic assemblies. The D12DAB6FP plastic fiber models may be used with either the small diameter (0.508 mm or 0.020-inch) or large diameter (1.016 mm or 0.040-inch) Banner cut-to-length plastic fiber optics.

D12DAB6 Series sensors have a POWER ON indicator, a LOCK indicator that lights when the AGC circuit has locked onto the signal, and an output indicator that lights whenever the sensor's outputs are energized.

A switch on the sensor's top panel selects either light- or dark-operate. When light-operate is selected, output occurs on a dark-to-light transition. When dark-operate is selected, output occurs on a light-to-dark transition.

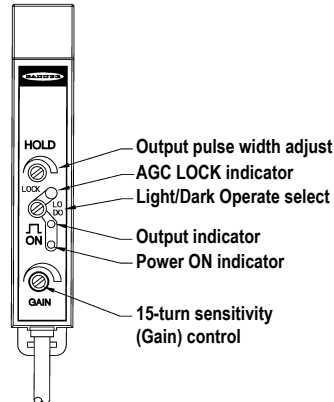
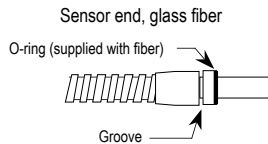


Figure 1. Sensor Features (Top Panel Shown)

Installation

Installing Glass Fibers

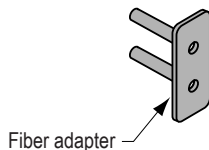
1. Gently seat an o-ring onto each sensor end of the fiber.



2. Slide the sensor ends into the fiber ports as far as they will go.
3. Push firmly on the fiber ends to compress the o-ring, and while holding the sensor ends snugly in place, slide the fiber retaining clip into the slot.
4. Press the retaining clip in until it snaps into the groove.

Installing Plastic Fibers

1. Cut the fiber ends according to the instructions included with the fibers.
2. Slide the fiber gripper up (open).
3. If you are using 0.254 mm or 0.508 mm (0.010 inch or 0.020 inch) diameter fibers: Insert the adaptor into the ports as far as they will go.



4. For all fiber diameters: Insert the prepared plastic fiber sensor ends gently into the ports as far as they will go.
5. Slide the fiber gripper back down to lock it.

Alignment

1. Attach two individual fiber optic assemblies (or one bifurcated fiber optic assembly) to the D12DAB6 Series sensor using the instructions packed with the fiber.

2. Mount and align the sensing end(s) of the fiber(s) at the sensing location in a position that will optimize the differential between the light and dark conditions.
Do not connect the load at this time: the LOAD (amber) LED will simulate the action of the load.
3. Connect the brown and blue wires from the sensor to a +10 V dc to 30 V dc source (see wiring diagram).
4. Apply dc power and verify that the POWER ON LED (green) is on.
5. Set the LO/DO switch to DO (dark operate).
6. Present the light condition to the sensor.
7. Make sure that the LOCK LED (red) stays on. If necessary, adjust the fiber ends so that the red LOCK LED stays on reliably.



Note: If the light condition is a quick transition that cannot be simulated as a static condition and the dark condition is the normal condition, set the LO/DO switch to LO (light operate). Adjust the fiber ends so that, when the light condition occurs, the amber LOAD indicator LED turns on reliably.

8. Simulate the sensing event to the sensor while observing the amber LOAD LED.
9. If necessary, adjust the GAIN control (clockwise to increase) so that the LOAD LED changes state positively and reliably to all desired variations of the sensing event.

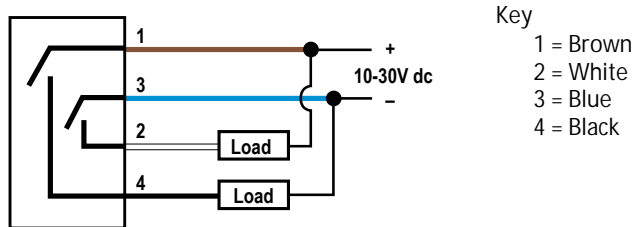
Note that too much gain may result in unwanted response to conditions such as vibration of the sensing ends, etc.

10. While observing the LOAD LED, adjust the output pulse length using the sensor's 3/4-turn HOLD control.

Minimum on time is 1 millisecond; maximum on time is 70 milliseconds.

11. Connect the load to the sensor and check the system.

Wiring Diagram



The sensor operates normally if the supply voltage polarity is reversed; however, the white and black wires must always be wired as shown.

Specifications

Sensing Beam

Visible red, 680 nm

Supply voltage

+10 V dc to 30 V dc at 60 mA max, exclusive of load

Supply Protection Circuitry

Protected against reverse polarity and transient overvoltages

Output configuration

One NPN (current sinking) and one PNP (current sourcing) open-collector transistor

Output rating

150 mA maximum each output
 No false pulse on power-up. False pulse protection circuit causes a 0.1 second delay on power-up
 Short-circuit protected
 Off-state leakage current: < 10 microamps at 30 V dc.
 On-state saturation voltage: < 1 V at 10 mA dc; < 1.5 V at 150 mA dc
 The total load may not exceed 150 mA
 Output pulse: time adjustable, 1 to 70 milliseconds

Response time

50 microseconds on

Repeatability

15 microseconds

Indicators

Three top-mounted LED indicators, one amber, one green, and one red
 Green on: dc power on
 Amber on: output conducting
 Red on: whenever the AGC system is locked onto the signal

Adjustments (three top-panel controls)

Sensitivity control is a 15-turn slotted brass screw, clutched at both ends of adjustment
 Light- or Dark-operate select switch
 Output Pulse adjustment is a 3/4-turn potentiometer

Construction

Black ABS housing with acrylic cover
 Acetal fiber clamping element
 Stainless steel M3 × 0.5 hardware for use with mounting bracket (supplied)

Environmental Rating

NEMA 4, IEC IP66

Cable

2 m (6.5 ft) or 9 m (30 ft) attached PVC-covered cable, or 150 mm (6-in) with Pico-style 4-pin QD connector

Mounting bracket

D12 Series sensors mount directly to a standard DIN rail, or may be through-hole mounted using the supplied mounting bracket and M3 × 0.5 hardware. Bracket material is black PBT polyester.

Operating Conditions

-40 °C to +70 °C (-40 °F to +158 °F)
 90% at +50 °C maximum relative humidity (non-condensing)

D12DAB6FV—Sensing modes and minimum guaranteed ranges (3-foot fibers)

Mode	Glass Fiber and Lens	Guaranteed Range (3-ft fibers)
Opposed	1.588 mm (1/16-in) fibers, no lenses	75 mm (3 in)
Opposed	1.588 mm (1/16-in) fibers, L9 lenses	> 150 cm (60 in) ¹
Opposed	1.588 mm (1/16-in) fibers, L16F lenses	> 150 cm (60 in) ¹
Diffuse	1.588 mm (1/16-in) fibers, no lenses	25 mm (1 in); distance to 90% reflectance white test card
Opposed	3.175 mm (1/8-in) fibers, no lenses	20 cm (8 in)
Opposed	3.175 mm (1/8-in) fibers, L9 lenses	> 150 cm (60 in) ¹
Opposed	3.175 mm (1/8-in) fibers, L16F lenses	> 150 cm (60 in) ¹
Diffuse	3.175 mm (1/8-in) fibers, no lenses	60 mm (2.5 in); distance to 90% reflectance white test card

D12DAB6FP—Sensing modes and minimum guaranteed ranges (6-foot fibers)

Mode	Plastic Fiber and Lens	Guaranteed Range (6-ft fibers)
Opposed	0.508 mm (0.020-in) fibers, no lenses	13 mm (0.5 in)
Diffuse	0.508 mm (0.020-in) fibers, no lenses	5 mm (0.2 in); distance to 90% reflectance white test card
Opposed	1.016 mm (0.040-in) fibers, no lenses	76 mm (3 in)
Opposed	1.016 mm (0.040-in) fibers, L2 lenses	76 cm (30 in)
Opposed	1.016 mm (0.040-in) fibers, L08 lenses	> 3 m (10 ft) ²
Diffuse	1.016 mm (0.040-in) fibers, no lenses	25 mm (1 in); distance to 90% reflectance white test card

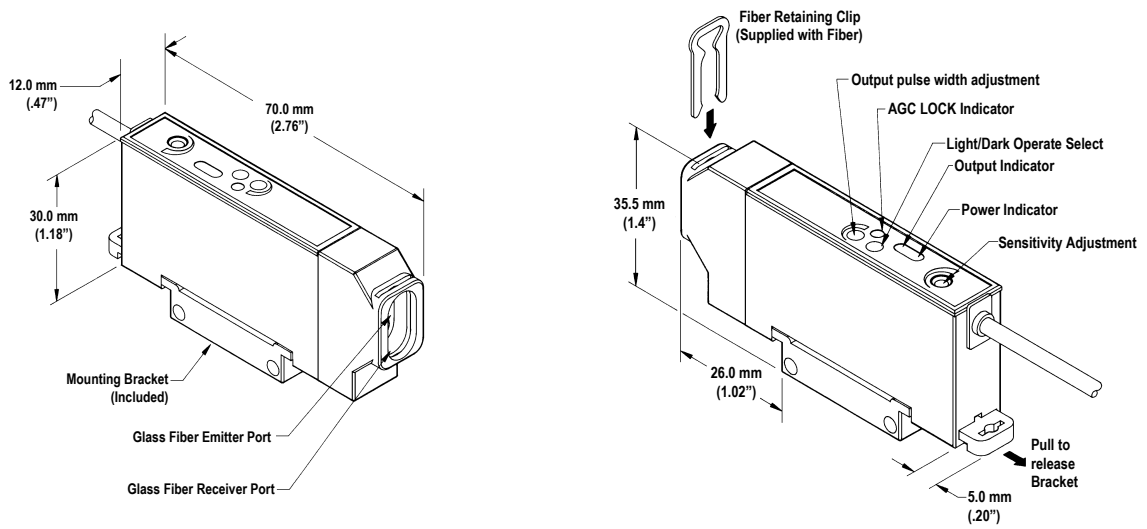
Dimensions

All measurements are listed in millimeters [inches], unless noted otherwise.

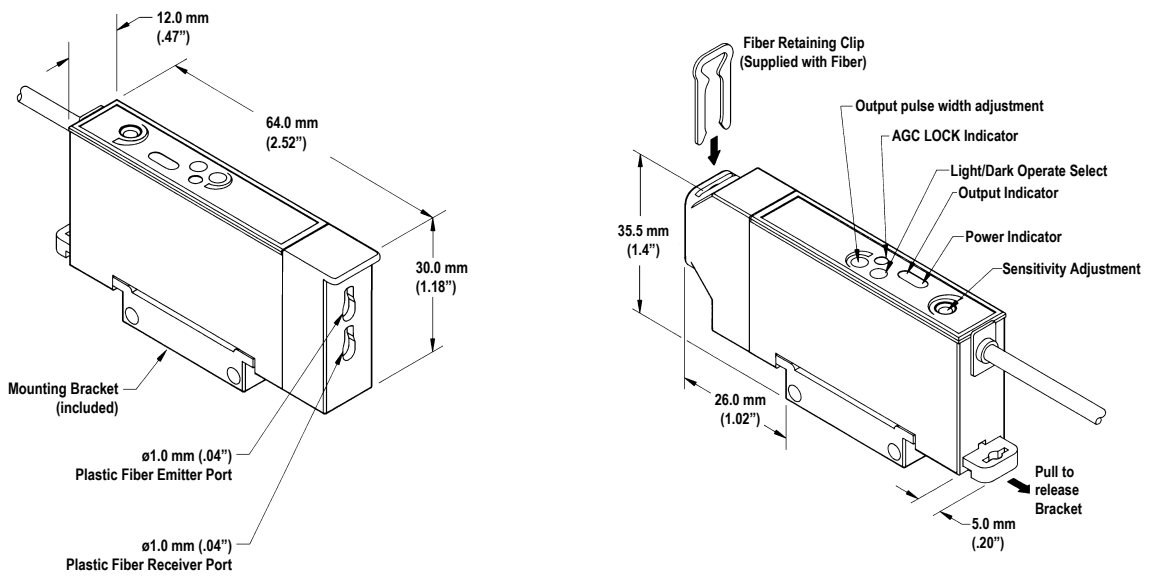
¹ Exceeds maximum practical separation of sensing ends for a pair of 3-foot individual fibers.

² Exceeds maximum practical separation of sensing ends for a pair of 6-foot individual fibers.

D12DAB6FV

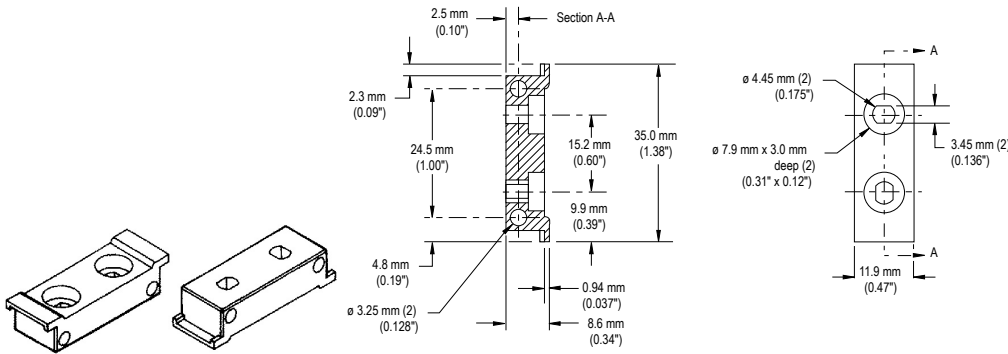


D12DAB6FP



Dimensions—D12 Bracket

D12 Sensors mount directly to a standard 35 mm DIN rail, or may be through-hole mounted using the supplied mounting bracket and stainless steel M3 × 0.5 hardware.



Accessories

D12 models with a quick-disconnect require a mating cable.

4-Pin Snap-on M8/Pico-Style Cordsets				
Model	Length	Style	Dimensions	Pinout (Female)
PKG4-2	2 m (6.56 ft)	Straight		
PKW4Z-2	2 m (6.56 ft)	Right-Angle		

Banner Engineering Corp. Limited Warranty

Banner Engineering Corp. warrants its products to be free from defects in material and workmanship for one year following the date of shipment. Banner Engineering Corp. will repair or replace, free of charge, any product of its manufacture which, at the time it is returned to the factory, is found to have been defective during the warranty period. This warranty does not cover damage or liability for misuse, abuse, or the improper application or installation of the Banner product.

THIS LIMITED WARRANTY IS EXCLUSIVE AND IN LIEU OF ALL OTHER WARRANTIES WHETHER EXPRESS OR IMPLIED (INCLUDING, WITHOUT LIMITATION, ANY WARRANTY OF MERCHANTABILITY OR FITNESS FOR A PARTICULAR PURPOSE), AND WHETHER ARISING UNDER COURSE OF PERFORMANCE, COURSE OF DEALING OR TRADE USAGE.

This Warranty is exclusive and limited to repair or, at the discretion of Banner Engineering Corp., replacement. IN NO EVENT SHALL BANNER ENGINEERING CORP. BE LIABLE TO BUYER OR ANY OTHER PERSON OR ENTITY FOR ANY EXTRA COSTS, EXPENSES, LOSSES, LOSS OF PROFITS, OR ANY INCIDENTAL, CONSEQUENTIAL OR SPECIAL DAMAGES RESULTING FROM ANY PRODUCT DEFECT OR FROM THE USE OR INABILITY TO USE THE PRODUCT, WHETHER ARISING IN CONTRACT OR WARRANTY, STATUTE, TORT, STRICT LIABILITY, NEGLIGENCE, OR OTHERWISE.

Banner Engineering Corp. reserves the right to change, modify or improve the design of the product without assuming any obligations or liabilities relating to any product previously manufactured by Banner Engineering Corp. Any misuse, abuse, or improper application or installation of this product or use of the product for personal protection applications when the product is identified as not intended for such purposes will void the product warranty. Any modifications to this product without prior express approval by Banner Engineering Corp will void the product warranties. All specifications published in this document are subject to change; Banner reserves the right to modify product specifications or update documentation at any time. Specifications and product information in English supersede that which is provided in any other language. For the most recent version of any documentation, refer to:

www.bannerengineering.com

X-ON Electronics

Largest Supplier of Electrical and Electronic Components

Click to view similar products for [Fibre Optic Sensors](#) category:

Click to view products by [Banner](#) manufacturer:

Other Similar products are found below :

[BTA23S](#) [IAT23S](#) [D12EN6FP](#) [BA23S](#) [BF13S](#) [BT21S](#) [IAT28S](#) [IT26S](#) [E32L56E1](#) [E32L56E2](#) [D12E2N6FP](#) [D12DAB6FPQ](#) [D12EP6FV](#)
[W/30](#) [PBT46UHT1](#) [D12SN6FVY](#) [FL-DR90W](#) [CCS-NFCB2-CC-3](#) [CCS-LFV3-35RD](#) [CCS-QBL-120120SW](#) [E3Z-T81-M1TJ-1 0.3M](#) [S7-4-](#)
[E-P](#) [CN-14A-R-C2](#) [CN-73-C1](#) [LL3-TB01](#) [FD-42G](#) [E32-D11L 2M](#) [E32-T11L 2M](#) [1830L3500MSC](#) [FX-101-CC2](#) [FX-101P](#) [FX-101P-CC2](#)
[FX-101P-Z](#) [FX-102-CC2](#) [D11SN6FP](#) [PBCL22T](#) [SM312FP1H](#) [FT-420-10](#) [WLL180T-P432](#) [FD-31](#) [FD-62](#) [E3X-NA41 2M](#) [FT-F93](#) [FX-](#)
[102P-CC2](#) [FX-502P](#) [FX-505P-C2](#) [E32-D32 2M](#) [CN-73-C2](#) [CN-24A-C5](#) [CN-24A-C2](#) [CN-14A-R-C5](#)