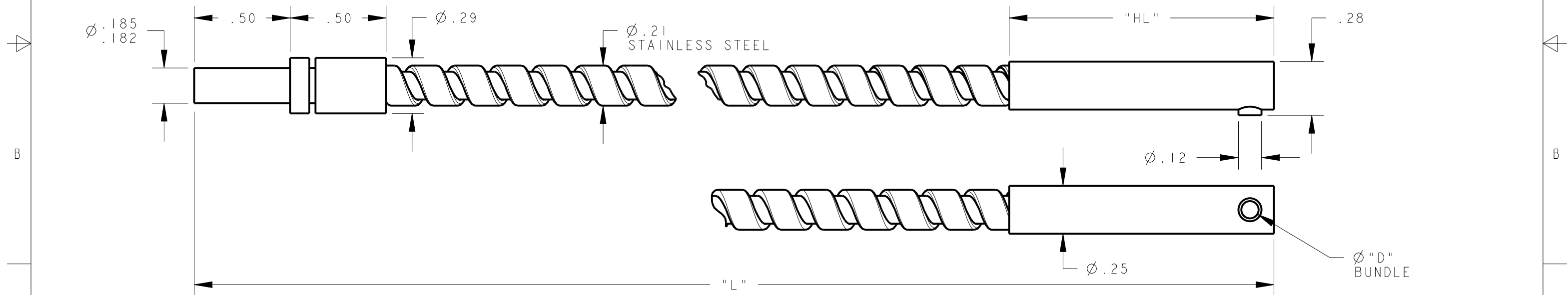


8	7	6	5	4	3	2	1		
MODEL NO.	"HL"	"L"	"D"	P/N	MODEL NO.	"HL"	"L"	"D"	P/N
IAI.53SMTAM600	1.38	36	.090	21568	IAI3SMTAM2.75	2.75	36	.062	21756
IA.754SMTA	1.38	48	.046	21494	IAI.62SMTA	1.38	24	.100	21752
IAI.58SMTA	1.38	96	.090	21479	IAI.53SMTAM2	2.00	36	.090	21662
IAI.52SMTA	1.38	24	.090	21423	IAI.520SMTA	1.38	240	.090	21636
IAI.55SMTA	1.38	60	.090	21424	IAI.53SMTAM3	3.00	36	.090	21573
IAI.56SMTA	1.38	72	.090	21427	IAI.39SMTAMCT	1.38	4.7 ±.1	.062	21572
IA.753SMTA	1.38	36	.046	21158					
IAI3SMTA	1.38	36	.062	21196					
IAI5SMTA	1.38	60	.062	21173					
IAI.54SMTA	1.38	48	.090	21223					
IAI.57SMTA	1.38	84	.090	21035					
IAI.53SMTA	1.38	36	.090	21056					

8	7	6	5	4	3	2	1		
MODEL NO.	"HL"	"L"	"D"	P/N	MODEL NO.	"HL"	"L"	"D"	P/N
IAI.53SMTAM600	1.38	36	.090	21568	IAI3SMTAM2.75	2.75	36	.062	21756
IA.754SMTA	1.38	48	.046	21494	IAI.62SMTA	1.38	24	.100	21752
IAI.58SMTA	1.38	96	.090	21479	IAI.53SMTAM2	2.00	36	.090	21662
IAI.52SMTA	1.38	24	.090	21423	IAI.520SMTA	1.38	240	.090	21636
IAI.55SMTA	1.38	60	.090	21424	IAI.53SMTAM3	3.00	36	.090	21573
IAI.56SMTA	1.38	72	.090	21427	IAI.39SMTAMCT	1.38	4.7 ±.1	.062	21572
IA.753SMTA	1.38	36	.046	21158					
IAI3SMTA	1.38	36	.062	21196					
IAI5SMTA	1.38	60	.062	21173					
IAI.54SMTA	1.38	48	.090	21223					
IAI.57SMTA	1.38	84	.090	21035					
IAI.53SMTA	1.38	36	.090	21056					

NOTES:

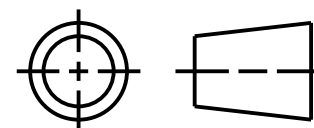
- 'M600' SUFFIX INDICATES THAT FIBERS POTTED ON ANGLED END WITH EPOXY THAT OPERATES IN MAX. TEMPERATURE OF 600°F.



- NOTES:
- ALL DIMENSIONS ARE MILLIMETERS [INCHES] UNLESS OTHERWISE NOTED.
 - REFER TO "www.bannerengineering.com" FOR ADDITIONAL DATA AND SPECIFICATIONS.

This drawing is the property of BANNER ENGINEERING CORP. Any use or reproduction, in any form, without prior written permission of Banner is prohibited. © 2015 Banner Engineering Corp.

THIRD ANGLE PROJECTION



		BANNER ENGINEERING CORP. www.bannerengineering.com	
IAI.5 SERIES SS TIGHT ANGLE			
SIZE B	DRAWING NO. 161915	REV. A	
SCALE 2:1		SHEET 1 OF 2	

8	7	6	5	4
MODEL NO.	"HL"	"L"	"D"	P/N
IAI15SMTA	1.38	180	.062	24482
IAI.515SMTA	1.38	180	.090	23533
IAI.5.5SMTA	1.38	6	.090	23924
IAI9SMTA	1.38	108	.062	23946
IAI.51.3SMTA	1.38	15	.090	23954
IAI.53.33SMTAM600	1.38	40	.090	00000
IAI.510.2SMTAM600	1.38	122	.090	00000
IAI.510SMTA	1.38	120	.090	24002
IAI.51.6SMTA	1.38	19	.090	24209
IAI10SMTA	1.38	120	.062	24291
IA.751SMTA	1.38	12	.046	24308
IAI.51.5SMTA	1.38	18	.090	00000
IA.443SMTA	1.38	36	.027	00000
IAI.5.6SMTA	1.38	7	.090	24440
IAI.59SMTA	1.38	108	.090	24605
IAI.83SMTA	1.38	10	.062	68574
IA.753SMTAM2.5	2.50	36	.046	00000
IAI.5.7SMTA	1.38	8	.090	00000
IA.751.3SMTAM600	1.38	15	.046	70242
IA.756SMTA	1.38	72	.046	70744
IAI.5.8SMTA	1.38	9	.090	70784
IA.56SMTA	1.38	72	.032	71646
IAI.56SMTAM600	1.38	72	.090	00000
IAI.7SMTA	1.38	8	.062	74026
IAI.51SMTA	1.38	12	.090	22691
IAI.8SMTA	1.38	9	.062	74208
IA.752SMTA	1.38	24	.046	22524
IAI1SMTA	1.38	12	.062	22409
IAI1.5SMTA	1.38	18	.062	22408
IAI12SMTA	1.38	144	.062	22183

8	7	6	5	4
MODEL NO.	"HL"	"L"	"D"	P/N
IAI.522SMTA	1.38	264	.090	93426
IAI6SMTA	1.38	72	.062	21828
IAI2.5SMTA	1.38	30	.062	17415
IA.751.5SMTA	1.38	18	.046	22714
IAI4SMTA	1.38	48	.062	68591
IAI.53SMTAM4.38	4.38	36	.090	22835
IAI.512SMTA	1.38	144	.090	22840
IAI3SMTAM600	1.38	36	.062	22984
IA.53SMTA	1.38	36	.032	23420
IAI.530SMTA	1.38	360	.090	23023
IAI.51.7SMTA	1.38	20	.090	23079
IAI.517SMTA	1.38	204	.090	23103
IAI1.2SMTA	1.38	14	.062	23235
IAI1.9SMTA	1.38	23	.062	23236
IAI3SMTAM2	2.00	36	.062	23258

NOTES:
1. ALL DIMENSIONS ARE MILLIMETERS [INCHES] UNLESS OTHERWISE NOTED.
2. REFER TO "www.bannerengineering.com" FOR ADDITIONAL DATA AND SPECIFICATIONS.

NOTES:

1. 'M600' SUFFIX INDICATES THAT FIBERS POTTED ON ANGLED END WITH EPOXY THAT OPERATES IN MAX. TEMPERATURE OF 600°F.

This drawing is the property of BANNER ENGINEERING CORP. Any use or reproduction, in any form, without prior written permission of Banner is prohibited.
© 2015 Banner Engineering Corp.

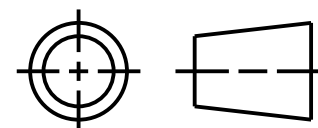
BANNER BANNER ENGINEERING CORP.
www.bannerengineering.com

TITLE
IAI.5 SERIES SS TIGHT ANGLE

SIZE B DRAWING NO. **161915** REV. **A**

SCALE 2:1 SHEET 2 OF 2

THIRD ANGLE PROJECTION



X-ON Electronics

Largest Supplier of Electrical and Electronic Components

Click to view similar products for [Fibre Optic Sensors](#) category:

Click to view products by [Banner](#) manufacturer:

Other Similar products are found below :

[BTA23S](#) [IAT23S](#) [D12EN6FP](#) [BA23S](#) [BF13S](#) [BT21S](#) [IAT28S](#) [IT26S](#) [E32L56E1](#) [E32L56E2](#) [D12E2N6FP](#) [D12DAB6FPQ](#) [D12EP6FV](#)
[W/30](#) [PBT46UHT1](#) [D12SN6FVY](#) [FL-DR90W](#) [CCS-NFCB2-CC-3](#) [CCS-LFV3-35RD](#) [CCS-QBL-120120SW](#) [E3Z-T81-M1TJ-1 0.3M](#) [S7-4-](#)
[E-P](#) [CN-14A-R-C2](#) [CN-73-C1](#) [LL3-TB01](#) [FD-42G](#) [E32-D11L 2M](#) [E32-T11L 2M](#) [1830L3500MSC](#) [FX-101-CC2](#) [FX-101P](#) [FX-101P-CC2](#)
[FX-101P-Z](#) [FX-102-CC2](#) [D11SN6FP](#) [PBCL22T](#) [SM312FP1H](#) [FT-420-10](#) [WLL180T-P432](#) [FD-31](#) [FD-62](#) [E3X-NA41 2M](#) [FT-F93](#) [FX-](#)
[102P-CC2](#) [FX-502P](#) [FX-505P-C2](#) [E32-D32 2M](#) [CN-73-C2](#) [CN-24A-C5](#) [CN-24A-C2](#) [CN-14A-R-C5](#)