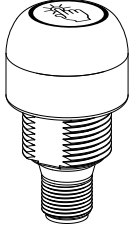


EZ-LIGHT® Touch Gen 2 K30 Series Illuminated Multipurpose Buttons



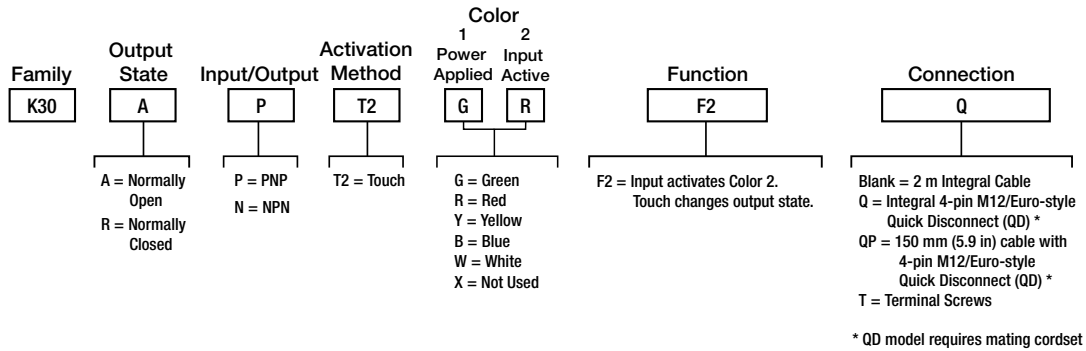
Datasheet

General Purpose Multicolor Indicator with Independent Momentary Touch Button Output



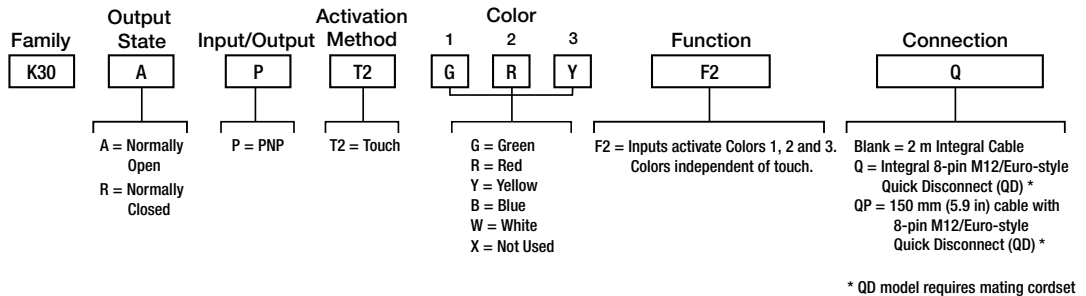
- Excellent immunity to false triggering by water spray, detergents, oils, and other foreign materials
- Rugged, cost-effective, and easy-to-install multicolor indicator with touch button
- Waterproof DIN IP69K construction for washdown environments
- Two or three independent colors in one unit: Color 3 overrides Colors 1 and 2, Color 2 overrides Color 1
- Available with PNP and NPN inputs/outputs, depending on model
- Ergonomically designed to eliminate hand, wrist, and arm stresses associated with repeated switch operation; require no physical force to operate
- Can be actuated with bare hands or gloves
- Five color options available
- 12 V dc to 30 V dc operation
- Terminal connection models available for panel wiring applications

Models: 1 and 2 Colors



Sample Model	Description
K30APT2XRF2Q	Normally open output state, momentary output function, PNP input and output. Color 1: None, Color 2: Red input active; touch changes output state. Integral 4-pin M12/Euro-style quick disconnect.
K30ANT2GRF2T	Normally open output state, momentary output function, NPN input and output. Color 1: Green; power applied, Color 2: Red input active; touch changes output state. Terminal screws.

Models: 3 Color

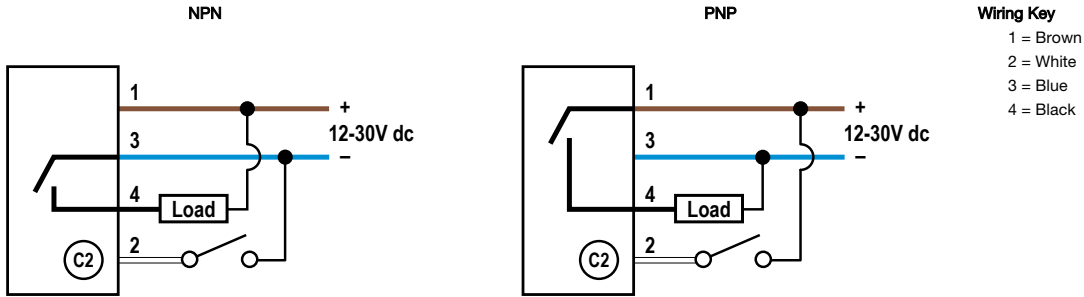


Sample Model	Description
K30APT2GRYF2Q	Normally open output state, momentary output function, PNP input and output. Color 1: Green, Color 2: Red, Color 3: Yellow. Color 3 overrides colors 1 and 2, color 2 overrides color 1. Touch changes output state. Integral 8-pin M12/Euro-style quick disconnect.

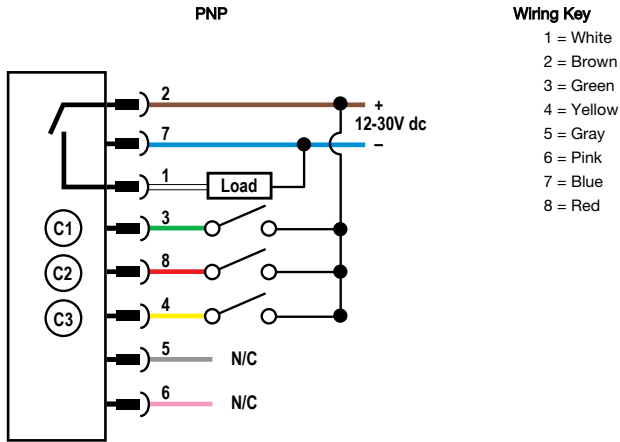


Wiring

1 and 2 Color Models



3 Color Model



Note: Cabled wiring diagrams are shown. Quick disconnect wiring diagrams are functionally identical.

Specifications

Supply Voltage

12 V dc to 30 V dc

Supply Current

55 mA max current (exclusive of load)

Supply Protection Circuitry

Protected against reverse polarity and transient voltages

Touch Dwell Time

If a touch dwells for longer than 60 seconds, the output will revert back to the untouched state.

Output Rating

Maximum Load: 150 mA
 ON-state saturation voltage: < 2 V dc at 10 mA; < 2.5 V dc at 150 mA
 OFF-state leakage current: < 10 µA at 30 V dc

Output Response Time

150 milliseconds On and Off

Power-Up Delay

300 milliseconds

Connections

Integral 4-pin or 8-pin M12/Euro-style male quick disconnect (QD); 2 m (6.5 ft) PVC integral cable; 150 mm (6 in) PVC cable with a 4-pin or 8-pin M12/Euro-style male quick disconnect (QD)

Construction

Housing: polycarbonate
 Translucent dome: polycarbonate
 Mounting nut: PBT

Mounting

M22 × 1.5 Threaded base, max torque 2.25 N-m (20 in-lbf)

Indicator Characteristics

Color	Dominant Wavelength (nm) or Color Temperature (CCT)	Lumen Output (Typical at 25 °C)
Green	520 - 535nm	4.4
Red	620 - 630nm	1.7
Yellow	585 - 595nm	4.4
Blue	465 - 475nm	1.0
White	5665 - 9000K	5.0

Environmental Rating

Rated IEC IP67, DIN IP69K
 Cabled models also meet DIN IP69K if the cable and cable entrance are protected from high-pressure spray. Indicator side of terminal models meet IEC IP67, and DIN IP69K when installed in an enclosure.
 Screw connection points meet IEC IP00.
 Meets UL type 4X and 13, when used in a suitable enclosure.

Operating Conditions

-40 °C to +50 °C (-40 °F to +122 °F)
 90% at +50 °C maximum relative humidity (non-condensing)

Storage Temperature

-40 °C to +70 °C (-40 °F to +158 °F)

Vibration and Mechanical Shock

Vibration 10 Hz to 55 Hz 1.0 mm p-p amplitude per IEC 60068-2-6
 Shock 30G 11 ms duration, half sine wave per IEC 60068-2-27

Certifications



Required Overcurrent Protection



WARNING: Electrical connections must be made by qualified personnel in accordance with local and national electrical codes and regulations.

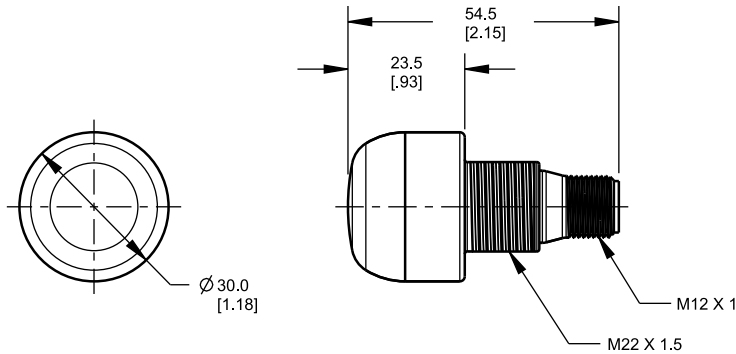
Overcurrent protection is required to be provided by end product application per the supplied table.
 Overcurrent protection may be provided with external fusing or via Current Limiting, Class 2 Power Supply.
 Supply wiring leads < 24 AWG shall not be spliced.
 For additional product support, go to www.bannerengineering.com.

Supply Wiring (AWG)	Required Overcurrent Protection (Amps)
20	5.0
22	3.0
24	2.0
26	1.0
28	0.8
30	0.5

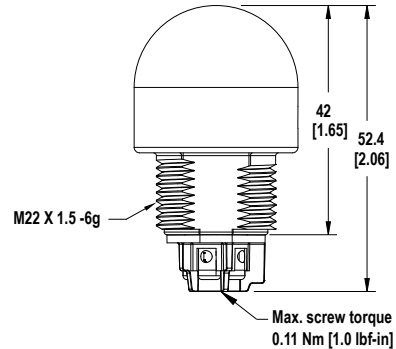
Dimensions

All measurements are listed in millimeters [inches], unless noted otherwise.

Quick-Disconnect Models

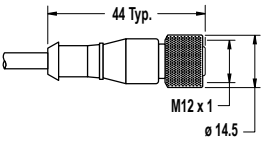
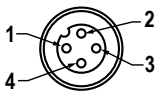
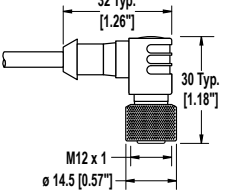


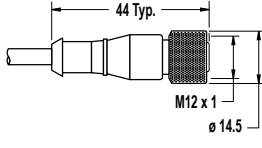
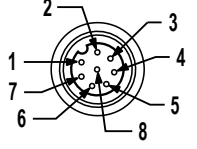
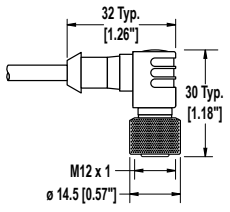
Terminal Models



Accessories

Cordsets

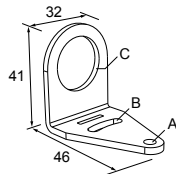
4-Pin Threaded M12/Euro-Style Cordsets				
Model	Length	Style	Dimensions	Pinout (Female)
MQDC-406	1.83 m (6 ft)	Straight		 <p>1 = Brown 2 = White 3 = Blue 4 = Black</p>
MQDC-415	4.57 m (15 ft)			
MQDC-430	9.14 m (30 ft)			
MQDC-450	15.2 m (50 ft)			
MQDC-406RA	1.83 m (6 ft)	Right-Angle		
MQDC-415RA	4.57 m (15 ft)			
MQDC-430RA	9.14 m (30 ft)			
MQDC-450RA	15.2 m (50 ft)			

8-Pin Threaded M12/Euro-Style Cordsets with Open-Shield				
Model	Length	Style	Dimensions	Pinout (Female)
MQDC2S-806	1.83 m (6 ft)	Straight		 <p>1 = White 2 = Brown 3 = Green 4 = Yellow 5 = Gray 6 = Pink 7 = Blue 8 = Red</p>
MQDC2S-815	4.57 m (15 ft)			
MQDC2S-830	9.14 m (30 ft)			
MQDC2S-850	15.2 m (50 ft)			
MQDC2S-806RA	1.83 m (6 ft)	Right-Angle		
MQDC2S-815RA	4.57 m (15 ft)			
MQDC2S-830RA	9.14 m (30 ft)			
MQDC2S-850RA	15.2 m (50 ft)			

Brackets

SMB22A

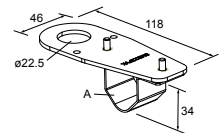
- Right-angle bracket with curved slot for versatile orientation
- 12-ga. stainless steel
- Mounting hole for 22 mm sensor



Hole center spacing: A to B = 26.0
Hole size: A = ø 4.6, B = 4.6 x 16.9, C = 22.2

SMB22FVK

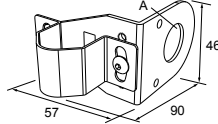
- V-clamp, flat bracket and fasteners for mounting to pipe or extensions
- Clamp accommodates 28 mm diameter tubing or 1 in. square extrusions
- 22 mm hole for mounting sensor



Hole size: A = ø 22.5

SMB22RAVK

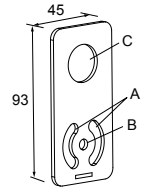
- V-clamp, right-angle bracket and fasteners for mounting to pipe or extensions
- Clamp accommodates 28 mm diameter tubing or 1 in. square extrusions
- 22 mm hole for mounting sensor



Hole size: A = ϕ 22.5

SMBAMS22P

- Flat SMBAMS series bracket with 22 mm hole for mounting sensors
- Articulation slots for 90+° rotation
- 12-ga. (2.6 mm) cold-rolled steel

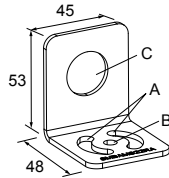


Hole center spacing: A = 26.0, A to B = 13.0

Hole size: A = 26.8 x 7.0, B = ϕ 6.5, C = ϕ 22.5

SMBAMS22RA

- Right-angle SMBAMS series bracket with 22 mm hole for mounting sensors
- Articulation slots for 90+° rotation
- 12-ga. (2.6 mm) cold-rolled steel

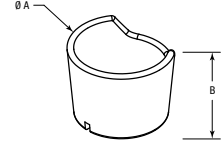


Hole center spacing: A = 26.0, A to B = 13.0

Hole size: A = 26.8 x 7.0, B = ϕ 6.5, C = ϕ 22.5

TC-K30-CL

- Touch cover



Diameter: A = 40.7

Height: B = 31

All measurements are listed in millimeters, unless noted otherwise.

Banner Engineering Corp. Limited Warranty

Banner Engineering Corp. warrants its products to be free from defects in material and workmanship for one year following the date of shipment. Banner Engineering Corp. will repair or replace, free of charge, any product of its manufacture which, at the time it is returned to the factory, is found to have been defective during the warranty period. This warranty does not cover damage or liability for misuse, abuse, or the improper application or installation of the Banner product.

THIS LIMITED WARRANTY IS EXCLUSIVE AND IN LIEU OF ALL OTHER WARRANTIES WHETHER EXPRESS OR IMPLIED (INCLUDING, WITHOUT LIMITATION, ANY WARRANTY OF MERCHANTABILITY OR FITNESS FOR A PARTICULAR PURPOSE), AND WHETHER ARISING UNDER COURSE OF PERFORMANCE, COURSE OF DEALING OR TRADE USAGE.

This Warranty is exclusive and limited to repair or, at the discretion of Banner Engineering Corp., replacement. **IN NO EVENT SHALL BANNER ENGINEERING CORP. BE LIABLE TO BUYER OR ANY OTHER PERSON OR ENTITY FOR ANY EXTRA COSTS, EXPENSES, LOSSES, LOSS OF PROFITS, OR ANY INCIDENTAL, CONSEQUENTIAL OR SPECIAL DAMAGES RESULTING FROM ANY PRODUCT DEFECT OR FROM THE USE OR INABILITY TO USE THE PRODUCT, WHETHER ARISING IN CONTRACT OR WARRANTY, STATUTE, TORT, STRICT LIABILITY, NEGLIGENCE, OR OTHERWISE.**

Banner Engineering Corp. reserves the right to change, modify or improve the design of the product without assuming any obligations or liabilities relating to any product previously manufactured by Banner Engineering Corp. Any misuse, abuse, or improper application or installation of this product or use of the product for personal protection applications when the product is identified as not intended for such purposes will void the product warranty. Any modifications to this product without prior express approval by Banner Engineering Corp will void the product warranties. All specifications published in this document are subject to change; Banner reserves the right to modify product specifications or update documentation at any time. Specifications and product information in English supersede that which is provided in any other language. For the most recent version of any documentation, refer to: www.bannerengineering.com.

FCC Part 15 and CAN ICES-3 (B)/NMB-3(B)

This device complies with part 15 of the FCC Rules and CAN ICES-3 (B)/NMB-3(B). Operation is subject to the following two conditions:

1. This device may not cause harmful interference, and
2. This device must accept any interference received, including interference that may cause undesired operation.

This equipment has been tested and found to comply with the limits for a Class B digital device, pursuant to part 15 of the FCC Rules and CAN ICES-3 (B)/NMB-3(B). These limits are designed to provide reasonable protection against harmful interference in a residential installation. This equipment generates, uses and can radiate radio frequency energy and, if not installed and used in accordance with the instructions, may cause harmful interference to radio communications. However, there is no guarantee that interference will not occur in a particular installation. If this equipment does cause harmful interference to radio or television reception, which can be determined by turning the equipment off and on, the user is encouraged to try to correct the interference by one or more of the following measures:

- Reorient or relocate the receiving antenna.
- Increase the separation between the equipment and receiver.
- Connect the equipment into an outlet on a circuit different from that to which the receiver is connected.
- Consult the manufacturer.

X-ON Electronics

Largest Supplier of Electrical and Electronic Components

Click to view similar products for [Beacons](#) category:

Click to view products by [Banner](#) manufacturer:

Other Similar products are found below :

[K50APTWXDQ](#) [K50ABT2XGH](#) [K50APT2GXDQ](#) [K50ABTGRHQ](#) [K50APT2FGRYF2QP](#) [K50LGRYPPB1Q](#) [K50APTGRCQ](#)
[K50APTGRYF2](#) [K50ABT2GYHQ](#) [K50APTGRYC3Q](#) [K50APT2GREQP](#) [K50APT2GRYF2Q](#) [K100PBLGYRQ](#) [K30LGRYPPB2](#)
[K30APPBGREQP](#) [K30APT2FGRYF2QP](#) [K30LGRXPPB2Q](#) [K30LGRYPPB2Q](#) [K30APT2RGF2](#) [K30APTXRQF2](#) [K30APTXXWF2](#)
[K30PTALRGB7](#) [K30PTAMGRY3QP](#) [K30PTALGRY3Q](#) [K30PTAMGRY3Q](#) [K30PTALRGB7Q](#) [K30PTAMRGB7Q](#) [K50APPBGRYF2Q8](#)
[K50BCLXRXPQ](#) [K50BCLS1XYXPQ](#) [K50BCLGRBP](#) [K50BCLXGXP](#) [K50BCLS1XRXPQ](#) [K50BLGRXPQ](#) [K50LGRYPPB2](#)
[K50LGXXPPB2Q](#) [K50LGRXPPB2Q](#) [K50LBXXPPB2Q](#) [K50LGYXPPB2Q](#) [K50PBLSQ](#) [K50PBLRQGB7Q](#) [K50PFF100AMGRY3Q](#)
[K50PTAMGRY3](#) [K50PTAMGRY3AQP](#) [K50PTKAQ](#) [K50PTAMGRY3AQ](#) [K50PTAMRGB7AQ](#) [K50PTCAMGRY3AQ](#)
[K50PTCAMGRY3Q-812166](#) [K50PTCAMGRY3Q](#)