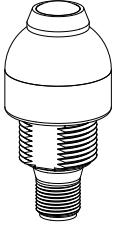


EZ-LIGHT® K30L Series With Independent Push Button Contact



Datasheet

Compact Indicator with One, Two, or Three Colors and a Momentary Push Button Output



- Rugged, cost-effective and easy-to-install multicolor indicator light with pushbutton
- Waterproof IP65 construction for washdown environments
- Excellent for panel mounting or as a stand-alone device
- Immune to EMI and RFI interference
- 10 to 30V dc operation
- Cabled and Quick Disconnect models available
- Up to 3 independent colors in one unit



WARNING: Not To Be Used for Personnel Protection

Never use this device as a sensing device for personnel protection. Doing so could lead to serious injury or death. This device does not include the self-checking redundant circuitry necessary to allow its use in personnel safety applications. A sensor failure or malfunction can cause either an energized or de-energized sensor output condition.

Models

Family	Color 1	Color 2	Color 3	Input	Output	Connector ¹
K30L	G	R	Y	P	PB2	Q
MODEL KEY	G = Green R = Red Y = Yellow B = Blue W = White	O = Orange T = Turquoise V = Violet M = Magenta X = No color in this position		P = PNP	PB2 = Momentary Push Button	Q = Integral M12/Euro-style QD Blank = 2 m (6.5 ft) PVC cable QP = 150 mm (6 in) PVC cable with M12/Euro-style QD

Example Model	# of LED Colors	LED Indicators	Connection
K30LGXXPPB2Q	1	Green	4-pin M12/Euro-style integral QD
K30LRXXPPB2Q		Red	
K30LGRXPPB2Q	2	Green, Red	5-pin M12/Euro-style integral QD
K30LGYXPPB2Q		Green, Yellow	
K30LGRYPPB2Q	3	Green, Red, Yellow	8-pin M12/Euro-style integral QD

Installation

Install the K30 sensor at such a height and in a location that will be easy for the user and/or supervisor to see the indicator and comfortable for the user to press the push-button.

¹ Integral quick disconnect models are listed.

- To order the 2 m (6.5 ft) PVC cable model, omit the suffix "Q" in the model number. For example, K30LGXXPPB2
- To order the 150 mm (6 in) PVC cable model, replace the suffix "Q" with "QP" in the model number. For example, K30LGYXPPB2QP
- Models with a quick disconnect require a mating cordset.



Wiring

4-Pin Models							
<p>Sourcing (PNP) Input</p>	<p>Key</p> <table> <tr> <td>1 = Brown</td> <td>4 = Black</td> </tr> <tr> <td>2 = White</td> <td>C1 = Color 1</td> </tr> <tr> <td>3 = Blue</td> <td>PB = Push Button</td> </tr> </table>	1 = Brown	4 = Black	2 = White	C1 = Color 1	3 = Blue	PB = Push Button
1 = Brown	4 = Black						
2 = White	C1 = Color 1						
3 = Blue	PB = Push Button						

5-Pin Models									
<p>Sourcing (PNP) Input</p>	<p>Key</p> <table> <tr> <td>1 = Brown</td> <td>5 = Gray</td> </tr> <tr> <td>2 = White</td> <td>C1 = Color 1</td> </tr> <tr> <td>3 = Blue</td> <td>C2 = Color 2</td> </tr> <tr> <td>4 = Black</td> <td>PB = Push Button</td> </tr> </table>	1 = Brown	5 = Gray	2 = White	C1 = Color 1	3 = Blue	C2 = Color 2	4 = Black	PB = Push Button
1 = Brown	5 = Gray								
2 = White	C1 = Color 1								
3 = Blue	C2 = Color 2								
4 = Black	PB = Push Button								

8-Pin Models													
<p>Sourcing (PNP) Input</p>	<p>Key</p> <table> <tr> <td>1 = White</td> <td>7 = Blue</td> </tr> <tr> <td>2 = Brown</td> <td>8 = Red (not used)</td> </tr> <tr> <td>3 = Green (not used)</td> <td>C1 = Color 1</td> </tr> <tr> <td>4 = Yellow</td> <td>C2 = Color 2</td> </tr> <tr> <td>5 = Gray</td> <td>C3 = Color 3</td> </tr> <tr> <td>6 = Pink</td> <td>PB = Push Button</td> </tr> </table>	1 = White	7 = Blue	2 = Brown	8 = Red (not used)	3 = Green (not used)	C1 = Color 1	4 = Yellow	C2 = Color 2	5 = Gray	C3 = Color 3	6 = Pink	PB = Push Button
1 = White	7 = Blue												
2 = Brown	8 = Red (not used)												
3 = Green (not used)	C1 = Color 1												
4 = Yellow	C2 = Color 2												
5 = Gray	C3 = Color 3												
6 = Pink	PB = Push Button												

Specifications

Supply Voltage and Current

10 V dc to 30 V dc at 40 mA maximum per LED color

Supply Protection Circuitry

Protected against reverse polarity and transient voltages

Indicator Response Time

ON/OFF: 1 ms maximum

Switch Contact Rating

150 mA at 30 V dc

Contact Bounce

10 ms max.

Environmental Rating

IEC IP65

Enclosure Type 13

Construction

Base: polycarbonate

Translucent dome: polycarbonate

Push button: thermoplastic

Mounting Torque

2.25 Nm (20 in-lbf) max.

Connections

Integral M12/Euro-style quick disconnect (OD), 2 m (6.5 ft) unterminated PVC-jacketed cable or 150 mm (6 in) PVC cable with a quick disconnect (OD), depending on the model ordered

Operating Conditions

-40 °C to +50 °C (-40 °F to +122 °F)

90% at +50 °C maximum relative humidity (non-condensing)

Storage Temperature: -40 °C to +70 °C (-40 °F to +158 °F)

Required Overcurrent Protection



WARNING: Electrical connections must be made by qualified personnel in accordance with local and national electrical codes and regulations.

Overcurrent protection is required to be provided by end product application per the supplied table.

Overcurrent protection may be provided with external fusing or via Current Limiting, Class 2 Power Supply.

Supply wiring leads < 24 AWG shall not be spliced.

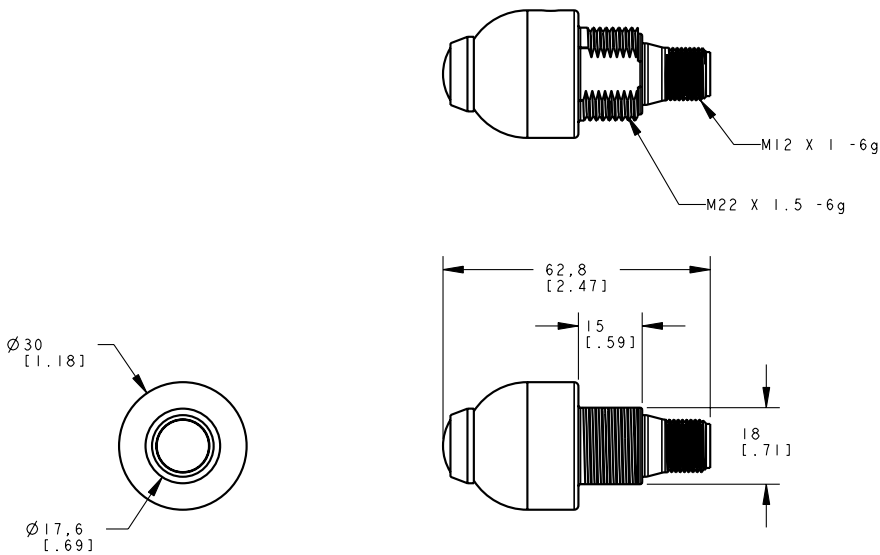
For additional product support, go to www.bannerengineering.com.

Supply Wiring (AWG)	Required Overcurrent Protection (Amps)
20	5.0
22	3.0
24	2.0
26	1.0
28	0.8
30	0.5

Certifications



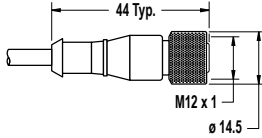
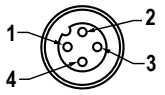
Dimensions

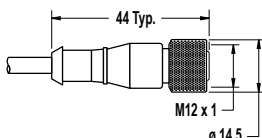
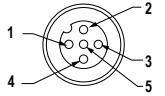
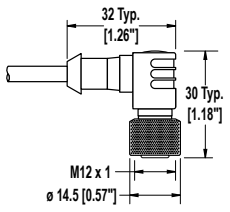


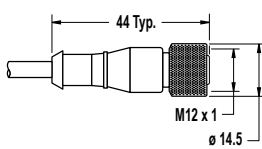
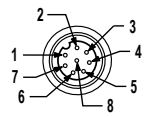
All measurements are listed in millimeters [inches], unless noted otherwise.

Accessories

Quick-Disconnect (QD) Cordsets

4-Pin Threaded M12/Euro-Style Cordsets				
Model	Length	Style	Dimensions	Pinout (Female)
MQDC-406	1.83 m (6 ft)	Straight		 <p>1 = Brown 2 = White 3 = Blue 4 = Black</p>
MQDC-415	4.57 m (15 ft)			
MQDC-430	9.14 m (30 ft)			
MQDC-450	15.2 m (50 ft)			

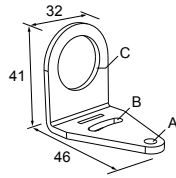
5-Pin Threaded M12/Euro-Style Cordsets—Single Ended				
Model	Length	Style	Dimensions	Pinout (Female)
MQDC1-501.5	0.50 m (1.5 ft)	Straight		 <p>1 = Brown 2 = White 3 = Blue 4 = Black 5 = Gray</p>
MQDC1-506	1.83 m (6 ft)			
MQDC1-515	4.57 m (15 ft)			
MQDC1-530	9.14 m (30 ft)			
MQDC1-530RA	9.14 m (30 ft)	Right-Angle		
MQDC1-506RA	1.83 m (6 ft)			
MQDC1-515RA	4.57 m (15 ft)			

8-Pin Threaded M12/Euro-Style Cordsets with Shield				
Model	Length	Style	Dimensions	Pinout (Female)
MQDC-806	1.83 m (6 ft)	Straight		 <p>1 = White 2 = Brown 3 = Green 4 = Yellow 5 = Gray 6 = Pink 7 = Blue 8 = Shield</p>
MQDC-815	4.57 m (15 ft)			
MQDC-830	9.14 m (30 ft)			

Brackets

SMB22A

- Right-angle bracket with curved slot for versatile orientation
- 12-ga. stainless steel
- Mounting hole for 22 mm sensor



Hole center spacing: A to B = 26.0

Hole size: A = \varnothing 4.6, B = 4.6 x 16.9, C = 22.2

Banner Engineering Corp. Limited Warranty

Banner Engineering Corp. warrants its products to be free from defects in material and workmanship for one year following the date of shipment. Banner Engineering Corp. will repair or replace, free of charge, any product of its manufacture which, at the time it is returned to the factory, is found to have been defective during the warranty period. This warranty does not cover damage or liability for misuse, abuse, or the improper application or installation of the Banner product.

THIS LIMITED WARRANTY IS EXCLUSIVE AND IN LIEU OF ALL OTHER WARRANTIES WHETHER EXPRESS OR IMPLIED (INCLUDING, WITHOUT LIMITATION, ANY WARRANTY OF MERCHANTABILITY OR FITNESS FOR A PARTICULAR PURPOSE), AND WHETHER ARISING UNDER COURSE OF PERFORMANCE, COURSE OF DEALING OR TRADE USAGE.

This Warranty is exclusive and limited to repair or, at the discretion of Banner Engineering Corp., replacement. IN NO EVENT SHALL BANNER ENGINEERING CORP. BE LIABLE TO BUYER OR ANY OTHER PERSON OR ENTITY FOR ANY EXTRA COSTS, EXPENSES, LOSSES, LOSS OF PROFITS, OR ANY INCIDENTAL, CONSEQUENTIAL OR SPECIAL DAMAGES RESULTING FROM ANY PRODUCT DEFECT OR FROM THE USE OR INABILITY TO USE THE PRODUCT, WHETHER ARISING IN CONTRACT OR WARRANTY, STATUTE, TORT, STRICT LIABILITY, NEGLIGENCE, OR OTHERWISE.

Banner Engineering Corp. reserves the right to change, modify or improve the design of the product without assuming any obligations or liabilities relating to any product previously manufactured by Banner Engineering Corp. Any misuse, abuse, or improper application or installation of this product or use of the product for personal protection applications when the product is identified as not intended for such purposes will void the product warranty. Any modifications to this product without prior express approval by Banner Engineering Corp will void the product warranties. All specifications published in this document are subject to change; Banner reserves the right to modify product specifications or update documentation at any time. Specifications and product information in English supersede that which is provided in any other language. For the most recent version of any documentation, refer to: www.bannerengineering.com.

X-ON Electronics

Largest Supplier of Electrical and Electronic Components

Click to view similar products for [Beacons](#) category:

Click to view products by [Banner](#) manufacturer:

Other Similar products are found below :

[K50APTWXDQ](#) [K50ABT2XGH](#) [K50APT2GXDQ](#) [K50ABTGRHQ](#) [K50APT2FGRYF2QP](#) [K50LGRYPPB1Q](#) [K50APTGRCQ](#)
[K50APTGRYF2](#) [K50ABT2GYHQ](#) [K50APTGRYC3Q](#) [K50APT2GREQP](#) [K50APT2GRYF2Q](#) [K100PBLGYRQ](#) [K30LGRYPPB2](#)
[K30APPBGREQP](#) [K30APT2FGRYF2QP](#) [K30LGRXPPB2Q](#) [K30LGRYPPB2Q](#) [K30APT2RGF2](#) [K30APTXRQF2](#) [K30APTXXWF2](#)
[K30PTALRGB7](#) [K30PTAMGRY3QP](#) [K30PTALGRY3Q](#) [K30PTAMGRY3Q](#) [K30PTALRGB7Q](#) [K30PTAMRGB7Q](#) [K50APPBGRYF2Q8](#)
[K50BCLXRXPQ](#) [K50BCLS1XYXPQ](#) [K50BCLGRBP](#) [K50BCLXGXP](#) [K50BCLS1XRXPQ](#) [K50BLGRXPQ](#) [K50LGRYPPB2](#)
[K50LGXXPPB2Q](#) [K50LGRXPPB2Q](#) [K50LBXXPPB2Q](#) [K50LGYXPPB2Q](#) [K50PBLSQ](#) [K50PBLRQGB7Q](#) [K50PFF100AMGRY3Q](#)
[K50PTAMGRY3](#) [K50PTAMGRY3AQP](#) [K50PTKAQ](#) [K50PTAMGRY3AQ](#) [K50PTAMRGB7AQ](#) [K50PTCAMGRY3AQ](#)
[K50PTCAMGRY3Q-812166](#) [K50PTCAMGRY3Q](#)