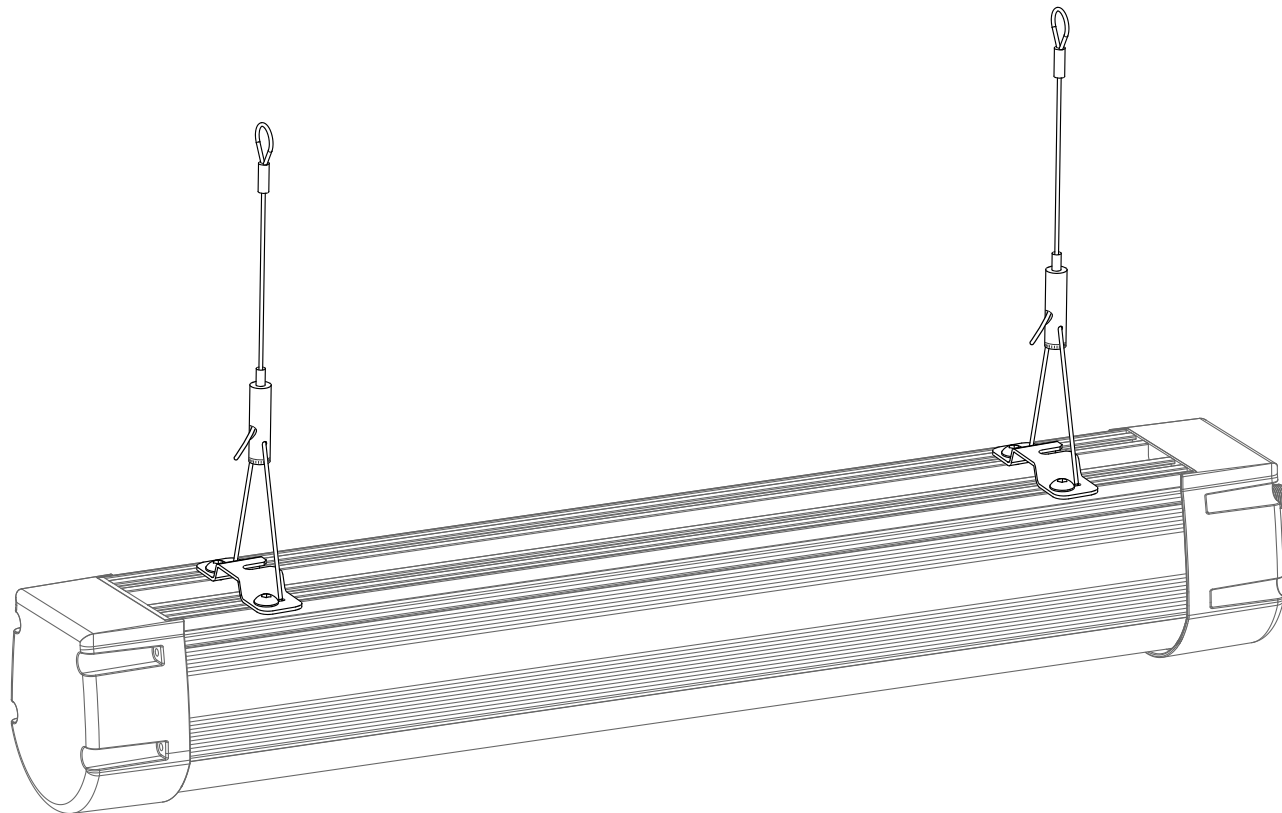


Hanging Bracket Kit

Datasheet

Hanging bracket kit for the WLB92 series of work light



Model: LMBWLB92HK5



CAUTION: This lighting system is not intended for outdoor installations or chemical-laden environments.



Important: Lea el siguiente instructivo antes de operar el luminario. Por favor descargue desde www.bannerengineering.com toda la documentación técnica de los Hanging Bracket Kit, disponibles en múltiples idiomas, para detalles del uso adecuado, aplicaciones, advertencias, y las instrucciones de instalación de estos dispositivos.

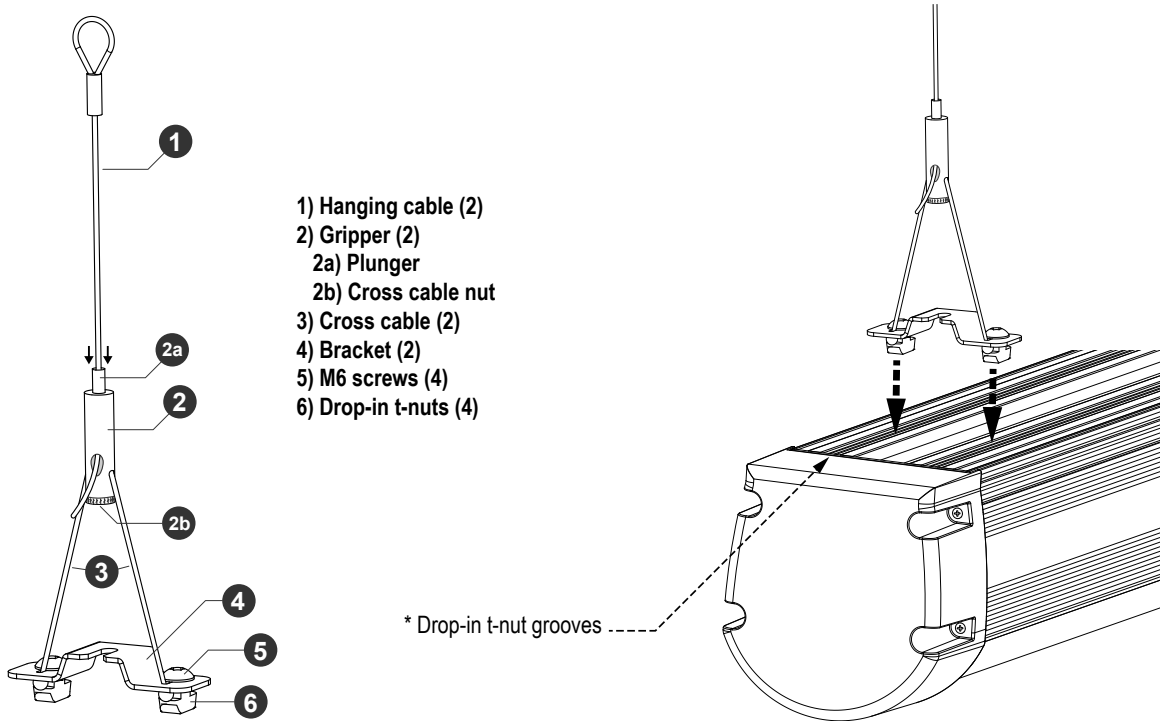


Important: Lisez les instructions suivantes avant d'utiliser le luminaire. Veuillez télécharger la documentation technique complète des Hanging Bracket Kit sur notre site www.bannerengineering.com pour les détails sur leur utilisation correcte, les applications, les notes de sécurité et les instructions de montage.



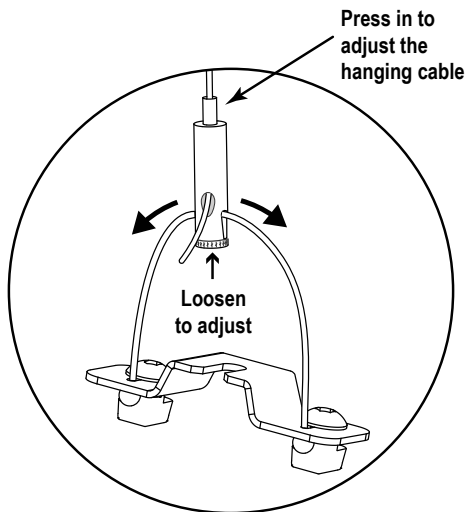
Installing and Adjusting the WLB92 Hanging Bracket Kit

To install the hanging bracket kit, assemble the bracket components as shown.



When feeding the cable through the gripper, allow at least one inch of cable beyond the gripper. Do not feed any excess cable into the light housing. To adjust the gripper position:

1. Lift all weight off the gripper.
2. Press the plunger to release the cable.
3. Slide the gripper to a new position.
4. Release the plunger.
5. Tighten the cross cable nut manually.



Drop-in t-nuts are automatically secured inside the grooves when they are tightened.

Banner Engineering Corp Limited Warranty

Banner Engineering Corp. warrants its products to be free from defects in material and workmanship for one year following the date of shipment. Banner Engineering Corp. will repair or replace, free of charge, any product of its manufacture which, at the time it is returned to the factory, is found to have been defective during the warranty period. This warranty does not cover damage or liability for misuse, abuse, or the improper application or installation of the Banner product.

THIS LIMITED WARRANTY IS EXCLUSIVE AND IN LIEU OF ALL OTHER WARRANTIES WHETHER EXPRESS OR IMPLIED (INCLUDING, WITHOUT LIMITATION, ANY WARRANTY OF MERCHANTABILITY OR FITNESS FOR A PARTICULAR PURPOSE), AND WHETHER ARISING UNDER COURSE OF PERFORMANCE, COURSE OF DEALING OR TRADE USAGE.

This Warranty is exclusive and limited to repair or, at the discretion of Banner Engineering Corp., replacement. **IN NO EVENT SHALL BANNER ENGINEERING CORP. BE LIABLE TO BUYER OR ANY OTHER PERSON OR ENTITY FOR ANY EXTRA COSTS, EXPENSES, LOSSES, LOSS OF PROFITS, OR ANY INCIDENTAL, CONSEQUENTIAL OR SPECIAL DAMAGES RESULTING FROM ANY PRODUCT DEFECT OR FROM THE USE OR INABILITY TO USE THE PRODUCT, WHETHER ARISING IN CONTRACT OR WARRANTY, STATUTE, TORT, STRICT LIABILITY, NEGLIGENCE, OR OTHERWISE.**

Banner Engineering Corp. reserves the right to change, modify or improve the design of the product without assuming any obligations or liabilities relating to any product previously manufactured by Banner Engineering Corp. Any misuse, abuse, or improper application or installation of this product or use of the product for personal protection applications when the product is identified as not intended for such purposes will void the product warranty. Any modifications to this product without prior express approval by Banner Engineering Corp will void the product warranties. All specifications published in this document are subject to change; Banner reserves the right to modify product specifications or update documentation at any time. Specifications and product information in English supersede that which is provided in any other language. For the most recent version of any documentation, refer to: www.bannerengineering.com.

For patent information, see www.bannerengineering.com/patents.

Mexican Importer

Banner Engineering de México, S. de R.L. de C.V.
David Alfaro Siqueiros 103 Piso 2 Valle oriente
San Pedro Garza García Nuevo León, C. P. 66269
81 8363.2714



more sensors, more solutions

X-ON Electronics

Largest Supplier of Electrical and Electronic Components

Click to view similar products for [LED Mounting Hardware](#) category:

Click to view products by [Banner](#) manufacturer:

Other Similar products are found below :

[00624750](#) [990-4901-010](#) [990-8115-001](#) [CMP22](#) [C-101](#) [LDN51-125SL/BT](#) [SN3486](#) [26-0053](#) [TC4-R-](#) [SLQ16](#) [LM6-2](#) [LM12-1](#) [LM10-1](#)
[SMBPPF1](#) [SMBPPFB](#) [CM00624900](#) [LEDH-101C-34](#) [LEDS2-8-26](#) [LEDS2E-10-01](#) [ZCH-200-I](#) [RNG132](#) [FIX-LEDH-10.5](#) [FIX-LEDH-11](#)
[FIX-LEDH-11.5](#) [FIX-LEDH-14](#) [FIX-LEDH-17](#) [FIX-LEDH-18](#) [FIX-LEDH-4](#) [FIX-LEDH-4.5](#) [FIX-LEDH-7.5](#) [FIX-LEDH-9.5](#) [FIX-LEDS-1.5](#)
[FIX-LEDS-2](#) [FIX-LEDS-3.5](#) [FIX-LEDT-11](#) [FIX-LEDT-5](#) [FIX-LEDT-9](#) [SQLEDS2-4-26](#) [7382](#) [CMC285BLK](#) [CNXDX4624](#) [CNXDX4608](#)
[CNXDF4608](#) [CNXCE4118](#) [CNX440-X02-4-1-08](#) [4740](#) [CNXCX4104](#) [CNXCE4124](#) [CNXCE4112](#) [CNX460-X02-4-1-24](#)