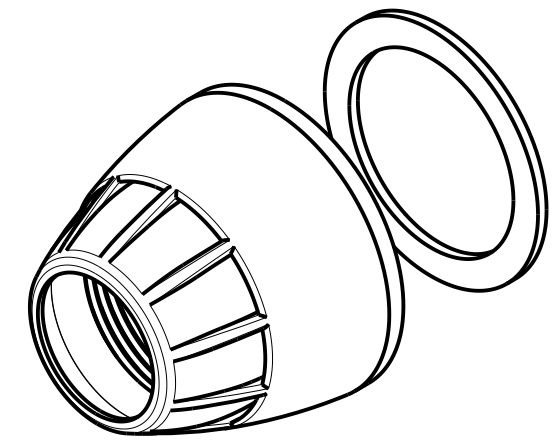
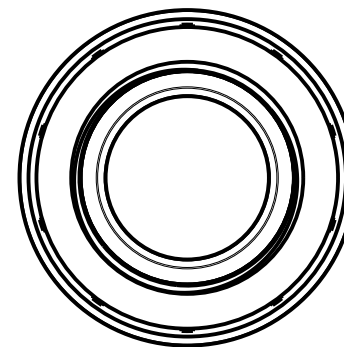
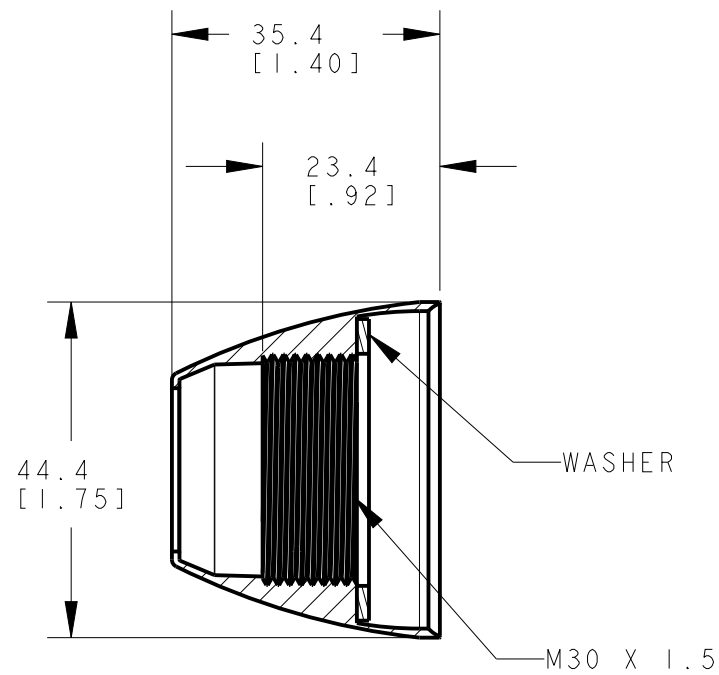
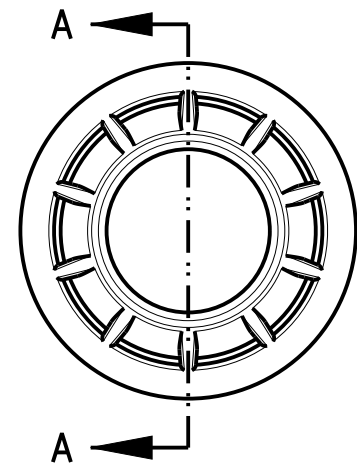


8 | 7 | 6 | 5 | 4 | 3 | 2 | 1



D

C

B

A

D

C

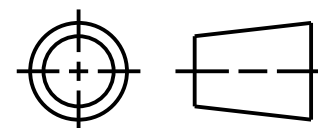
B

A

NOTES:
 1. ALL DIMENSIONS ARE MILLIMETERS [INCHES] UNLESS OTHERWISE NOTED.
 2. REFER TO "www.bannerengineering.com" FOR ADDITIONAL DATA AND SPECIFICATIONS.

This drawing is the property of BANNER ENGINEERING CORP. Any use or reproduction, in any form, without prior written permission of Banner is prohibited. © 2015 Banner Engineering Corp.

THIRD ANGLE PROJECTION



		BANNER ENGINEERING CORP. www.bannerengineering.com	
		TITLE SA-M30TE12	
SIZE B	DRAWING NO. 145504	REV. B	
SCALE 1:1		SHEET 1 OF 1	

8 | 7 | 6 | 5 | 4 | 3 | 2 | 1 | CREO

X-ON Electronics

Largest Supplier of Electrical and Electronic Components

Click to view similar products for [Tower Light Accessories](#) category:

Click to view products by [Banner manufacturer](#):

Other Similar products are found below :

[TL50LB1T](#) [XVUZ02](#) [TL12004](#) [TL122012A](#) [TL5002](#) [TL50LA1T](#) [TL50LA1U](#) [B-TL70PK-Q](#) [B-TL70DR2M-Q5](#) [B-TL70DR9M-Q5](#) [SA-M30TE12](#) [SMBAMS22RA](#) [SOK-TL50-300SS](#) [TL15B4Q](#) [TL15BGYRQ](#) [TL15G1Q](#) [TL15G4Q](#) [TL15GYRQ](#) [TL15R5Q](#) [TL15R1Q](#) [TL15R2Q](#) [TL15R4Q](#) [TL15Y1Q](#) [TL15Y2Q](#) [XVUC21BQ](#) [XVUC21M](#) [XVUC27](#) [XVUC43](#) [XVUC44](#) [XVUC45](#) [XVUC46](#) [XVUC29P](#) [XVUZ01](#) [XVUZ02Q](#) [XVUZ12](#) [XVUZ400](#) [TL50LR1T](#) [XVUC23](#) [XVUC24](#) [XVUC28](#) [XVUZ06](#)