

承認書

SPECIFICATION FOR APPROVAL

<i>CUSTOMER:</i>	鹿鳴
<i>CUSTOMER P/N:</i>	01
<i>CUSTOMER PART NO:</i>	
<i>DESCRIPTION:</i>	BCRH104R-101
<i>PRODUCTS NO:</i>	<i>BC REV: 01</i>
<i>PRODUCTS REV:</i>	A
<i>DATE:</i>	2017-11-27

PURCHASER CONFIRMED

<i>PURCHASER CONFIRMED</i>		

REMARK

<i>REMARK</i>

PROVIDER ENGINEER DEPT.

<i>APPROVAL BY</i>	<i>CHECK BY</i>	<i>DRAWN BY</i>
Eng	Yasir	daixin



誠陽實業有限公司

TAIPEI OFFICE TAIWAN CHENG YANG COMPONENT CORP

2F-1, NO. 176, Chine-Yi Road., Zhonghe District, New Taipei City, TAIWAN(R.O.C)

新北市中和區建一路176號2樓之一

POSTAL CODE: 23500

TEL NO.:+886-2- 8228-0930 FAX NO.:+886-2-8228-0929 E-mail:h21803@ms29.hinet.net



寶誠電子有限公司

CHINA FACTORY ZHUHAI BAO CHENG ELECTRONICSCO.,LTD

Guan Tang Industrial Park, Tang Jia Wan Town, Zhuhai City, Guangdong Province, CHINA

中國廣東省珠海市塘家灣鎮官塘工業區

POSTAL CODE: 519085

TEL NO:86-756-3383187 FAX NO:86-756-3380704 E-mail: baocheng@baocheng.biz



昆山誠陽電子有限公司

CHINA FACTORY KUNSHAN CHENG YANG ELECTRONICSCO.,LTD

Qiang-An Road., High-Tech. Industrial Park, Kunshan City, Jiangsu Province, China

江蘇省昆山市高科技工業園區強安路35號

POSTAL CODE: 215300

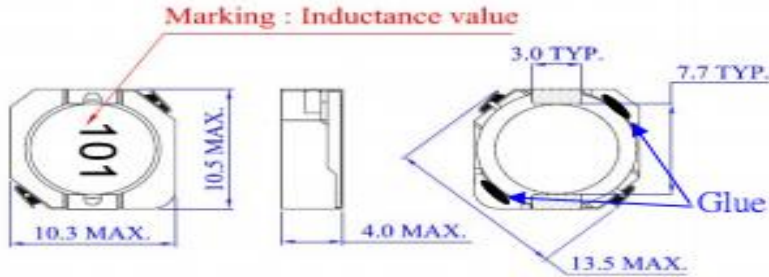
TEL NO:86-512-57823500 FAX NO:86-512-57823503 E-mail: kscy@taiwan-chengyang.com.tw

SPECIFICATION FOR APPROVAL

DATE: 2017-11-27

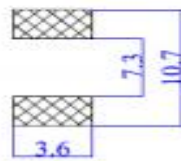
CUSTOMER: 鹿鸣	CUSTOMER PART NO:	PRODUCTS REV: A
DESCRIPTION: BCRH104R-101	PRODUCTS NO:	BC REV: 01

SHAPE & DIMENSION (UNIT:mm)

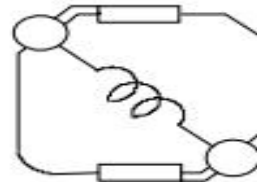


Marking Code: **101** Size: **3.9*2.6** Color: 黑色 typeface: **Arial**

PAD LAYOUT(MM):



ELECREICAL SCHEMATIC:



ELECREICAL SPECIFICATION

MEAS. ITEM	SPEC.	TEST FREQ.	CONDITIONS
L	100 μH ± 20%	100KHz/0.25V	Ta=25℃ · Idc=0A
DCR	430 mΩ Max.		Ta=25℃
Isat	1.35 A Max.	100KHz/0.25V	ΔL/L ≤ 35%

GENERAL SPECIFICATION

Electrical specifications : **at 25℃**
 Operation Temperature : **-40~+125℃**
 Storage Temperature : **-40~+125℃**

(1)WIRE TYPE: **∅ 0.28mm**

(2)WINDING:**20.5Ts(REF)**

APPROVAL BY	CHECK BY	DRAWN BY
Eng	Yasir	daixin

SPECIFICATION FOR APPROVAL

DATE: 2017-11-27

CUSTOMER: 鹿鸣	CUSTOMER PART NO: 0	PRODUCTS REV: A
DESCRIPTION: BCRH104R-101	PRODUCTS NO: 0	BC REV: 01

Test data for preproduction Sample(样品数据)

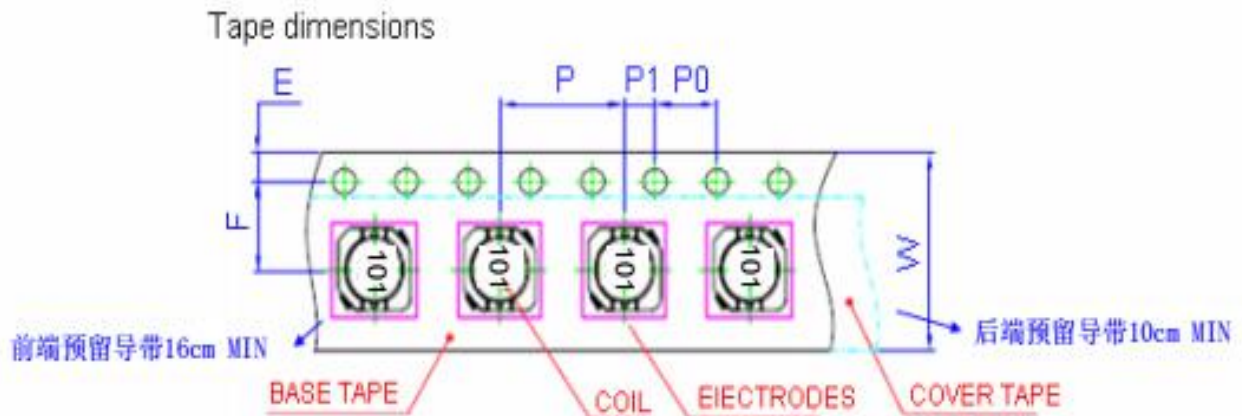
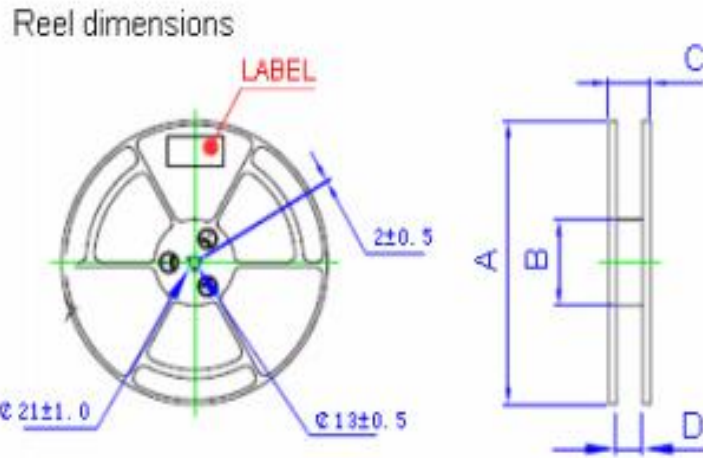
TEST RESOLUTION					DIMENSION (Unit : mm)				
MEAS.									
ITEM	μH	$\text{m}\Omega$	I_{sat} (A)	$\Delta L/L$			长	宽	高
SPEC.	100.0	430.0	1.35	$\Delta L/L \approx 35\%$			10.5MAX	10.3MAX	4.0MAX
	\pm	Max.	Max.						
TEST	20%								
FREQ.	100kHz/0.25V		100kHz/0.25V				mm	mm	mm
1	93.4	253	74.10	20.66%			10.31	10.11	3.84
2	97.6	253	71.30	26.95%			10.34	10.04	3.84
3	93.0	253	71.50	23.12%			10.38	10.03	3.85
4	95.6	254	70.40	26.36%			10.33	10.06	3.86
5	100.8	253	71.60	28.97%			10.35	10.08	3.86
6	96.9	255	72.70	24.97%			10.32	10.06	3.83
7	100.3	252	71.30	28.91%			10.34	10.08	3.83
8	98.9	253	71.90	27.30%			10.35	10.05	3.83
9	95.7	254	71.90	24.87%			10.33	10.10	3.80
10	100.6	253	71.50	28.93%			10.33	10.06	3.84
AVG.	97.3	253.3	71.820	26.10%			10.34	10.07	3.84
R	7.8	3.0	3.700	8.30%			0.07	0.08	0.06

APPROVAL BY	CHECK BY	DRAWN BY
Eng	Yasir	daixin

SPECIFICATION FOR APPROVAL

DATE: 2017-11-27

CUSTOMER: 鹿鸣	CUSTOMER PART NO: 0	PRODUCTS REV: A
DESCRIPTION: BCRH104R-101	PRODUCTS NO: 0	BC REV: 01



Packaging

UNIT:mm

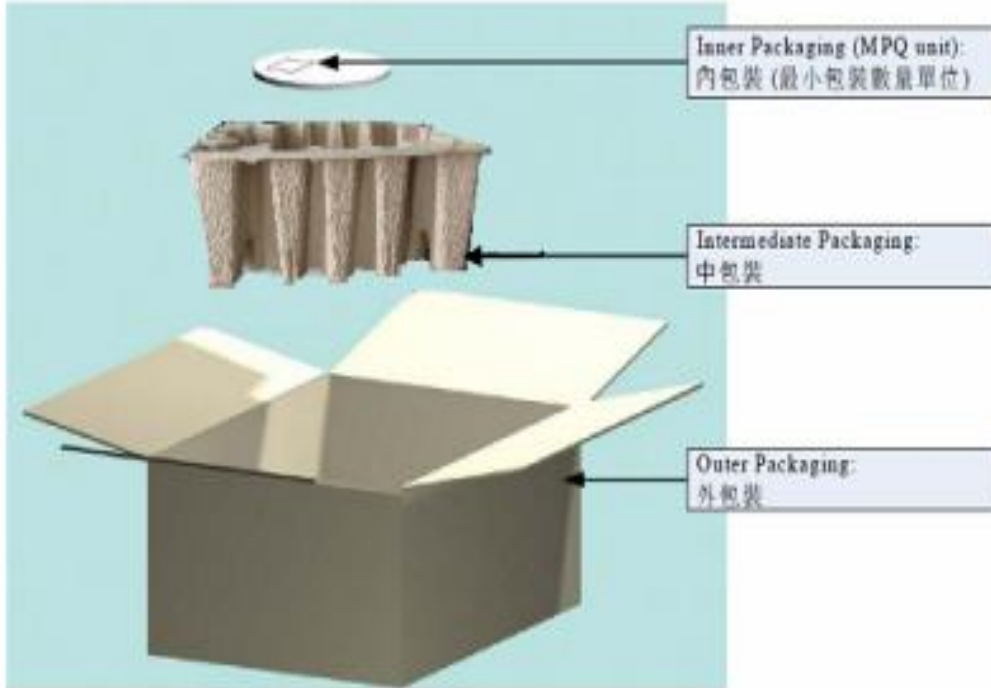
ITEM	A	B	C	D	F	E	W	P	P0	P1	Quantity
DIM	330	90	30.4	24.4	11.5	1.75	24	16	4	2	1000 pcs/reel

APPROVAL BY	CHECK BY	DRAWN BY
Eng	Yasir	daixin

SPECIFICATION FOR APPROVAL

DATE: 2017-11-27

CUSTOMER: 鹿鸣	CUSTOMER PART NO: 0	PRODUCTS REV: A
DESCRIPTION: BCRH104R-101	PRODUCTS NO: 0	BC REV: 01



- 1.1 外箱: 42.5*40.5*17 cm 一箱裝 4卷制品
- 1.2 防振箱2纸托
- 1.3 外箱材質: A三A
- 1.4 纸托材質: A=A
- 1.5 每一卷制品用一只静电袋包裝
- 1.6 每一静电袋內放一只袋干燥剂
- 1.7 每一卷上面依标签样式的要求贴上标签明细
- 1.8 出货内外箱贴上该箱內实际內容明细
- 1.9 出货标签规格如下: 尺寸=长度:39mm 宽度:29mm

APPROVAL BY	CHECK BY	DRAWN BY
Eng	Yasir	daixin

X-ON Electronics

Largest Supplier of Electrical and Electronic Components

Click to view similar products for [Fixed Inductors](#) category:

Click to view products by [Bao Cheng](#) manufacturer:

Other Similar products are found below :

[CR32NP-100KC](#) [CR32NP-151KC](#) [CR32NP-180KC](#) [CR32NP-181KC](#) [CR32NP-1R5MC](#) [CR32NP-390KC](#) [CR32NP-3R9MC](#) [CR32NP-680KC](#) [CR32NP-820KC](#) [CR32NP-8R2MC](#) [CR43NP-390KC](#) [CR43NP-560KC](#) [CR43NP-680KC](#) [CR54NP-181KC](#) [CR54NP-470LC](#) [CR54NP-820KC](#) [CR54NP-8R5MC](#) [70F224AI](#) [MGDQ4-00004-P](#) [MHL1ECTTP18NJ](#) [MHQ1005P10NJ](#) [MHQ1005P1N0S](#) [MHQ1005P2N4S](#) [MHQ1005P3N6S](#) [MHQ1005P5N1S](#) [MHQ1005P8N2J](#) [PE-51506NL](#) [PE-53601NL](#) [PE-53602NL](#) [PE-53630NL](#) [PE-53824SNLT](#) [PE-92100NL](#) [PG0434.801NLT](#) [PG0936.113NLT](#) [9220-20](#) [9310-16](#) [PM06-2N7](#) [PM06-39NJ](#) [A01TK](#) [1206CS-471XJ](#) [HC2LP-R47-R](#) [HC2-R47-R](#) [HC3-2R2-R](#) [HCF1305-3R3-R](#) [1206CS-151XG](#) [RCH664NP-140L](#) [RCH664NP-4R7M](#) [RCH8011NP-221L](#) [RCP1317NP-332L](#) [RCP1317NP-391L](#)