

# 承認書

## SPECIFICATION FOR APPROVAL

<i>CUSTOMER:</i>	鹿鳴
<i>CUSTOMER P/N:</i>	01
<i>CUSTOMER PART NO:</i>	
<i>DESCRIPTION:</i>	BCRH104R-470
<i>PRODUCTS NO:</i>	<i>BC REV: 01</i>
<i>PRODUCTS REV:</i>	A
<i>DATE:</i>	2017-11-27

### PURCHASER CONFIRMED

<i>PURCHASER CONFIRMED</i>		

### REMARK

<i>REMARK</i>
---------------

### PROVIDER ENGINEER DEPT.

<i>APPROVAL BY</i>	<i>CHECK BY</i>	<i>DRAWN BY</i>
Eng	Yasir	daixin



誠陽實業有限公司

TAIPEI OFFICE TAIWAN CHENG YANG COMPONENT CORP

2F-1, NO. 176, Chine-Yi Road., Zhonghe District, New Taipei City, TAIWAN(R.O.C)

新北市中和區建一路176號2樓之一

POSTAL CODE: 23500

TEL NO.:+886-2- 8228-0930 FAX NO.:+886-2-8228-0929 E-mail:h21803@ms29.hinet.net



寶誠電子有限公司

CHINA FACTORY ZHUHAI BAO CHENG ELECTRONICSCO.,LTD

Guan Tang Industrial Park, Tang Jia Wan Town, Zhuhai City, Guangdong Province, CHINA

中國廣東省珠海市塘家灣鎮官塘工業區

POSTAL CODE: 519085

TEL NO:86-756-3383187 FAX NO:86-756-3380704 E-mail: baocheng@baocheng.biz



昆山誠陽電子有限公司

CHINA FACTORY KUNSHAN CHENG YANG ELECTRONICSCO.,LTD

Qiang-An Road., High-Tech. Industrial Park, Kunshan City, Jiangsu Province, China

江蘇省昆山市高科技工業園區強安路35號

POSTAL CODE: 215300

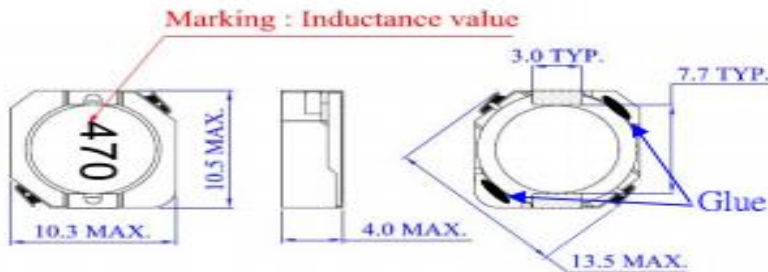
TEL NO:86-512-57823500 FAX NO:86-512-57823503 E-mail: kscy@taiwan-chengyang.com.tw

SPECIFICATION FOR APPROVAL

DATE: 2017-11-27

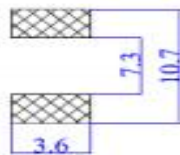
CUSTOMER: 鹿鸣	CUSTOMER PART NO:	PRODUCTS REV: A
DESCRIPTION: BCRH104R-470	PRODUCTS NO:	BC REV: 01

**SHAPE & DIMENSION (UNIT:mm)**

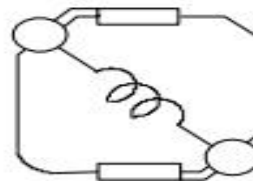


Marking Code: **470**    Size: **3.9\*2.6**    Color: 黑色    typeface: **Arial**

**PAD LAYOUT(MM):**



**ELECTREICAL SCHEMATIC:**



**ELECTREICAL SPECIFICATION**

MEAS. ITEM	SPEC.			TEST FREQ.	CONDITIONS
<b>L</b>	47	$\mu\text{H}$	$\pm 20\%$	100KHz/0.25V	$T_a=25^\circ\text{C}$ · $I_{dc}=0\text{A}$
<b>DCR</b>	190	$\text{m}\Omega$	Max.		$T_a=25^\circ\text{C}$
<b>Isat</b>	2.10	A	Max.	100KHz/0.25V	$\Delta L/L \leq 35\%$

**GENERAL SPECIFICATION**

Electrical specifications :                   at 25°C  
 Operation Temperature :                   -40~+125°C  
 Storage Temperature :                   -40~+125°C

(1)WIRE TYPE:  $\varnothing 0.28\text{mm}$

(2)WINDING:20.5Ts(REF)

<b>APPROVAL BY</b>	<b>CHECK BY</b>	<b>DRAWN BY</b>
Eng	Yasir	daixin

## SPECIFICATION FOR APPROVAL

DATE: 2017-11-27

CUSTOMER: 鹿鸣	CUSTOMER PART NO: 0	PRODUCTS REV: A
DESCRIPTION: BCRH104R-470	PRODUCTS NO: 0	BC REV: 01

## Test data for preproduction Sample(样品数据)

TEST RESOLUTION					DIMENSION (Unit : mm)				
MEAS.									
ITEM	$\mu\text{H}$	$\text{m}\Omega$	$I_{\text{sat}}$ (A)	$\Delta\text{L/L}$			长	宽	高
SPEC.	47.0	190.0	2.10	$\Delta\text{L/L} \leq 35\%$			10.5MAX	10.3MAX	4.0MAX
	$\pm$	Max.	Max.						
TEST FREQ.	100KHz@0.25V		100KHz@0.25V				mm	mm	mm
	1	49.2	120	37.10	24.59%			10.31	10.11
2	47.8	123	39.50	17.36%			10.34	10.04	3.84
3	46.4	125	37.30	19.61%			10.38	10.03	3.85
4	51.2	124	40.30	21.29%			10.33	10.06	3.86
5	47.9	124	37.60	21.50%			10.35	10.08	3.86
6	51.1	124	40.50	20.74%			10.32	10.06	3.83
7	50.4	125	39.90	20.83%			10.34	10.08	3.83
8	49.2	122	37.80	23.17%			10.35	10.05	3.83
9	47.0	124	38.10	18.94%			10.33	10.10	3.80
10	46.6	125	37.60	19.31%			10.33	10.06	3.84
AVG.	48.7	123.6	38.570	20.74%			10.34	10.07	3.84
R	4.8	5.0	3.400	7.23%			0.07	0.08	0.06

APPROVAL BY

CHECK BY

DRAWN BY

Eng

Yasir

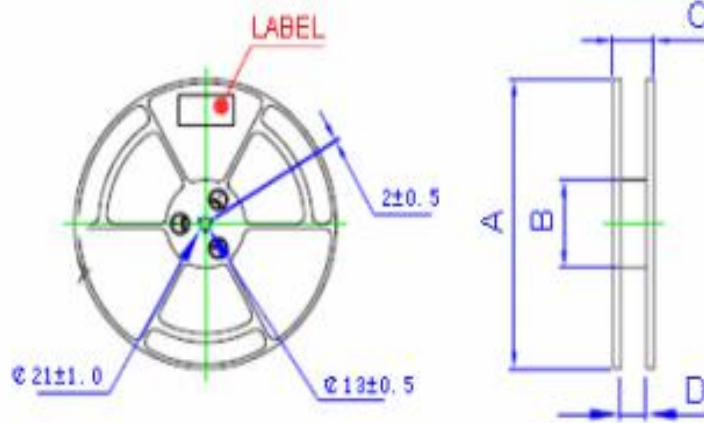
daixin

SPECIFICATION FOR APPROVAL

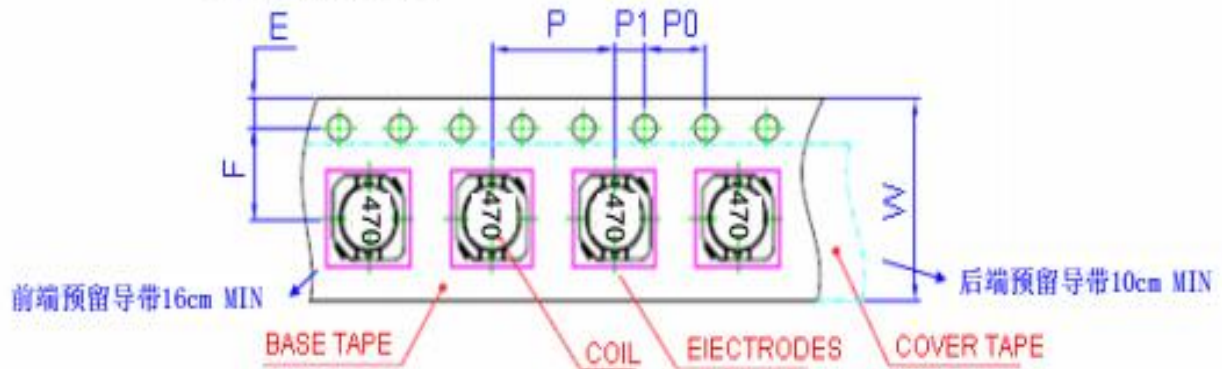
DATE: 2017-11-27

CUSTOMER: 鹿鸣	CUSTOMER PART NO: 0	PRODUCTS REV: A
DESCRIPTION: BCRH104R-470	PRODUCTS NO: 0	BC REV: 01

Reel dimensions



Tape dimensions



Packaging

UNIT:mm

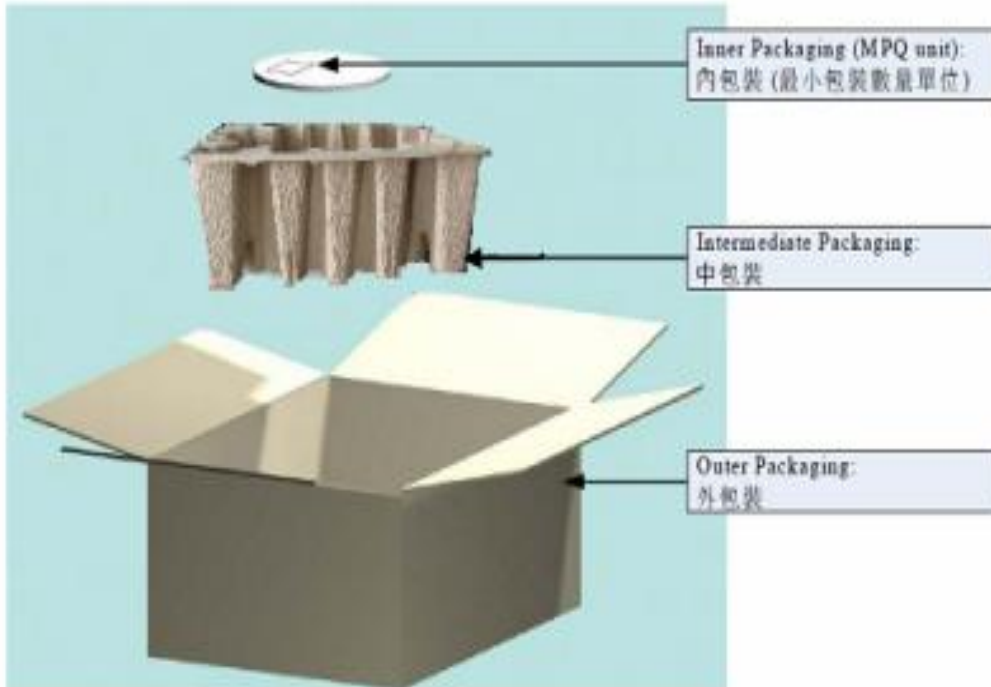
ITEM	A	B	C	D	F	E	W	P	P0	P1	Quantity
DIM	330	90	30.4	24.4	11.5	1.75	24	16	4	2	1000 pcs/ree

APPROVAL BY	CHECK BY	DRAWN BY
Eng	Yasir	daixin

SPECIFICATION FOR APPROVAL

DATE: 2017-11-27

CUSTOMER: 鹿鸣	CUSTOMER PART NO: 0	PRODUCTS REV: A
DESCRIPTION: BCRH104R-470	PRODUCTS NO: 0	BC REV: 01



- 1.1 外箱: 42.5\*40.5\*17 cm 一箱裝 4卷制品
- 1.2 防振箱2紙托
- 1.3 外箱材質: A三A
- 1.4 紙托材質: A=A
- 1.5 每一卷制品用一只静电袋包裝
- 1.6 每一静电袋內放一只袋干燥剂
- 1.7 每一卷上面依标签样式的要求贴上标签明细
- 1.8 出货內外箱贴上该箱內实际內容明细
- 1.9 出货标签规格如下: 尺寸=长度:39mm 宽度:29mm

<b>APPROVAL BY</b>	<b>CHECK BY</b>	<b>DRAWN BY</b>
Eng	Yasir	daixin



## X-ON Electronics

Largest Supplier of Electrical and Electronic Components

*Click to view similar products for [Fixed Inductors](#) category:*

*Click to view products by [Bao Cheng](#) manufacturer:*

Other Similar products are found below :

[CR32NP-100KC](#) [CR32NP-151KC](#) [CR32NP-180KC](#) [CR32NP-181KC](#) [CR32NP-1R5MC](#) [CR32NP-390KC](#) [CR32NP-3R9MC](#) [CR32NP-680KC](#) [CR32NP-820KC](#) [CR32NP-8R2MC](#) [CR43NP-390KC](#) [CR43NP-560KC](#) [CR43NP-680KC](#) [CR54NP-181KC](#) [CR54NP-470LC](#) [CR54NP-820KC](#) [CR54NP-8R5MC](#) [70F224AI](#) [MGDQ4-00004-P](#) [MHL1ECTTP18NJ](#) [MHQ1005P10NJ](#) [MHQ1005P1N0S](#) [MHQ1005P2N4S](#) [MHQ1005P3N6S](#) [MHQ1005P5N1S](#) [MHQ1005P8N2J](#) [PE-51506NL](#) [PE-53601NL](#) [PE-53602NL](#) [PE-53630NL](#) [PE-53824SNLT](#) [PE-92100NL](#) [PG0434.801NLT](#) [PG0936.113NLT](#) [9220-20](#) [9310-16](#) [PM06-2N7](#) [PM06-39NJ](#) [A01TK](#) [1206CS-471XJ](#) [HC2LP-R47-R](#) [HC2-R47-R](#) [HC3-2R2-R](#) [HCF1305-3R3-R](#) [1206CS-151XG](#) [RCH664NP-140L](#) [RCH664NP-4R7M](#) [RCH8011NP-221L](#) [RCP1317NP-332L](#) [RCP1317NP-391L](#)