

# CUPMOUNT



(1) Natural frequency:  
25 to 35 Hz

## DESCRIPTION

The CUPMOUNT is made of rubber bonded to two metal reinforcements of truncated form.

- Interior reinforcement with tapped hole.
- External reinforcements with square base (4 holes).

## OPERATION

The design of the CUPMOUNT gives the following basic characteristics:

- The ratio of radial and axial rigidity of the elements is 1/1, which allows excellent stability.

### Advantages:

- Four models, load capacity of 1 to 1000 daN.
- Support iso-stiffness into axial and radial.
- Can be assembled multidirectional. Effective in compression, traction and shear
- Chloroprene resistant to oils.
- Easy and fast to install.

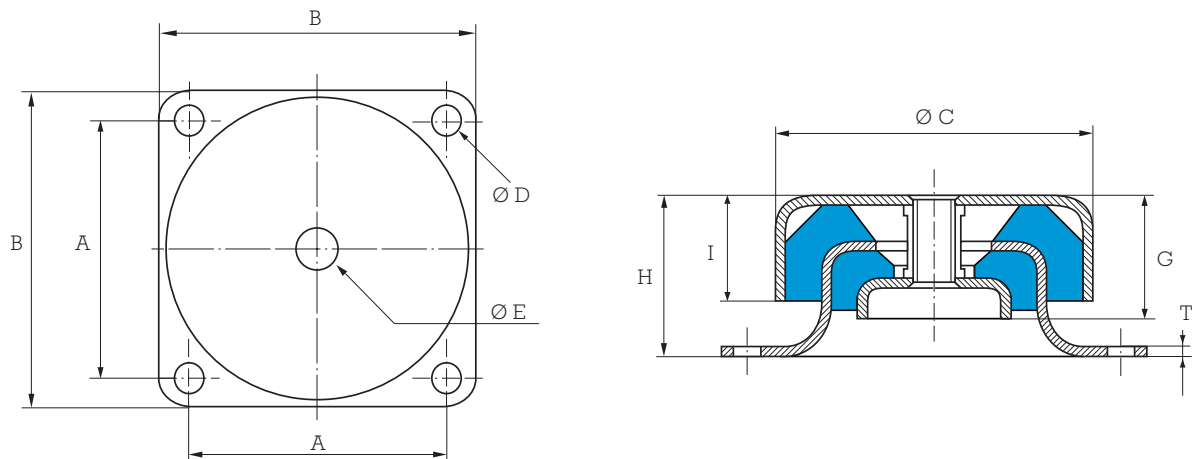
## APPLICATIONS

Engines, pumps, air conditioning, ventilators, transformers...

The CUPMOUNT can also be used for suspended ceilings and for mobile applications

(1) Natural frequencies with max/min loads, see : OPERATING CHARACTERISTICS.

## DIMENSIONS CHARACTERISTICS



### Reference 530906

Paulstra reference	Barry Controls* reference	A mm	B mm	Ø C mm	Ø D mm	Ø E	G mm	H mm	I mm	T mm	Weight gr
530906 11/14	C1000	49.5	60	58	5.2	M6	20	28	18	1.6	0.2
530906 21/26	C2000	63.5	75	76	6.4	M10	30	38	25	2.3	0.4
530906 31/34	C3000	143	175	168	13.5	M16	65	90	59	4.7	4.5
530906 41/44	C4000	108	133	124	11.9	M16	19	63	38	4	1.8

\* Barry Controls references are given as an indication.

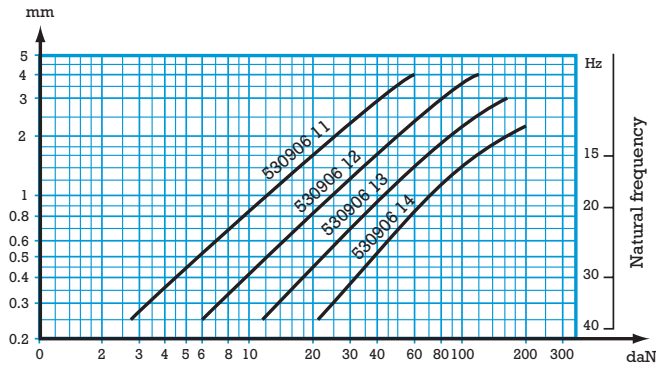
## OPERATING CHARACTERISTICS

Paulstra reference	Barry Controls* reference	Maximum load daN	
		Mobile application	Static application
530906 11	C1010	6.5	6.5
530906 12	C1015	14	14
530906 13	C1035	26	26
530906 14	C1050	45	45
530906 21	C2020	13	26
530906 22	C2040	24	48
530906 23	C2060	34	68
530906 24	C2075	60	120
530906 25	C2090	72	144
530906 26	C2125	92	184
530906 41	C4100	70	140
530906 42	C4135	118	236
530906 43	C4200	160	320
530906 44	C4300	250	500
530906 31	C3125	90	180
530906 32	C3175	125	250
530906 33	C3300	165	330
530906 34	C3500	330	660

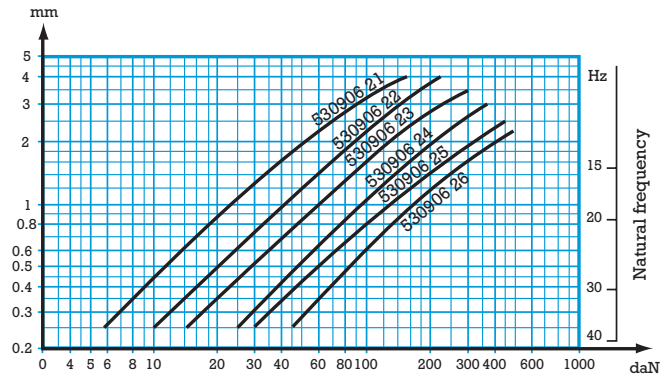
\* Barry Controls references are given as an indication.

1 kg ≈ 1 daN

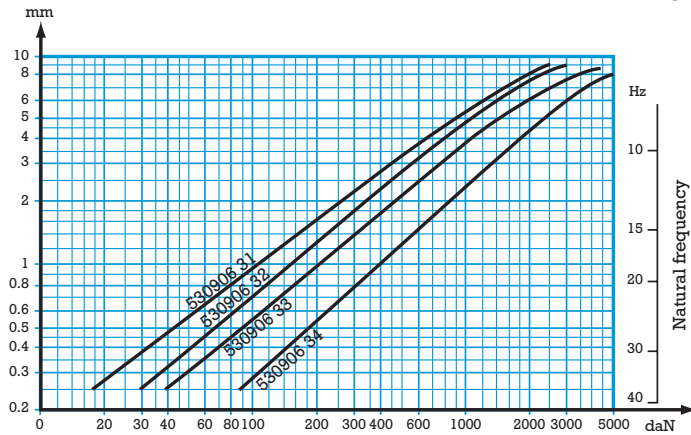
# LOAD/DEFLECTION CURVES IN AXIAL COMPRESSION



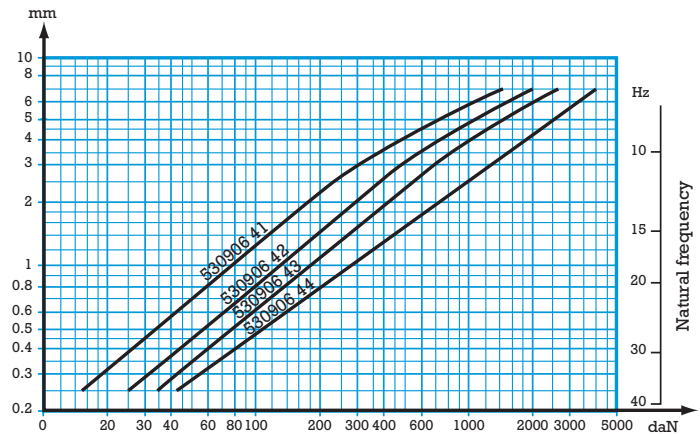
Reference 530906 11/14



Reference 530906 21/26



Reference 530906 31/34



Reference 530906 41/44

## **X-ON Electronics**

Largest Supplier of Electrical and Electronic Components

*Click to view similar products for [Barry Controls](#) manufacturer:*

Other Similar products are found below :

[C1035](#) [22001-12](#) [C1010](#) [C1015](#)