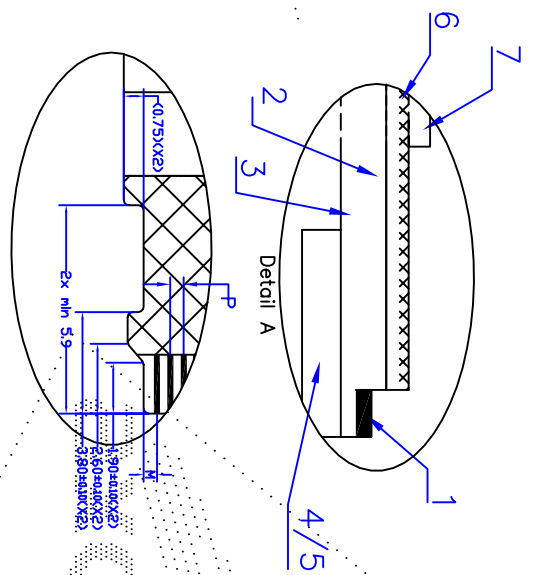
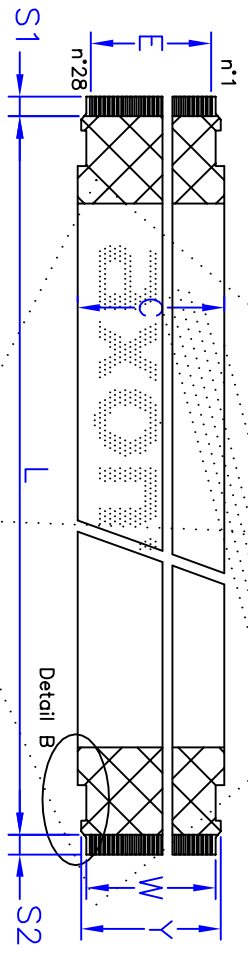
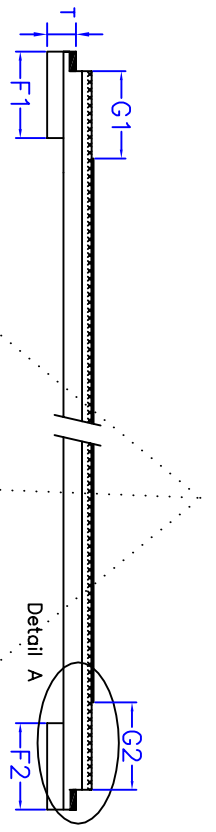


REV	MODIFICATIONS	DRAWN BY	CHECKED BY	DATE
AA	CREATION	JZ	ToH	23/02/16



CHARACTERISTICS

ITEMS	VALUE	TEST METHOD
Resistance of conductor	1950 g/km maxi	-
Conductor to conductor insulation resistance	10 MΩ.m mini	200 V DC
Dielectric test (conductor to conductor)	1 minute	200 V AC
Temperature rating	80 °C	UL2896
Voltage rating	30 V AC maxi	UL2896
Flame resistance	VW - 1	UL 758
Differential Impedance	100 ± 10 Ω	-
AXON Cable UL file number: E45046		
AXON Cable AWM STYLE2896 80°C 30V VW-1		

COMPOSITION

COMPONENTS	UNITS	SPECIFICATIONS	Item
Material	-	Golden contacts (0,3µm Ni/0,05µm Au min)	
Conductor	MM	0,23 mm nominal	1
Thickness	MM	0,055 mm nominal	
Insulation tape	Material	Polyester+flame retardant adhesive insulation	
Thickness	MM	0,100 mm nominal	2
Insulation tape	Material	Polyester+flame retardant adhesive insulation	
Thickness	MM	0,100 mm nominal	3
Reinforcement Tape	Material	Blue Polyester	
Thickness	MM	0,155 mm nominal	4/5
Aluminum tape	Material	Polyester/Aluminium/Adhesive	
Thickness	MM	0,119 mm nominal	6
Insulation tape	Material	Polyester + FR adhesive insulation	
Thickness	MM	0,043 mm nominal	7



DIMENSIONS

ITEMS	UNITS	SPECIFICATIONS
Study		SJ15302-5-A
Number of conductors	MM	28 (=32-4)
Span	MM	13,50 ± 0,05
Width	MM	14,50 ± 0,07
Total end width	MM	16,50 ± 0,15
Width ears	MM	16,20 ± 0,10
Pitch	MM	0,50 ± 0,05
Margin	MM	0,50 ± 0,08
Strip length	MM	2,20 ± 0,50
Shielding position	MM	2,20 ± 0,50
Shielding position	MM	6,00 ± 2,00
End thickness	MM	0,30 ± 0,05
Reinforcement length	MM	7,00 ± 1,50
Reinforcement length	MM	7,00 ± 1,50
Insulated length	MM	400 ± 5,00

UNLESS OTHERWISE SPECIFIED, DIMENSIONS : MM ANGLES : d.

CUSTOMER N°

FILE N° SJ15302-5-Adwg

TITLE

FDC100-28/0400C

AXON CABLE & INTERCONNECT

51240 MONTMIRAIL - FRANCE
 TEL : +33 3 26 81 70 00
 FAX : +33 3 26 81 28 83
 www.axon-cable.com

AXON CABLE SA

SIZE A4

SCALE : N.D.

AXON SA N° SJ15302-5-

REV A

Prod. Doc.

SHEET 1 of 1

This drawing is the property of Axon, and is issued on the condition that it is not copied or disclosed to any third party without prior written consent from Axon Cable

X-ON Electronics

Largest Supplier of Electrical and Electronic Components

Click to view similar products for [Ribbon Cables / IDC Cables](#) category:

Click to view products by [Basler](#) manufacturer:

Other Similar products are found below :

[FSK-12A](#) [AWG28-10G](#) [EHJ3C](#) [EHJ4C](#) [cab-LVDV-PWR-10-15](#) [FSP-25A](#) [3365/15 \(100FT\)](#) [cab-LVDV-DAT-34-15](#) [49635-C62-S2](#) [1-3636-600-5204](#) [92315-1408](#) [426171120-3](#) [3625/08 \(100M\)](#) [0044704](#) [2-1589735-3](#) [JSM015PP2DCC23N](#) [92301-0283](#) [ACL-eSSI-2](#) [92301-0718](#) [MMSDT-06-20-S-05.5-D-K-LDX](#) [IDD-04-G](#) [NM-2J2-051-PS1-JJAB](#) [1700/14SF \(100FT\)](#) [1700/26SF \(100FT\)](#) [1700/34SF \(100FT\)](#) [3801/09 \(100FT\)](#) [DS1057-06A282R-30.5](#) [DS1057-12A282R-30.5](#) [DS1057-14A282R-76.5](#) [DS1057-20A282R-76.5](#) [DS1057-24A282R-76.5](#) [DS1057-26A282R-76.5](#) [DS1057-30A282R-76.5](#) [DS1057-34A282R-76.5](#) [DS1057-40A282R-76.5](#) [DS1057-60A282R-76.5](#) [DS1057-64A282R-76.5](#) [DS1058-08M28-30.5](#) [DS1058-30M28-30.5](#) [3750/10 \(100FT\)](#) [0015712](#) [0015905](#) [S30109](#) [11203](#) [11223](#) [11243](#) [11262](#) [0037147](#) [0022512](#) [0022412](#)