

# Basler Accessories



## Technical Specification

### **POWER SUPPLY 24 V, PLUG 12P**

**Order Number**

**2200000166**

Document Number: DG001874

Version: 01 Language: 000 (English)

Release Date: 16 August 2017

## **Contacting Basler Support Worldwide**

### **Europe, Middle East, Africa**

Basler AG  
An der Strusbek 60–62  
22926 Ahrensburg  
Germany

Tel. +49 4102 463 515  
Fax +49 4102 463 599

[support.europe@baslerweb.com](mailto:support.europe@baslerweb.com)

### **The Americas**

Basler, Inc.  
855 Springdale Drive, Suite 203  
Exton, PA 19341  
USA

Tel. +1 610 280 0171  
Fax +1 610 280 7608

[support.usa@baslerweb.com](mailto:support.usa@baslerweb.com)

### **Asia-Pacific**

Basler Asia Pte. Ltd.  
35 Marsiling Industrial Estate Road 3  
#05–06  
Singapore 739257

Tel. +65 6367 1355  
Fax +65 6367 1255

[support.asia@baslerweb.com](mailto:support.asia@baslerweb.com)

[www.baslerweb.com](http://www.baslerweb.com)

**All material in this publication is subject to change without notice and is copyright Basler AG.**

| Order Number | Description                          | Applicable Cameras |
|--------------|--------------------------------------|--------------------|
| 2200000166   | Power supply 24 VDC with 12-pin plug | Basler ToF Camera  |

Table 1: Power Supply Type

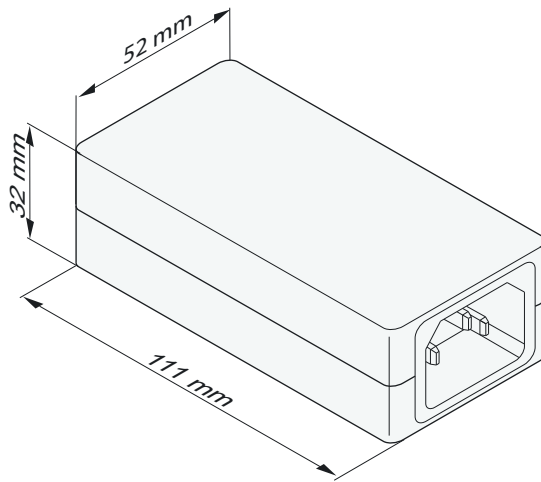
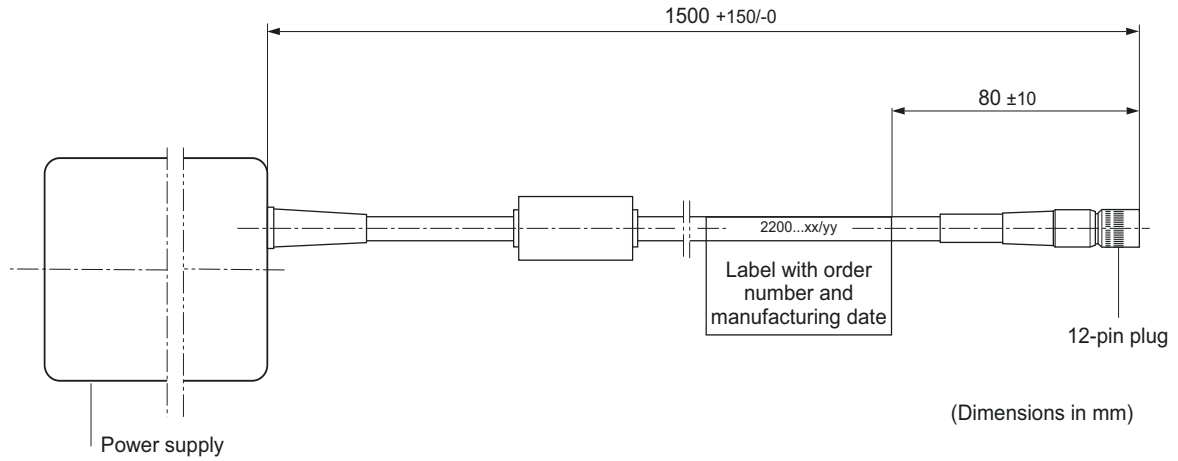


Fig. 1: Power Supply Overview

## Physical Specifications

|  |   |
|--|---|
| DC Output Connector                      | 12-pin plug                               |
| AC Input Connector                       | IEC 60320 C14                             |
| Housing Dimensions                       | 111.0 mm x 52.0 mm x 32.3 mm $\pm$ 1.0 mm |
| Housing Material                         | 94V-0 Polycarbonate                       |
| Cable Diameter                           | 5.5 mm max.                               |
| Minimum Bending Radius (Cable)           | 40 mm, fixed installation                 |
| Minimum Number of Bending Cycles (Cable) | None (for fixed installation only)        |
| Suitable for Drag Chain Applications     | No  |
| Suitable for Robotics Applications       | No  |

Table 2: Physical Specifications

## Electrical Specifications

|                         |                 |   |
|-------------------------|-----------------|---|
| AC Input                | Voltage Range   | 100–240 VAC   |
|                         | Current         | 1.0 A max.  |
|                         | Frequency Range | 50–60 Hz  |
| DC Output               | Voltage         | 24 VDC $\pm$ 5 %  |
|                         | Current         | 1.67 A max.   |
| Isolation Input/Output  |                 | 4242 VDC  |
| Earth Leakage Current   |                 | <3.5 mA @ 240 VAC   |
| Safety                  |                 | PELV (Protective Extra-Low Voltage)<br>LPS (Limited Power Source) |
| Overvoltage at Output   |                 | Protected   |
| Short Circuit at Output |                 | Protected (Auto Recovery)   |

Table 3: Electrical Specifications

### Grounding Information

When using this power supply in your application environment, note that there is a direct connection between the camera housing and the Protected Earth (PE) pin of the power supply. See Fig. 2 for details.

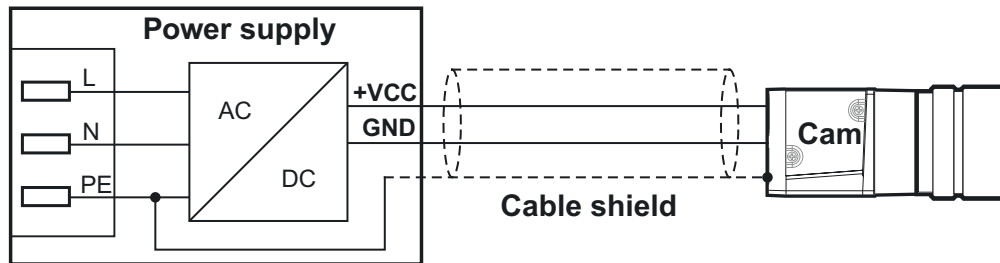


Fig. 2: Grounding Overview

### Environmental Specifications

|                             |                                   |
|-----------------------------|-----------------------------------|
| Operating Temperature Range | 0–40 °C                           |
| Humidity                    | 10–90 %, relative, non-condensing |

Table 4: Environmental Specifications

### General Specifications

|                   |  |
|-------------------|--|
| MTBF              | 200,000 hrs @ 25 °C ambient temperature    |
| Energy Efficiency | CEC & DOE Level VI<br>ErP Tier 2-compliant |

Table 5: General Specifications

### Plug Specifications


|                          |                    |
|--------------------------|--------------------|
| Durability               | >100 mating cycles |
| Protection Rating        | IP40               |
| Plug Insulation Material | Polyamide/PBT      |

Table 6: Plug Specifications

## General Information

|                |                       |
|----------------|-----------------------|
| CE Conformity  | Yes (includes RoHS 2) |
| UL Conformity  | Yes                   |
| FCC Conformity | Yes                   |
| PSE Conformity | Yes                   |
| Warranty       | 1 year                |

Table 7: General Information

|   |   |
|---|---|
|  | The power supply is intended for use with the camera specified in <a href="#">Table 1</a> only. |
|---|---|

An additional power cable is required for using the power supply. Suitable power cables and power cable extensions are available from Basler AG.

Read the camera user's manual including the safety warnings before connecting the camera to the power supply. The user's manual also contains further information about pin assignments, power requirements, as well as comprehensive information about installing and using the camera.

You can download the user's manual and related documents for your camera free of charge from the Basler website: [www.baslerweb.com](http://www.baslerweb.com)

## Revision History

| Doc. ID Number | Date        | Changes                           |
|----------------|-------------|-----------------------------------|
| DG00187401000  | 16 Aug 2017 | Initial release of this document. |

## X-ON Electronics

Largest Supplier of Electrical and Electronic Components

*Click to view similar products for [Desktop AC Adapters](#) category:*

*Click to view products by [Basler](#) manufacturer:*

Other Similar products are found below :

[212A2136](#) [ADP485-01](#) [SWA-1202](#) [SWA-1501](#) [212A2220](#) [KR8-PS01](#) [1894875](#) [FWE050024B-10A](#) [820A4080G](#) [825A0057-03](#) [SWA-1704W](#) [AD5012N2LM-\(401\)](#) [TRH21A120-49E03-Level-VI](#) [FWC100024A-11A](#) [FWE050012B-10A](#) [AC-DC ADAPTER 90W w/ Cable](#) [FWA065024A-11A](#) [PSA120U-560L6](#) [96PSA-A63W18V1-M](#) [1895235](#) [PW-C0725-W2-B](#) [57-U1](#) [57-U2](#) [CENB1040A1245F02](#) [SED80N2-16.0](#) [SED80N3-16.0](#) [RFQ43442-01](#) [YS50-1903150](#) [PCM50UT04](#) [PCM50UT05](#) [Adapter 24V230W FSP230-AAAN3 WIRE FSP](#) [TRH100A240-11E12 VI](#) [TR70MB360-01E03 VI](#) [TRH50A240-11E01 VI](#) [TRE36A120-01G03 VI](#) [TRH100A180-11E12 VI](#) [AMA65DR4-120054Y](#) [AMA90DR4-240037Y](#) [AMA90DR5-120075Y](#) [AMA24DR4-120150Y](#) [AMA24DR4-150150Y](#) [AMA24DR5-120150Y](#) [AMA36DR4-120250Y](#) [TRE36A050-11G02 VI](#) [TRE36A090-11G03 VI](#) [TRE36A120-11G03 VI](#) [TRE36A135-11G03 VI](#) [TRE36A150-11G03 VI](#) [TRE36A180-11G03 VI](#) [TRE36A240-11G03 VI](#)