

Basler Accessories



POWER SUPPLIES 12 V, PLUGS 6P AND 12P

Order Numbers

2200000167

2200000168

Document Number: DG001879

Version: 02 Language: 000 (English)

Release Date: 15 January 2019

Contacting Basler Support Worldwide

Europe, Middle East, Africa

Basler AG
An der Strusbek 60–62
22926 Ahrensburg
Germany

Tel. +49 4102 463 515
Fax +49 4102 463 599

support.europe@baslerweb.com

The Americas

Basler, Inc.
855 Springdale Drive, Suite 203
Exton, PA 19341
USA

Tel. +1 610 280 0171
Fax +1 610 280 7608

support.usa@baslerweb.com

Asia-Pacific

Basler Asia Pte. Ltd.
35 Marsiling Industrial Estate Road 3
#05–06
Singapore 739257

Tel. +65 6367 1355
Fax +65 6367 1255

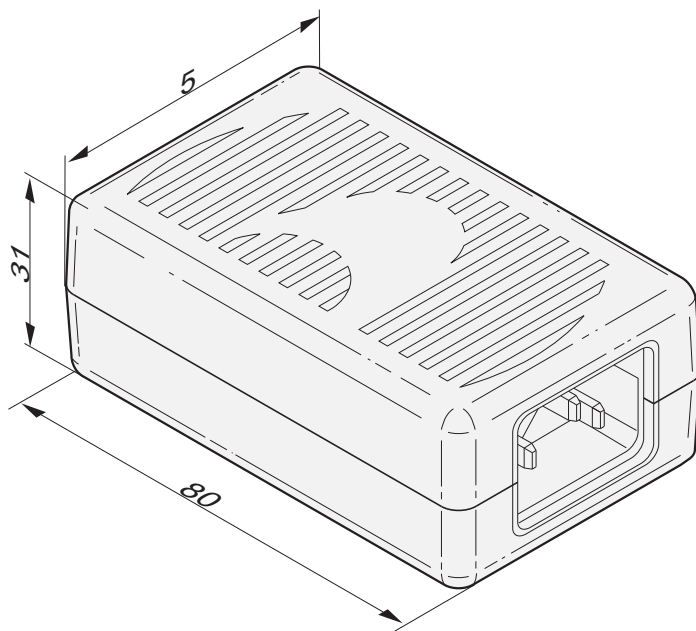
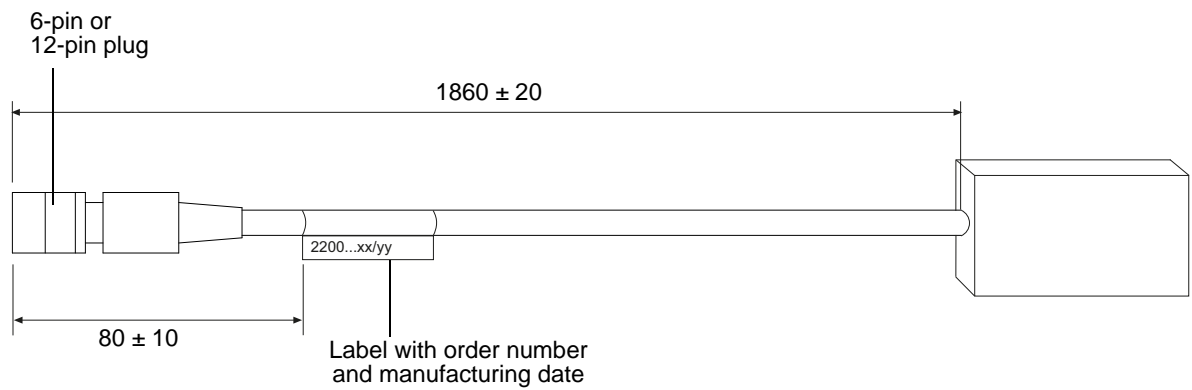
support.asia@baslerweb.com

www.baslerweb.com

All material in this publication is subject to change without notice and is copyright Basler AG.

Order Number	Description	Applicable Cameras
2200000167	Power supply 12 VDC with 6-pin plug	ace GigE, aviator CL, Basler beat, sprint, racer, runner, L300
2200000168	Power supply 12 VDC with 12-pin plug	aviator GigE, pilot, scout GigE

Table 1: Power Supply Types



Dimensions in mm

Fig. 1: Power Supply Overview

Physical Specifications

	2200000167	2200000168
DC Output Connector	6-pin plug for applicable cameras	12-pin plug for applicable cameras
AC Input Connector	IEC 60320 C14	
Housing Dimensions	80.6 mm x 50.0 mm x 31.1 mm ± 1.0 mm	
Housing Material	94V-0 Polycarbonate	
Cable Diameter	5.5 mm max.	
Minimum Bending Radius (Cable)	40 mm, fixed installation	
Minimum Number of Bending Cycles (Cable)	None (for fixed installation only)	
Suitable for Drag Chain Applications	No	
Suitable for Robotics Applications	No	

Table 2: Physical Specifications

Electrical Specifications

		2200000167	2200000168
AC Input	Voltage Range	100–240 VAC	
	Current	0.5 A max.	
	Frequency Range	50–60 Hz	
DC Output	Voltage	12 VDC ± 5 %	
Isolation Input/Output		4242 VDC	
Earth Leakage Current		< 3.5 mA @ 240 VAC	
Turn-on Delay		1 s typical	
Inrush Current		30 A @ 115 VAC to 60 A @ 230 VAC	
Hold-up Time		8 ms @ full load	
Safety		PELV (Protective Extra-Low Voltage) LPS (Limited Power Source)	
Overvoltage at Output		Protected	
Short Circuit at Output		Protected (Auto Recovery)	

Table 3: Electrical Specifications

Grounding Information

When using this power supply in your application environment, note that there is a direct connection between the camera housing and the Protected Earth (PE) pin of the power supply. See Fig. 2 for details.

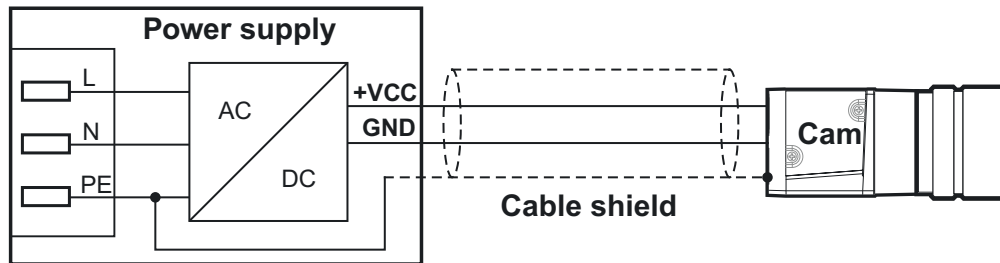


Fig. 2: Grounding Overview

Environmental Specifications

	2200000167	2200000168
Operating Temperature Range	0–40 °C	
Humidity	10–90 %, relative, non-condensing	

Table 4: Environmental Specifications

General Specifications

	2200000167	2200000168
MTBF	200,000 hrs @ 25 °C ambient temperature	
Energy Efficiency	Energy Star tier 2 (North America), ECP tier 2 (China), MEPS tier 2 (Australia), Code of Conduct (Europe)	

Table 5: General Specifications

Plug Specifications


	2200000167	2200000168
Durability	> 100 mating cycles	
Protection Rating	IP40	
Plug Insulation Material	Polyamide/PBT	

Table 6: Plug Specifications

General Information

	2200000167	2200000168
CE Conformity	Yes (includes RoHS 2)	
UL Conformity	Yes	
CCC Conformity	Yes	
SAA Conformity	Yes	
Warranty	1 year	

Table 7: General Information

	The power supply is intended for use with the cameras specified in Table 1 only.
---	--

An additional power cable is required for using the power supply. Suitable power cables and power cable extensions are available from Basler AG.

Before connecting the camera to the power supply, read the topic about your camera in the *Basler Product Documentation* (AW001406). That topic contains important safety information as well as information about pin assignments, power requirements, installation and use of the camera.

You can download the *Basler Product Documentation* and related documents for your camera free of charge from the Basler website: www.baslerweb.com

Revision History

Doc. ID Number	Date	Changes
DG00187901000	16 Aug 2017	Initial release of this document.
DG00187902000	15 Jan 2019	Updated the AC input current information in Table 3 .

X-ON Electronics

Largest Supplier of Electrical and Electronic Components

Click to view similar products for [Desktop AC Adapters](#) category:

Click to view products by [Basler](#) manufacturer:

Other Similar products are found below :

[212A2136](#) [ADP485-01](#) [SWA-1202](#) [SWA-1501](#) [212A2220](#) [432703037451](#) [KR8-PS01](#) [1894875](#) [FWE050024B-10A](#) [820A4080G](#) [825A0057-03](#) [SWA-1704W](#) [AD5012N2LM-\(401\)](#) [TRH21A120-49E03-Level-VI](#) [FWC100024A-11A](#) [FWE050012B-10A](#) [AC-DC ADAPTER 90W w/ Cable](#) [FWA065024A-11A](#) [PSA120U-560L6](#) [96PSA-A63W18V1-M](#) [1895235](#) [PW-C0725-W2-B](#) [57-U1](#) [57-U2](#) [CENB1040A1245F02](#) [SED80N2-16.0](#) [SED80N3-16.0](#) [RFQ43442-01](#) [YS50-1903150](#) [PCM50UT04](#) [PCM50UT05](#) [Adapter 24V230W FSP230-AAAN3 WIRE FSP](#) [TRH100A240-11E12 VI](#) [TR70MB360-01E03 VI](#) [TRH50A240-11E01 VI](#) [TRE36A120-01G03 VI](#) [TRH100A180-11E12 VI](#) [AMA65DR4-120054Y](#) [AMA90DR4-240037Y](#) [AMA90DR5-120075Y](#) [AMA24DR4-120150Y](#) [AMA24DR5-120150Y](#) [AMA36DR4-120250Y](#) [TRE36A050-11G02 VI](#) [TRE36A090-11G03 VI](#) [TRE36A120-11G03 VI](#) [TRE36A135-11G03 VI](#) [TRE36A150-11G03 VI](#) [TRE36A180-11G03 VI](#) [TRE36A240-11G03 VI](#)