

# Basler Accessories



## Technical Specification

### **POWER SUPPLY 12 V/36 W L-VI, Ph 2P**

**Order Number**  
**2200000169**

Document Number: DG001873  
Version: 01 Language: 000 (English)  
Release Date: 16 August 2017

## **Contacting Basler Support Worldwide**

### **Europe, Middle East, Africa**

Basler AG  
An der Strusbek 60–62  
22926 Ahrensburg  
Germany

Tel. +49 4102 463 515  
Fax +49 4102 463 599

[support.europe@baslerweb.com](mailto:support.europe@baslerweb.com)

### **The Americas**

Basler, Inc.  
855 Springdale Drive, Suite 203  
Exton, PA 19341  
USA

Tel. +1 610 280 0171  
Fax +1 610 280 7608

[support.usa@baslerweb.com](mailto:support.usa@baslerweb.com)

### **Asia-Pacific**

Basler Asia Pte. Ltd.  
35 Marsiling Industrial Estate Road 3  
#05–06  
Singapore 739257

Tel. +65 6367 1355  
Fax +65 6367 1255

[support.asia@baslerweb.com](mailto:support.asia@baslerweb.com)

[www.baslerweb.com](http://www.baslerweb.com)

**All material in this publication is subject to change without notice and is copyright Basler AG.**

Order Number	Description	Applicable Products
2200000169	Power supply 12 VDC with 2-pin Phoenix	USB 3.0 hub with order number 2000036234

Table 1: Power Supply Type

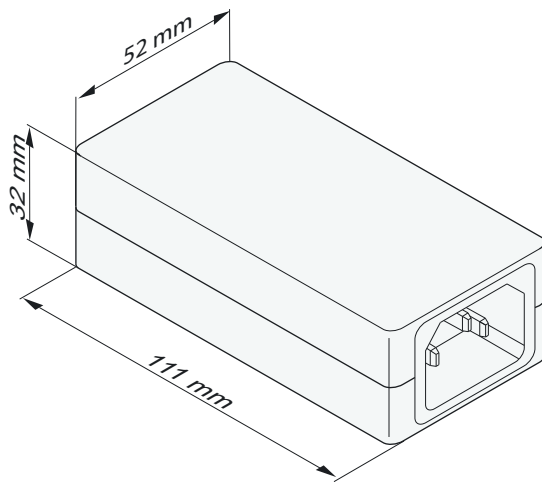
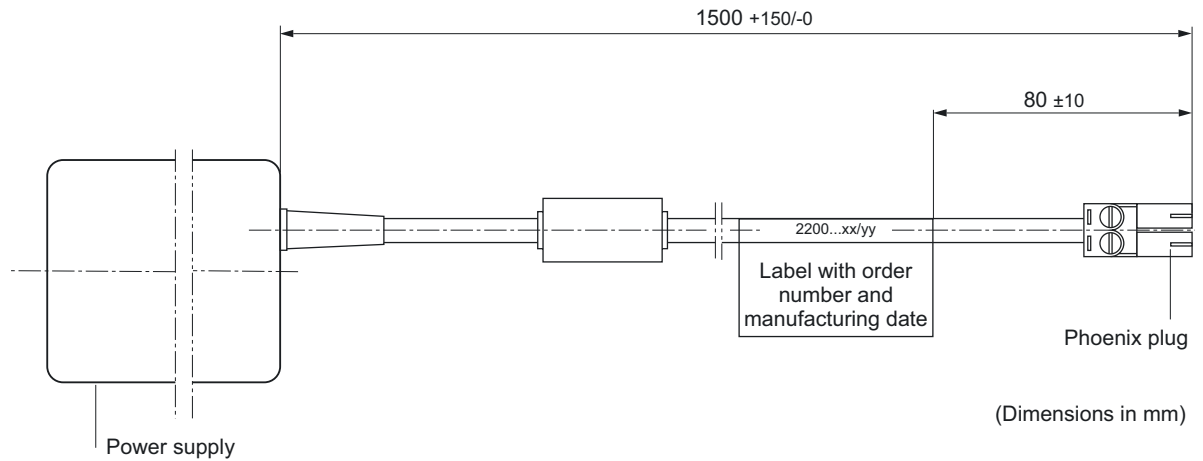


Fig. 1: Power Supply Overview

## Physical Specifications

DC Output Connector		Phoenix MC 1,5/2-ST-3,5
AC Input Connector		IEC 60320 C14
Housing	Dimensions	111.0 mm x 52,0 mm x 32.3 mm ± 1.0
	Material	94V-0 Polycarbonate
Cable	Cable Diameter	5.5 mm max.
	Minimum Bending Radius	40 mm, fixed installation
	Maximum Bending Cycles	None (fixed installation only)
	Suitable for Drag Chain Applications	No
	Suitable for Robotics Applications	No

Table 2: Physical Specifications

## Electrical Specifications

Input	Voltage Range	100–240 VAC
	Current	1.0 A max.
	Frequency Range	50–60 Hz
Output	Voltage	12 VDC $\pm$ 5 %
	Max. Load	36 W
Isolation Input/Output		4242 VDC
Earth Leakage Current		< 3.5 mA @ 240 VAC
Safety		PELV (Protected Extra-Low Voltage) LPS (Limited Power Source)
Overvoltage at Output		Protected
Short Circuit at Output		Protected (Auto Recovery)

Table 3: Electrical Specifications

## Environmental Specifications

Operating Temperature Range	0–40 °C
Humidity	10–90 %, relative, non-condensing

Table 4: Environmental Specifications

## Plug Specifications

Contact Plating	Tin
Protection Rating	IP40
Plug Insulation Material	PA

Table 5: Plug Specifications

## General Specifications

MTBF	200,000 h @ 25 °C ambient temperature
Energy Efficiency	CEC & DOE Level VI-compliant ErP Tier 2-compliant

Table 6: General Specifications

## General Information

CE Conformity	Yes (includes RoHS 2)
UL Conformity	Yes
FCC Conformity	Yes
PSE Conformity	Yes
Warranty	1 year

Table 7: General Information



This power supply is intended for use with the products specified in [Table 1](#) only.

Suitable AC power cables and power cable extensions are available from Basler AG.

Read the camera user's manual including the safety warnings before connecting the cable to the camera. The user's manual also contains further information about pin assignments, power requirements, as well as comprehensive information about installing and using the camera.

You can download the user's manual and related documents for your camera free of charge from the Basler website: [www.baslerweb.com](http://www.baslerweb.com)

## Revision History

Doc. ID Number	Date	Changes
DG00187301000	16 Aug 2017	Initial release of this document.

## X-ON Electronics

Largest Supplier of Electrical and Electronic Components

*Click to view similar products for [Desktop AC Adapters](#) category:*

*Click to view products by [Basler](#) manufacturer:*

Other Similar products are found below :

[212A2136](#) [ADP485-01](#) [SWA-1202](#) [SWA-1501](#) [212A2220](#) [432703037451](#) [KR8-PS01](#) [1894875](#) [FWE050024B-10A](#) [820A4080G](#) [825A0057-03](#) [SWA-1704W](#) [AD5012N2LM-\(401\)](#) [TRH21A120-49E03-Level-VI](#) [FWC100024A-11A](#) [FWE050012B-10A](#) [AC-DC ADAPTER 90W w/ Cable](#) [FWA065024A-11A](#) [PSA120U-560L6](#) [96PSA-A63W18V1-M](#) [1895235](#) [PW-C0725-W2-B](#) [57-U1](#) [57-U2](#) [CENB1040A1245F02](#) [SED80N2-16.0](#) [SED80N3-16.0](#) [RFQ43442-01](#) [YS50-1903150](#) [PCM50UT04](#) [PCM50UT05](#) [Adapter 24V230W FSP230-AAAN3 WIRE FSP](#) [TRH100A240-11E12 VI](#) [TR70MB360-01E03 VI](#) [TRH50A240-11E01 VI](#) [TRE36A120-01G03 VI](#) [TRH100A180-11E12 VI](#) [AMA65DR4-120054Y](#) [AMA90DR4-240037Y](#) [AMA90DR5-120075Y](#) [AMA24DR4-120150Y](#) [AMA24DR4-150150Y](#) [AMA24DR5-120150Y](#) [AMA36DR4-120250Y](#) [TRE36A050-11G02 VI](#) [TRE36A090-11G03 VI](#) [TRE36A120-11G03 VI](#) [TRE36A135-11G03 VI](#) [TRE36A150-11G03 VI](#) [TRE36A180-11G03 VI](#)