

D-subminiature Serial Cable – DB25M to DB25F

Model BB-232AMF5



www.advantech.com



KEY FEATURES

- + Fully molded backshell with strain relief for added protection
- + 26 AWG stranded conductors for flexibility
- + Thumbscrews for tool-less termination
- + Wired straight-through
- + All pins terminated

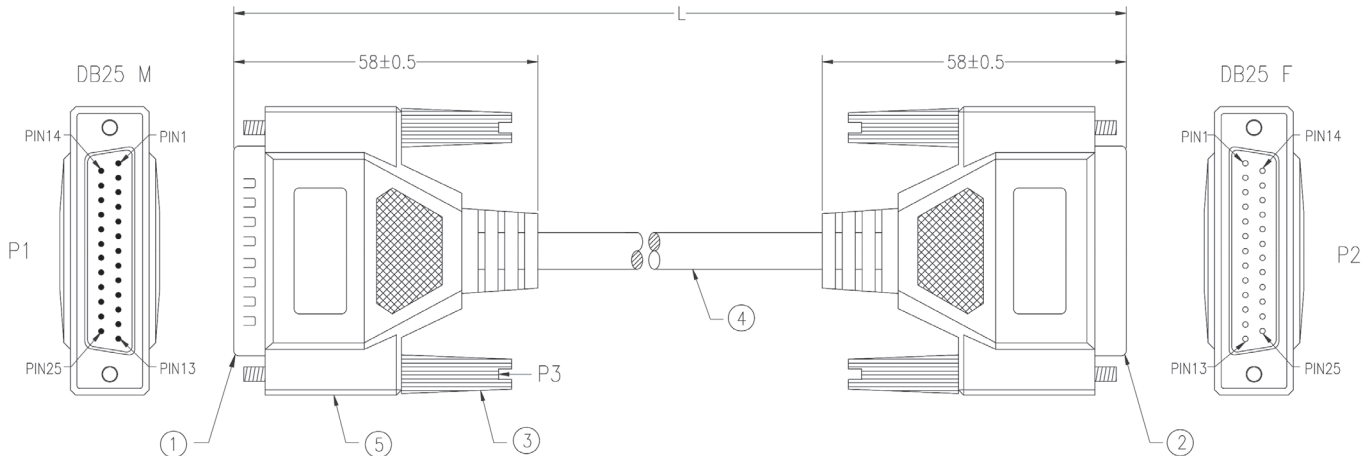
OVERVIEW

This ready-to-use serial cable features molded connectors and gold plated contacts for superior corrosion resistance to ensure solid connections for the life of the cable. Suitable for connecting 25-pin serial devices to laptops, computers and expansion/interface cards.

ORDERING INFORMATION

| MODEL NO. | CONNECTORS | LENGTH | COLOR |
|------------|---------------------------------------|--------------|-------|
| BB-232AMF5 | DB25 Male to DB25 Female Serial Cable | 1.8 m (6 ft) | Beige |

MECHANICAL DRAWING



- ① DB25 male, gold flash on contacts, blue insulator
- ② DB25 female, gold flash on contacts, blue insulator
- ③ Molded thumbscrew, #4/40, 46.5mm length, beige
- ④ Non-UL 25C 28AWG, aluminum-mylar foil shielding with drain wire, 7.0mm OD, beige jacket
- ⑤ Molded PVC beige, molded PE transparent color, aluminum foil 33x110mm, black heat shrink tube 3.0x30mm

| COLOR | DB25 M | DB25 F | COLOR | DB25 M | DB25 F |
|-------------|--------|--------|-------------------|--------|--------|
| Black | 1 | 1 | Brown/Black | 14 | 14 |
| Brown | 2 | 2 | Red/Black | 15 | 15 |
| Red | 3 | 3 | Orange/Black | 16 | 16 |
| Orange | 4 | 4 | Yellow/Black | 17 | 17 |
| Yellow | 5 | 5 | Green/Black | 18 | 18 |
| Green | 6 | 6 | Blue/Black | 19 | 19 |
| Blue | 7 | 7 | Purple/Black | 20 | 20 |
| Purple | 8 | 8 | Gray/Black | 21 | 21 |
| Gray | 9 | 9 | White/Black | 22 | 22 |
| White | 10 | 10 | Pink/Black | 23 | 23 |
| Pink | 11 | 11 | Light Green/Black | 24 | 24 |
| Light Green | 12 | 12 | Light Blue/Black | 25 | 25 |
| Light Blue | 13 | 13 | – | Shield | Shield |

All product specifications are subject to change without notice.
BB-232AMF_Cable_3419ds



X-ON Electronics

Largest Supplier of Electrical and Electronic Components

Click to view similar products for D-Sub Cables category:

Click to view products by B&B Electronics manufacturer:

Other Similar products are found below :

[1200980218](#) [1200980067](#) [RB09P09P-006](#) [RB09P09P-012](#) [RB15P15P-006](#) [RB25P25P-006](#) [RB37P37P-024](#) [172-0906](#) [SHD15P15S-012](#)
[SHD15P15S-036](#) [177-710-1-9S6K7-24MNN](#) [RB09P09P-024](#) [319285-3](#) [RS422-OM2](#) [SHD26P26S-060](#) [SHD44P44S-036](#) [73-6210MM-6](#)
[C200H-CN320-EU](#) [49725A 060S2](#) [73231-1321](#) [SDB-50AFFM-SL7A02](#) [49760A 060S2](#) [HDB-26AFFM-SL7A02](#) [30-9503P](#) [30-9522P](#) [73-](#)
[6220MM-6](#) [1200980058](#) [1200980066](#) [1200980078](#) [1200980052](#) [1200980093](#) [1200980028](#) [1200980021](#) [1200980127](#) [SDB-09AFFM-](#)
[SL7A02](#) [BB-LDVYCBL](#) [83421-9286](#) [MLDM2L-21P-6K7-18B](#) [KSFD1](#) [MM-2J2-021-SS1-41WN](#) [HDB-78AMMM-SL7A05](#) [SDB-](#)
[37AMMM-SL7A03](#) [SDB-15AFFM-SL7A05](#) [ACC-500-163-R](#) [172-1910](#) [VS-25-DSUB-20-LI-2,0](#) [VS-25-DSUB-20-LI-5,0](#) [30-9506MF](#)
[MLDM2L-25P-6K7-18B](#) [2305622](#)